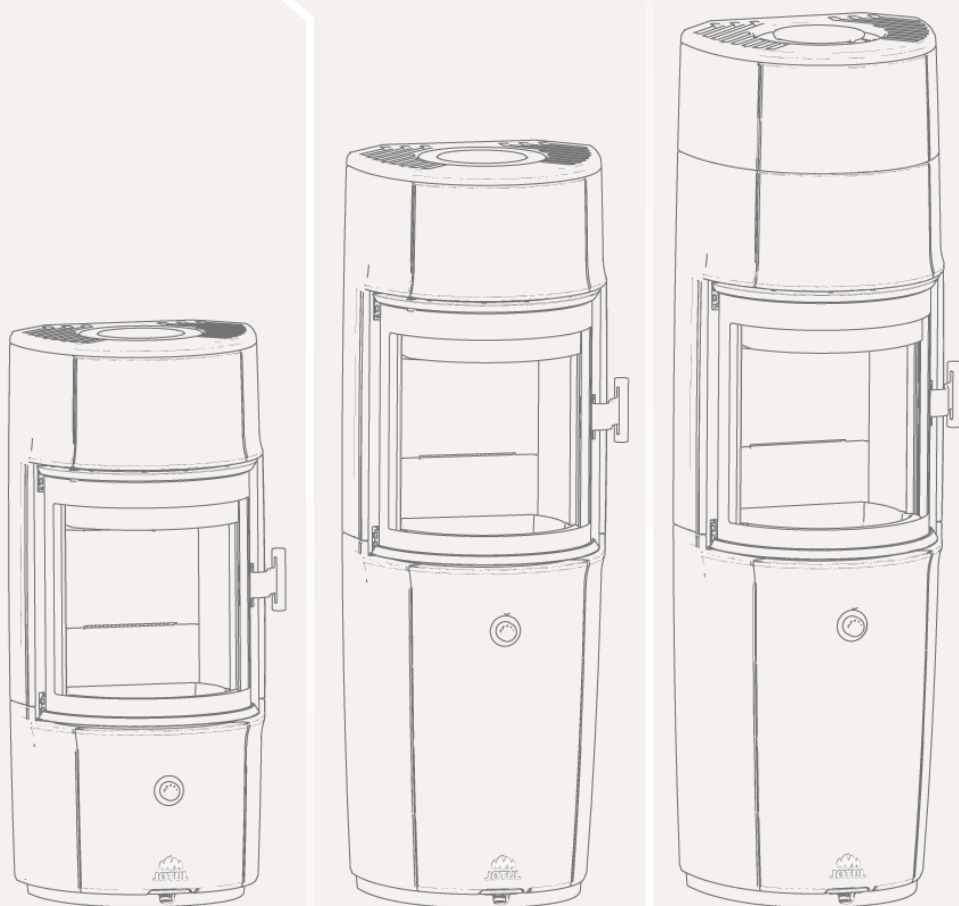


Jøtul F 171 ZENSORIC Jøtul F 174 ZENSORIC Jøtul F 176 ZENSORIC

OPERATING INSTRUCTIONS



Cat.no. 10064390-P04

Jøtul AS, Feb 2024

Jøtul AS,
P.o. box 1411
N-1602 Fredrikstad,
Norway
intl.jotul.com



Before installing the product, you must check whether the stove can be used with a balanced chimney. To do this, see page 7.

CONTENTS

RELATIONSHIP TO THE AUTHORITIES	4
--	----------

TECHNICAL DATA	4
-----------------------------	----------

SAFETY	5
---------------------	----------

FIRE PREVENTION MEASURES	5
--------------------------------	---

FLOOR	5
-------------	---

WALLS	5
-------------	---

CEILING	5
---------------	---

BALANCED DRAFT CHIMNEY COMPATABILITY ...	7
--	---

INLET FOR BALANCED CHIMNEY	7
----------------------------------	---

DIMENSIONS.....	8
-----------------	---

MINIMUM DISTANCES.....	9
------------------------	---

INSTALLATION	10
---------------------------	-----------

CHIMNEY AND FLUE PIPE.....	10
----------------------------	----

CLOSED COMBUSTION SYSTEM	11
--------------------------------	----

EXISTING CHIMNEY AND PRE-FABRICATED ELEMENT CHIMNEY	11
---	----

CONNECTION BETWEEN STOVE AND STEEL CHIMNEY	11
--	----

PRIOR TO INSTALLATION	12
-----------------------------	----

TOOLS FOR ASSEMBLY	12
--------------------------	----

LOOSE PARTS.....	12
------------------	----

REMOVAL OF TRANSPORT PROTECTION.....	14
--------------------------------------	----

ZENSORIC SETTINGS	15
-------------------------	----

BATTERY CHARGING	15
------------------------	----

HEIGHT ADJUSTMENT OF WOOD STOVE	16
---------------------------------------	----

DOOR (SELF CLOSING)	17
---------------------------	----

CLOSING THE DOOR.....	17
-----------------------	----

SMOKE OUTLET REAR EXIT	18
------------------------------	----

JØTUL F 176 ZENSORIC (HIGH TOP) ASSEMBLY	21
--	----

HEAT ACCUMULATING STONE (ACCESSORIES).	22
--	----

INSTRUCTION FOR USE	23
----------------------------------	-----------

CB-TECHNOLOGY (CLEAN BURN).....	23
---------------------------------	----

ELECTRONIC AIR CONTROL.....	23
-----------------------------	----

MANUAL AIR CONTROL.....	23
-------------------------	----

BAFFLE PLATES	23
---------------------	----

ASH CONTAINER.....	23
--------------------	----

DAILY USE	25
------------------------	-----------

ODOURS WHEN USING THE FIREPLACE FOR THE FIRST TIME.....	25
---	----

“TOP DOWN” LIGHTING THE FIRE	25
------------------------------------	----

ADDING FIREWOOD.....	25
----------------------	----

HEATING ADVICE	26
----------------------	----

WOOD CONSUMPTION	26
------------------------	----

WARNING AGAINST OVERHEATING	26
-----------------------------------	----

REMOVING ASH.....	26
-------------------	----

OPERATION UNDER DIFFERENT WEATHER CONDITIONS	26
--	----

CONDENSATION	27
--------------------	----

THE CHIMNEY’S FUNCTION	27
------------------------------	----

MAINTENANCE	28
--------------------------	-----------

CLEANING THE GLASS	28
--------------------------	----

CLEANING AND REMOVING SOOT	28
----------------------------------	----

SWEEPING THE FLUE PIPE TO THE CHIMNEY ...	29
---	----

CHECKING THE FIREPLACE.....	29
-----------------------------	----

EXTERNAL MAINTENANCE	29
----------------------------	----

RECYCLING PACKAGING	29
---------------------------	----

RECYCLING THE FIREPLACE	29
-------------------------------	----

SIDE PANEL DISASSEMBLY	30
------------------------------	----

SIDE PANEL ASSEMBLY	35
---------------------------	----

ENABLE SELF-CLOSING DOOR	39
--------------------------------	----

DISASSEMBLY TEMPERATURE GAUGE	39
-------------------------------------	----

ASSEMBLY TEMPERATURE GAUGE	40
----------------------------------	----

DISASSEMBLY DOOR SENSOR.....	41
------------------------------	----

ASSEMBLY DOOR SENSOR	42
----------------------------	----

REMOVAL OF BAFFLE PLATES AND COMBUSTION CHAMBER LINING	43
--	----

OPERATIONAL PROBLEMS - TROUBLESHOOTING.....	45
--	-----------

OPTIONAL EXTRAS	45
------------------------------	-----------

WARRANTY TERMS	46
-----------------------------	-----------

RELATIONSHIP TO THE AUTHORITIES

The installation of a fireplace must be carried out in compliance with national laws and regulations.

The process of installing the product must be in compliance with all local ordinances, including those that refer to national and European standards. The fireplace must always be installed in compliance with national laws and regulations. Always contact your local fire safety office about current regulations before installing your fireplace.

Read the Installation instructions with technical data and the General information and maintenance manual carefully before starting assembly/installation.

A rating plate made of a heat-resistant material comes with the product. This provides information on identification and documentation of the product.



Product: Jøtul Room heater fired by solid fuel		CE	
Standard	:		
Minimum distance to adjacent combustible materials:	:		
Minimum distance to adjacent non-combustible materials:	:		
Emission of CO in combustion products	:		
Flue gas temperature	:		
Nominal heat output	:		
Efficiency	:		
Operation range	:		
Fuel type	:		
Operational type	:		
The appliance can be used in a shared flue.			
Country	Classification	Certificate/standard	Approved by
Norway	Klasse II		
Sweden	occ.	SP	SP Sveriges Provnings- och Forskningsinstitut
EUR	Intermittent	EN	SP Swedish National Testing and Research Institute
Follow user's instructions. Use only recommended fuels. Montage- und Bedienungsanleitung beachten. Verwenden Sie nur empfohlenen Brennstoffen. Respectez les consignes d'utilisation. Utilisez uniquement les combustibles recommandés.			
Lot no. Year: 200x		221596	
Manufacturer: Jøtul AS POB 1441 N-1602 Fredrikstad Norway			

The serial number and year are marked on a label on all our products. Write this number in the place indicated in the Installation instructions.

This serial number must always be quoted when contacting your dealer or Jøtul.

Lot no.	Pin.
<input type="text"/>	<input type="text"/>

TECHNICAL DATA

Material	Cast iron
Surface treatment	Black paint
Type of fuel	Wood
Max. log length	30 cm*
Recommended log length	20- 23 cm
Smoke outlet	Top / back
Flue pipe dimension	Ø 150 mm
External air connection	Alu. flex- Ø 100 mm
Vekt Jøtul F 171 Zensoric Vekt Jøtul F 174 Zensoric Vekt Jøtul F 176 Zensoric	148 kg 169 kg 182,7 kg
Optional extras	Heat accumulating stones, Outside Air Connection Ø100mm
Product dimensions, clearances	See dimension sketches under the chapter "Safety".

Technical data in accordance with BS EN 13240 / NS 3058

Nominal heat output	5 kW
Flue gas volume	5,9 g/s
Chimney draught, EN 13240	12 Pa
Recommended negative pressure in smoke outlet	18 Pa
Efficiency	76% @ 5 kW
CO emissions (13% O ₂)	0.055%
CO emissions (13% O ₂)	687 mg/Nm ³
NOx (13% O ₂)	99 mg/Nm ³
OGC (13% O ₂)	38 mg C/Nm ³
Air consumption	4,9 litres/sec.
Chimney temperature, EN 13240	287°C
Dust (13% O ₂)	30 mg/Nm ³
Particle emission NS 3059	1,53 g/kg
Fuel consumption	1,8 kg/h
Max. kindling amount	2,0 kg
Nominal kindling amount	1,4 kg
Operation	Intermittent**

*Log length: Max 35 cm vertical.

**Intermittent operation means normal use of a fireplace, i.e. add more fuel as soon as the fire has burned down to embers.

Performance declaration and declaration of conformity can be found on Jøtul's website.

Register your fireplace at intl.jotul.com/warranty to get a 25-year guarantee.

SAFETY

NB: To guarantee optimal performance and safety, Jøtul recommends that its stoves are fitted by a qualified installer (see www.jotul.com for a complete list of dealers).

Any modifications to the product by the distributor, installer or consumer may result in the product and safety features not functioning as intended. The same applies to the installation of accessories or optional extras not supplied by Jøtul. This may also be the case if parts that are essential to the functioning and safety of the fireplace have been disassembled or removed.

In all these cases, the manufacturer is not responsible or liable for the product and the right to make a complaint becomes null and void.

FIRE PREVENTION MEASURES

There is a certain element of danger every time you use your fireplace. The following instructions must therefore be followed:

The minimum safety distances when installing and using the fireplaces are given in the figures on the following pages.

- Ensure that furniture and other combustible materials are not too close to the fireplace. Combustible materials must not be placed within 1100 mm of the fireplace opening.
- Allow the fire to burn out. Never extinguish the flames with water.
- The fireplace becomes hot when lit and may cause burns if touched.
- Only remove ash when the fireplace is cold. Ash can contain hot embers and should therefore be placed in a non-flammable container.
- Ash should be placed outdoors or be emptied in a place where it will not pose a potential fire hazard.

In case of a fire in the chimney:

- Close all openings and valves.
- Keep the door to the firebox closed.
- Call the fire department.
- Ensure that the fireplace and the chimney are inspected and given a green light by a professional before you start to use the fireplace again after an outbreak of fire.

FLOOR

Foundations

You must make sure that the foundation is suitable for the fireplace. See **“Technical Data”** for specified weight.

We recommend the removal of any flooring that is not attached to the foundation (“floating floors”) beneath the installation.

Requirements for protection of combustible floors under the fireplace

The product has integrated floor protection and can therefore be placed directly on a flammable floor.

Any floor slabs must be in accordance with national laws and regulations. Contact your local building authorities regarding

restrictions and installation requirements.

The function of a floor plate is to protect the floor and flammable materials against embers. Jøtul recommends that floor covering made of flammable material, such as linoleum, carpets, etc., be removed from under the floor plate.

Requirements for the protection of flammable floors in front of the fireplace

The floor plate must comply with national laws and regulations. Contact your local building authorities regarding restrictions and installation requirements.

For Norway: Minimum 300 mm in front of the door and width at least the same as the door.

WALLS

- Place the product in such a way that it is possible to clean the stove, the flue pipe and the chimney passage.
- Ensure that furniture and other combustible materials are not too close to the fireplace.
- Make sure that furniture and other household items are not so close as to get dried up by the stove.

Distance to walls made of combustible material – see the figures on the following pages.

The distances relate to a shielded flue pipe/semi-insulated pipe.

The fireplace can be installed with an uninsulated flue pipe. In this case, the flue pipe must be CE marked and the pipe’s declared distance to flammable materials must be taken into consideration.

Combustible wall protected by firewall

Distance to combustible wall protected by firewall – see the figures on the following pages.

Requirements for firewall

The firewall must be at least 110 mm thick and made of brick, concrete or lightweight concrete. Other materials and structures with satisfactory documentation may also be used, e.g. 50 mm Jøtul Firewall.

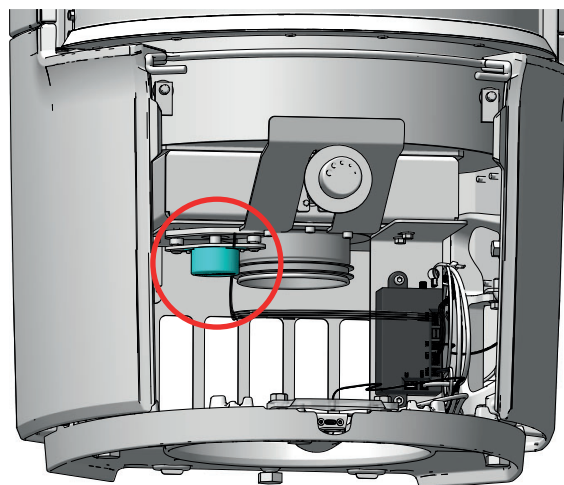
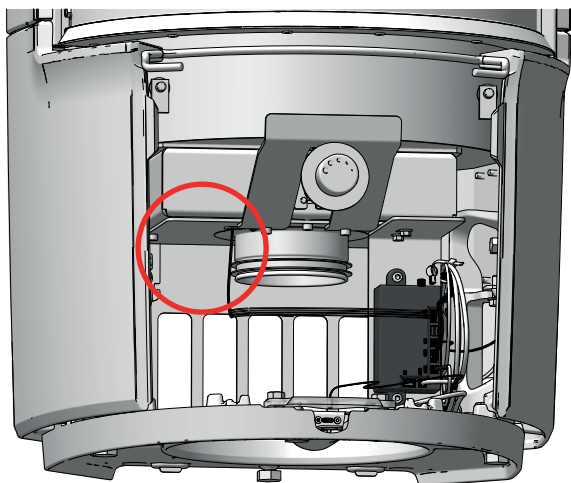
Non-flammable materials refer to materials that cannot burn, e.g. bricks, tiles, concrete, mineral wool, various silicate plates, etc. Bear in mind that a short distance to non-flammable walls can result in the drying out and discolouration of paintwork, as well as lead to the formation of cracks.

CEILING

There must be a minimum distance of **750 mm** between the fireplace and a ceiling made of a combustible material above the fireplace.

BALANCED DRAFT CHIMNEY COMPATABILITY

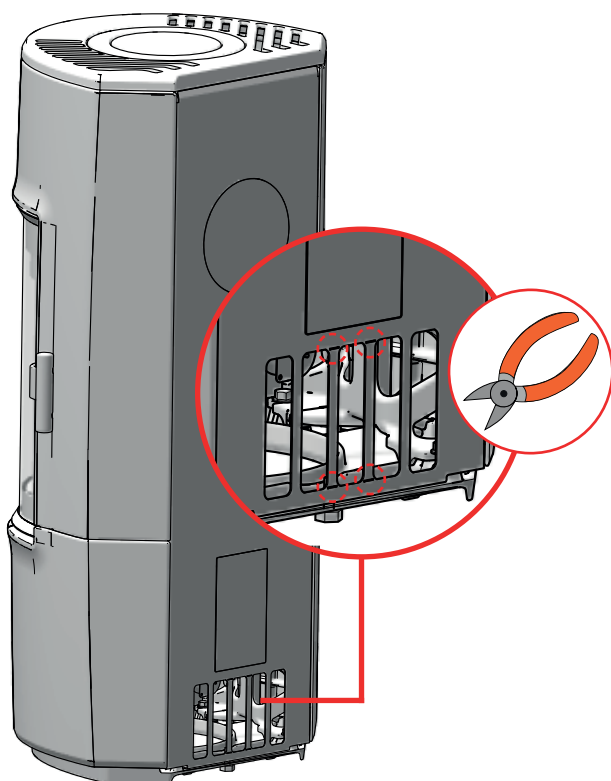
Below you can see 2 different versions of the product. Identify whether or not the motor is visible or not. If the motor is visible the product is compatible with balanced draft chimney. If the motor is not visible, it is not compatible for balanced chimney draft.



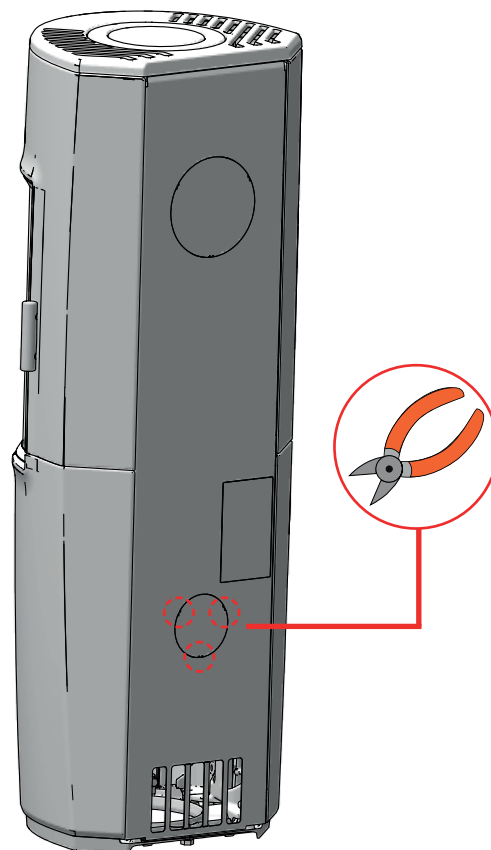
INLET FOR BALANCED CHIMNEY

Use the correct inlet when fitting a balanced draft chimney

F 171 Zensoric



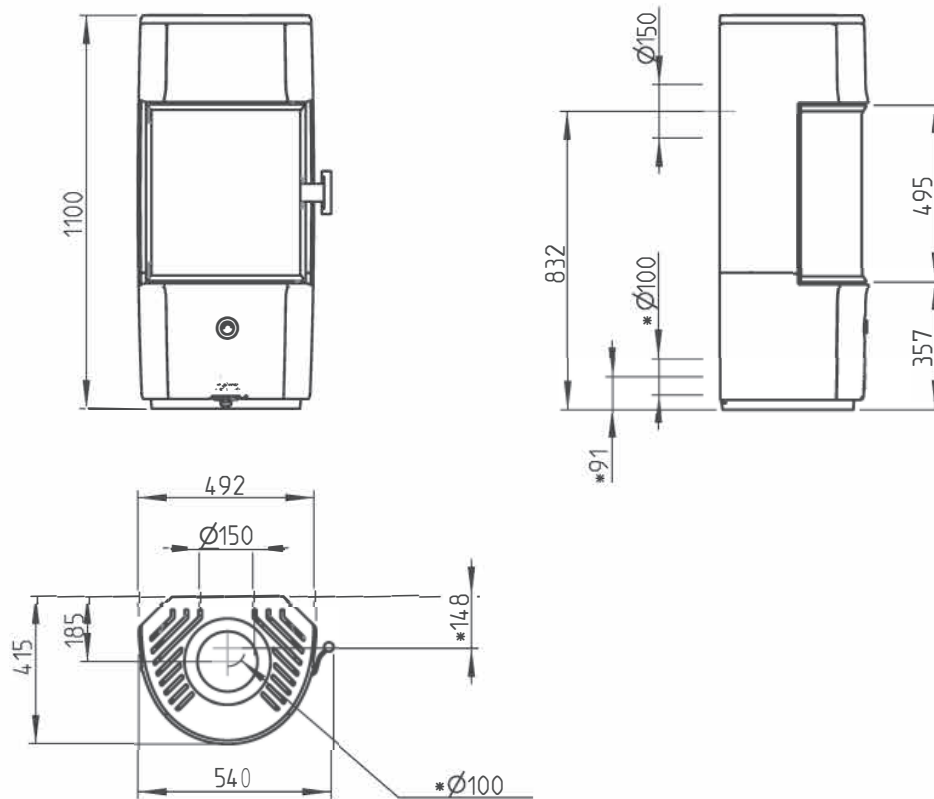
F 174, F 176 Zensoric



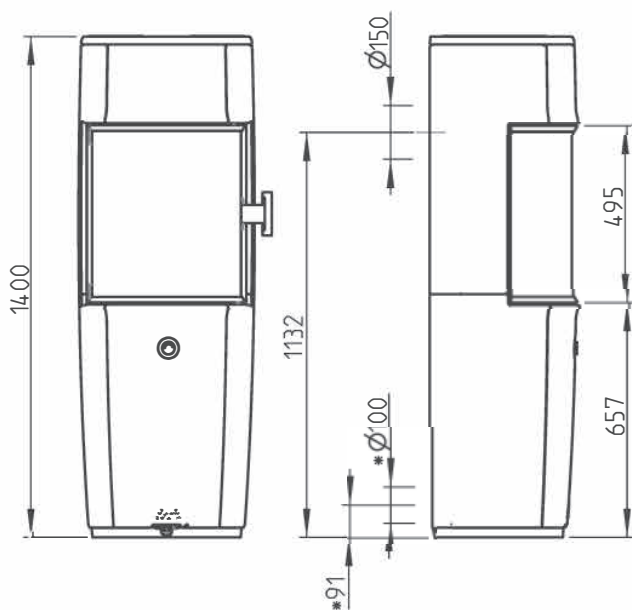
DIMENSIONS

JØTUL F 171 ZENSORIC, JØTUL F 174 ZENSORIC AND JØTUL 176 ZENSORIC

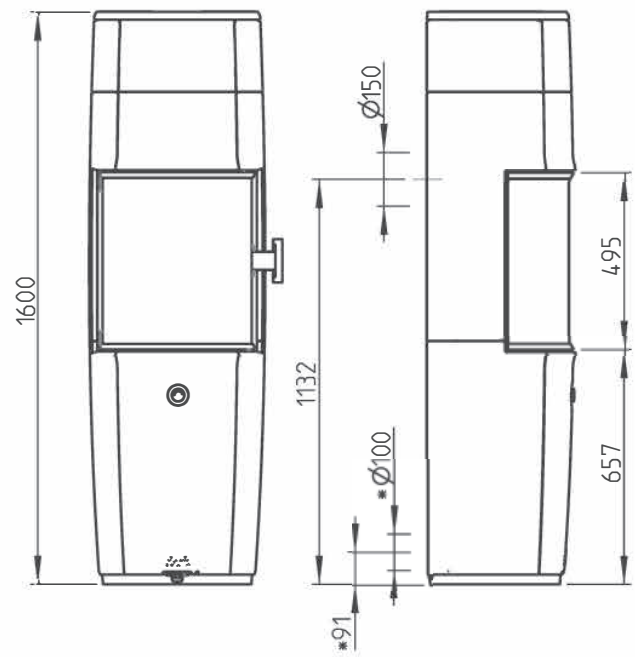
Jøtul F 171 Zensoric



Jøtul F 174 Zensoric



Jøtul F 176 Zensoric

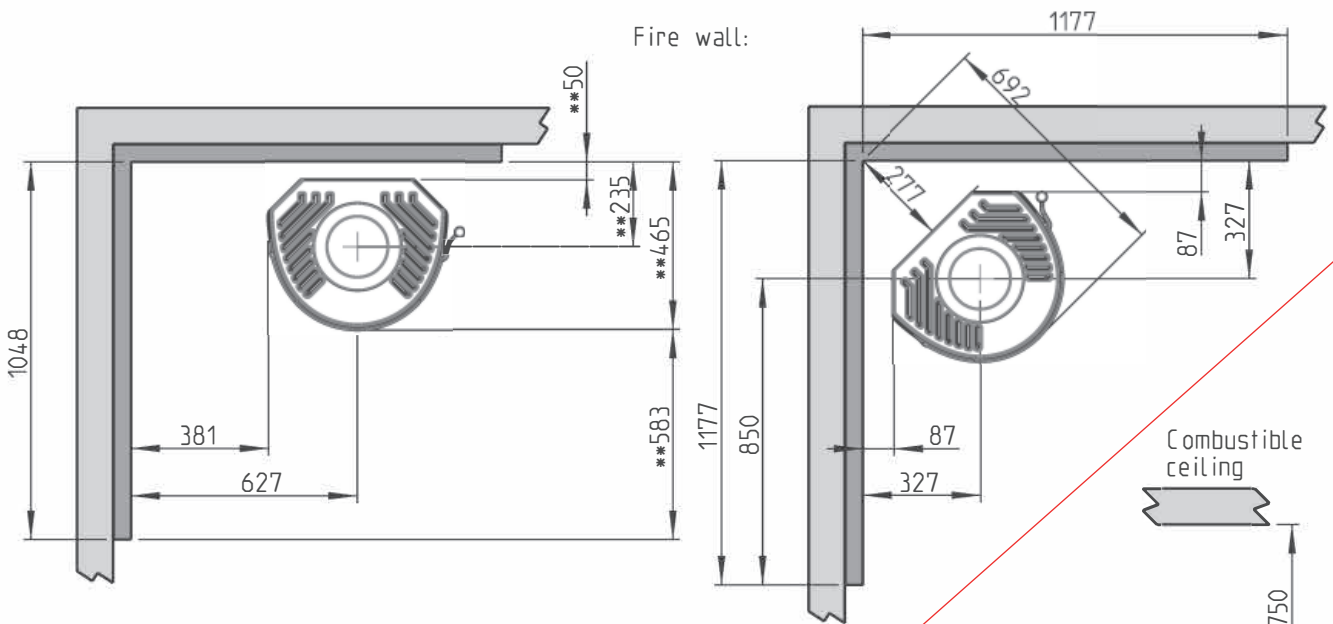
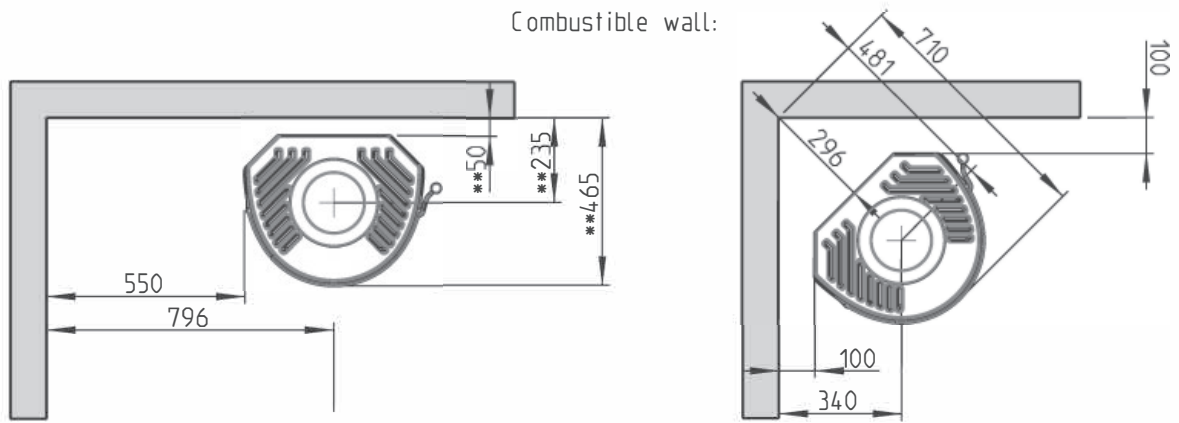


*Outside air connection $\varnothing 100$ mm

900371-P00

MINIMUM DISTANCES

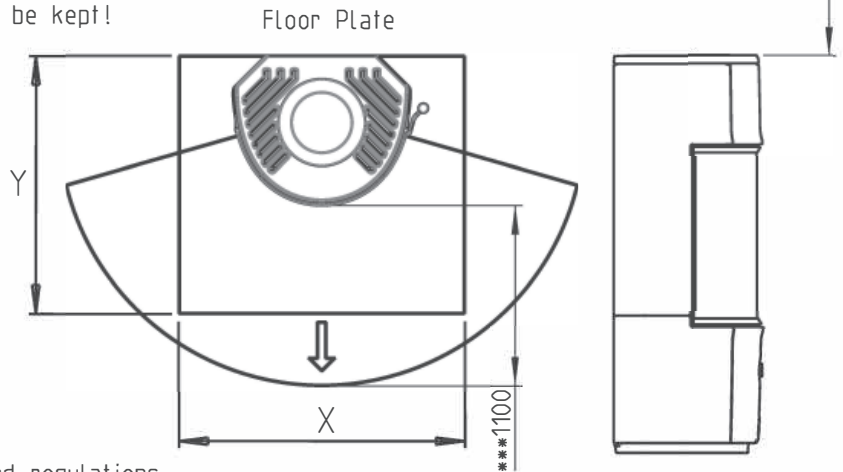
JØTUL F 171 ZENSORIC, JØTUL F 174 ZENSORIC AND JØTUL 176 ZENSORIC



**With semi-insulated flue pipe down to the top of the stove. The safety distances for the chimney and the flue pipe must be kept!

Combustible wall:

Firewall:
Eg. 50mm Jøtul Firewall.
110 mm refractory brick, or
material or material with
similar refractoriness and
insulation properties.



X/Y= According to national laws and regulations
***minimum distance to furniture/combustible material

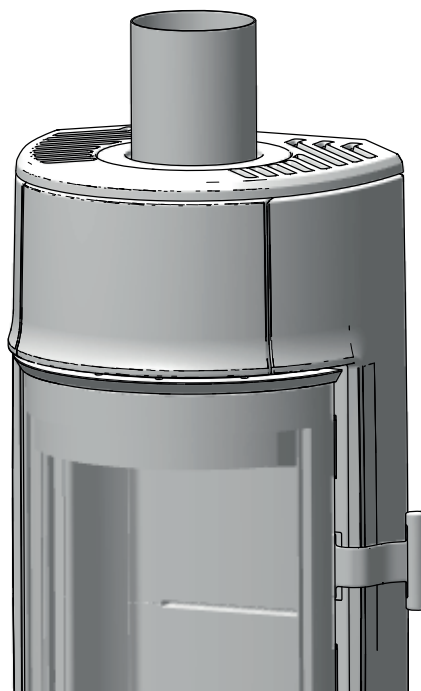
INSTALLATION

CHIMNEY AND FLUE PIPE

- The fireplace can be connected to a chimney and flue pipe approved for solid fuel fireplaces with flue gas temperatures as specified in “**Technical Data**”. If a steel chimney is used, this must be marked with T 400 and G for soot fire testing.
- We recommend a chimney with a diameter of $\varnothing 148\text{mm}$ flue pipe- 172cm^2 .
- Several solid fuel stoves can be connected to the same chimney system if the chimney cross section is adequate.
- The specified distance to combustible materials applies to this stove.
- Use a CE approved flue pipe and/or steel chimney.
- Take into account the distance from the flue pipe to combustible materials.
- The chimney must be connected in accordance with the installation instructions of the chimney supplier.
- Before a hole is made in the chimney, the fireplace should be test-mounted in order to correctly mark the position of the fireplace and the hole in the chimney. See “**Dimensional diagram and assembly distances**” for your stove for minimum dimensions.
- Use a flue pipe bend with a sweep hatch to allow sweeping.
- Numerous flue bends (and flue bends of many degrees) can affect the draught in the chimney. The same can occur in the case of long horizontal lengths. Please note that it is extremely important for connections to have a degree of flexibility. This is to prevent any movement in the installation leading to the formation of cracks.
- For recommended chimney draught, see “**Technical Data**”. For flue pipe dimensions, see “**Technical Data**”.

NB: The minimum recommended chimney length is 4 m. If the draught is too strong, a flue pipe damper can be installed and used to reduce the draught.

When installing a flue pipe damper, this must be of the type that does not close the flue pipe fully. The damper must be easy to operate, and must have a free opening of at least 20 cm^2 , or 3% of the flue pipe’s cross-section if this is larger. The position of the damper must be visible when operating the stove. If a draught regulator is installed, the requirement regarding the free cross-section does not apply, although the unit must be easily accessible for cleaning.



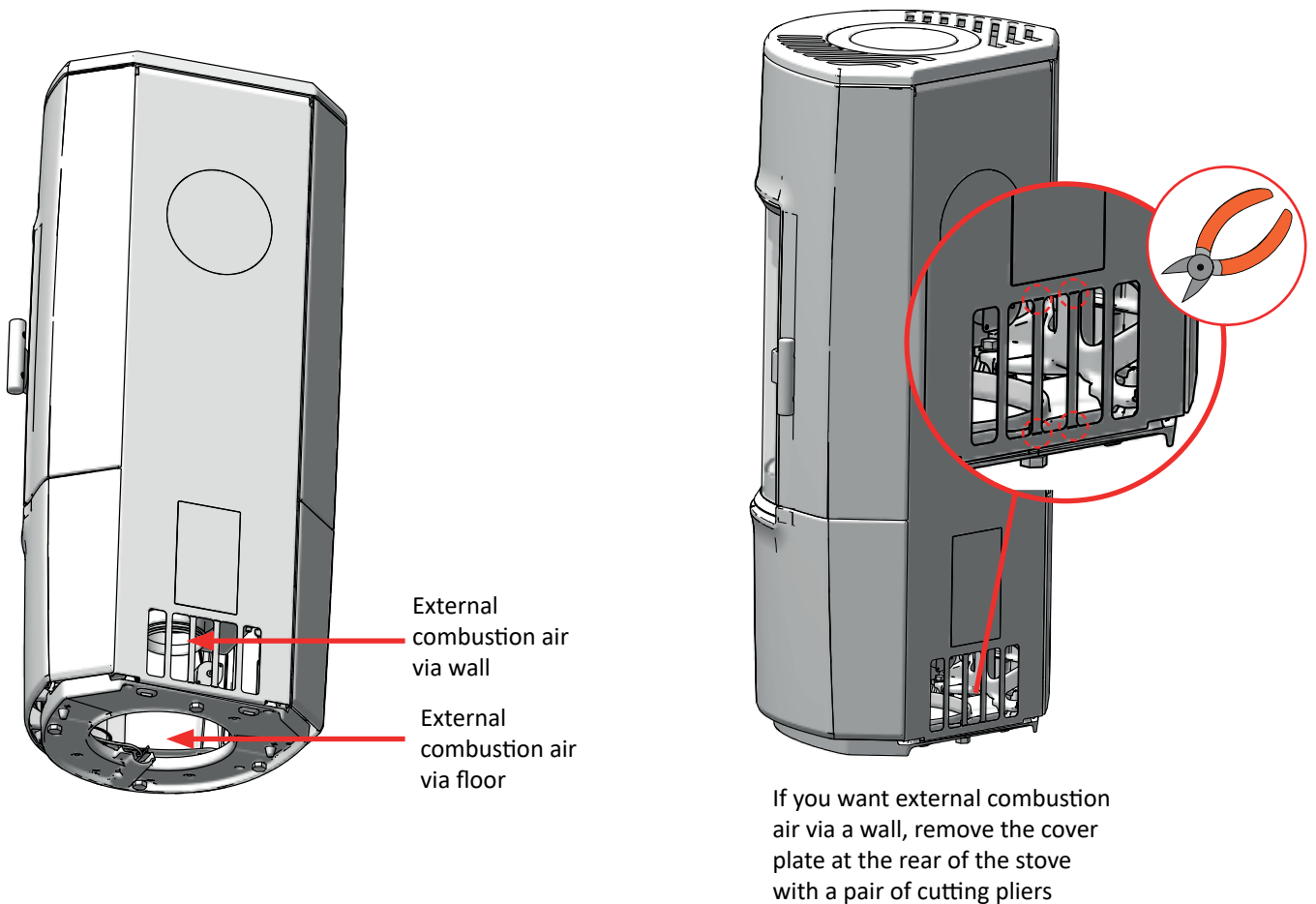
CLOSED COMBUSTION SYSTEM

You should use the closed combustion system for the wood-burning stove if you live in a newly-built, airtight home. External combustion air is connected through a ventilation pipe via the wall or floor.

We recommend mounting a valve in the ventilation pipe in order to avoid condensate in the stove and the pipe system, when the stove is not in use. It can also be an advantage to insulate the ventilation pipe.

Minimum \varnothing 100 mm ventilation pipe, maximum length: 6 metres with a maximum of one bend. We recommend smooth steel pipes.

NOTE: if the stove has a fresh air connexion or closed combustion, the ventilation pipe must be open, when the stove is in use!



EXISTING CHIMNEY AND PRE-FABRICATED ELEMENT CHIMNEY

If you intend to connect your stove to an existing chimney, it makes sense to contact an authorised Jøtul dealer, or a local chimney sweep, for advice. These experts will also let you know if your chimney needs renovating.

- When connecting a pre-fabricated element chimney, follow the manufacturer's connection instructions for the relevant chimney type.

CONNECTION BETWEEN STOVE AND STEEL CHIMNEY

Your Jøtul dealer, or local chimney sweep, can advise you on choosing a make and type of steel chimney. This ensures that the chimney will match your wood-burning stove.

PRIOR TO INSTALLATION

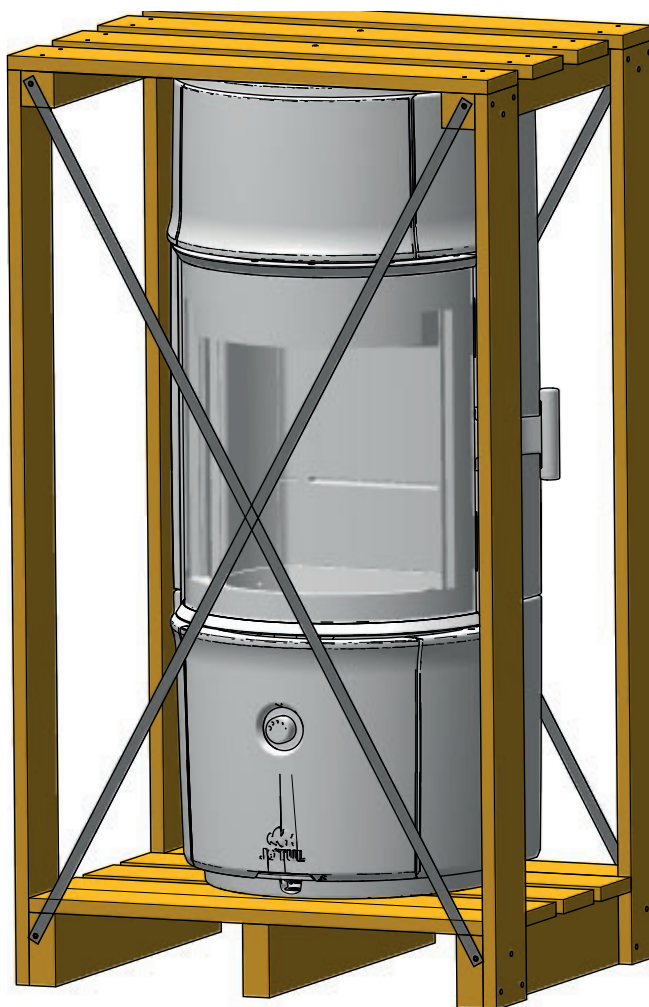
- Before installing the fireplace, check it carefully for any signs of damage
- The product is heavy! Ask someone to help you when positioning and installing it. We recommend using a lifting device.
- Make sure that furniture and other household items are not so close as to get dried up by the stove.

TOOLS FOR ASSEMBLY

- Level
- Pliers
- Crowbar
- 8mm, 10mm & 13mm socket wrench
- 2,5mm, 4mm & 5mm Allen key

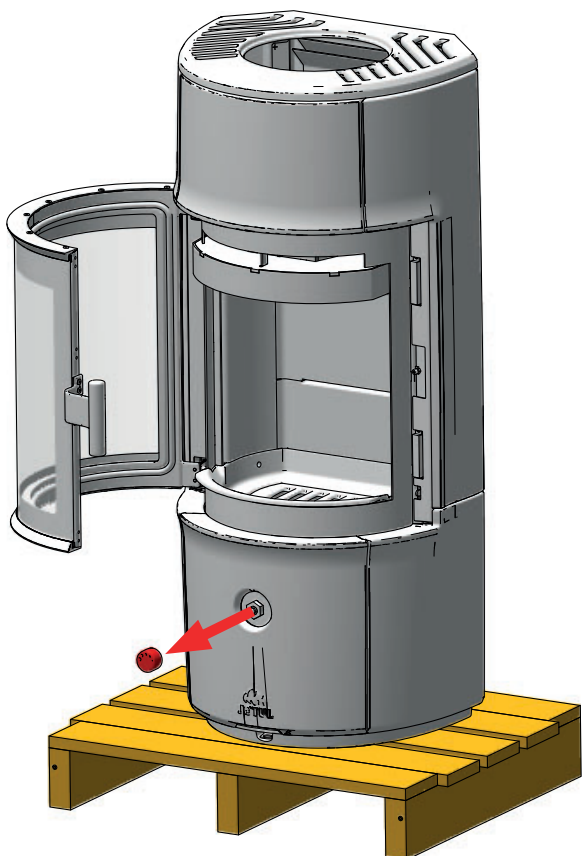
LOOSE PARTS

- Glove
- Gasket for flue
- Ring for top cover
- USB-C charging cable for Zensoric control
- Steel brush
- Flue outlet for flue pipe
- Decorative cover for top plate
- 2 pcs. screws M5x10mm for ring
- Kit-folder



PRIOR TO INSTALLATION

1

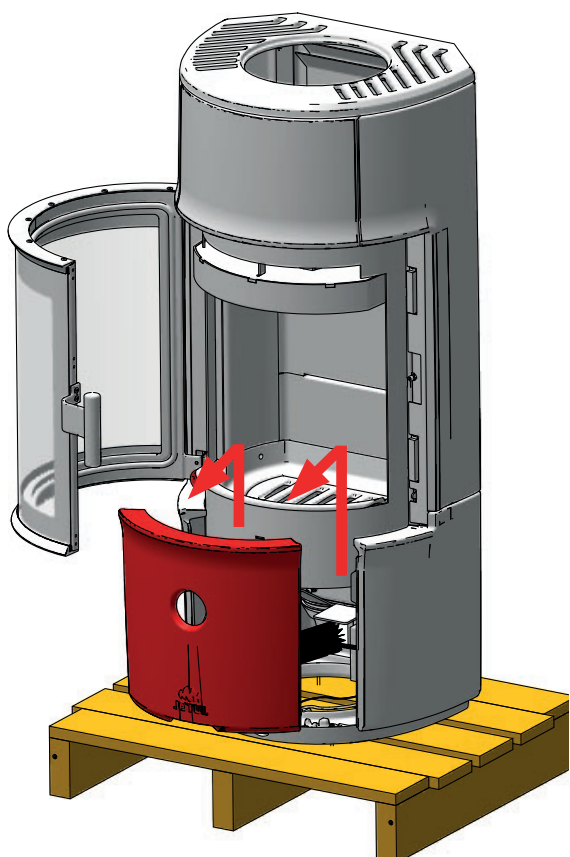


2

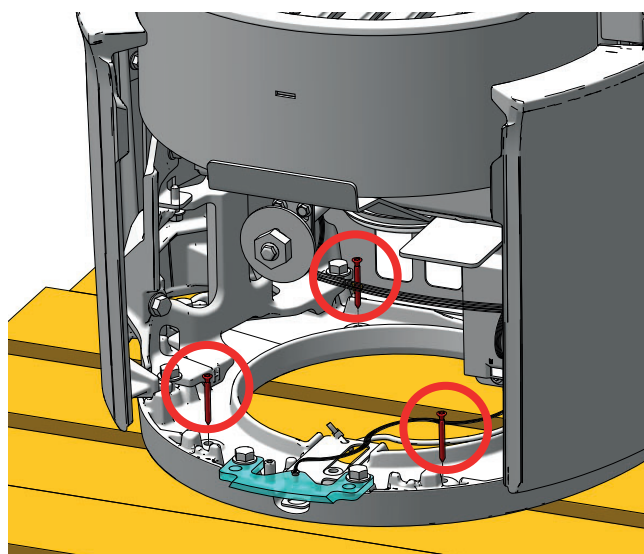
TIP: Place the knob by the door to keep the door open.



3

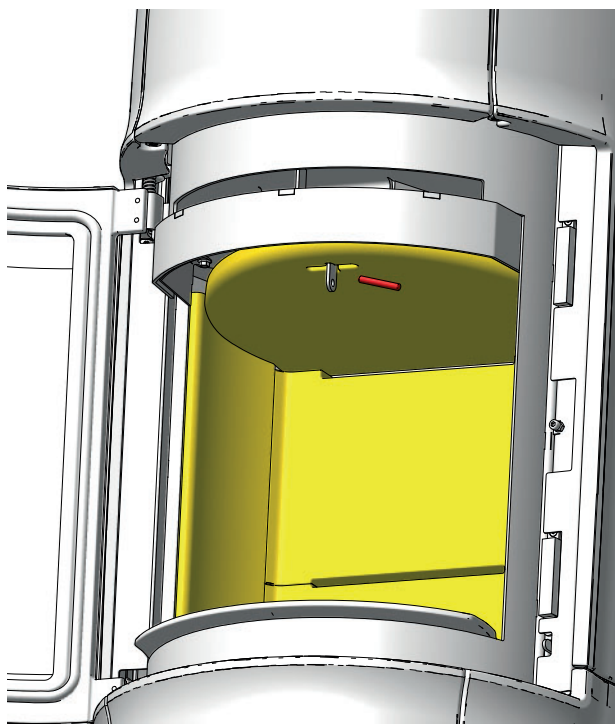


4

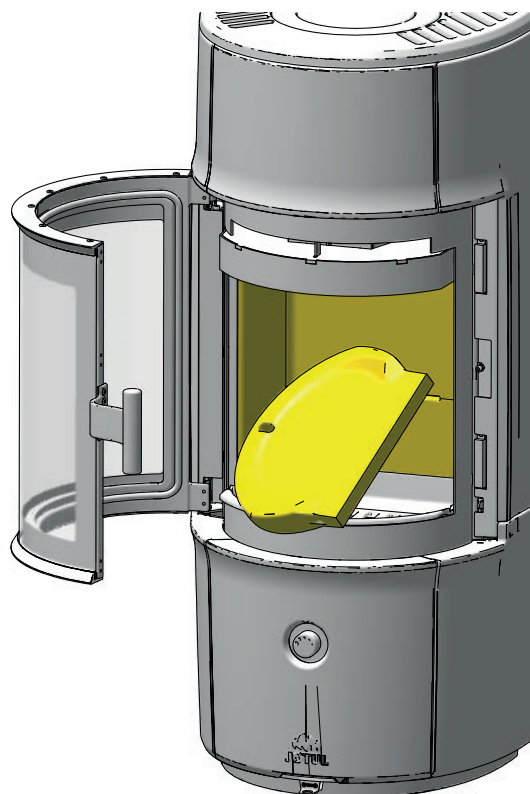


REMOVAL OF TRANSPORT PROTECTION

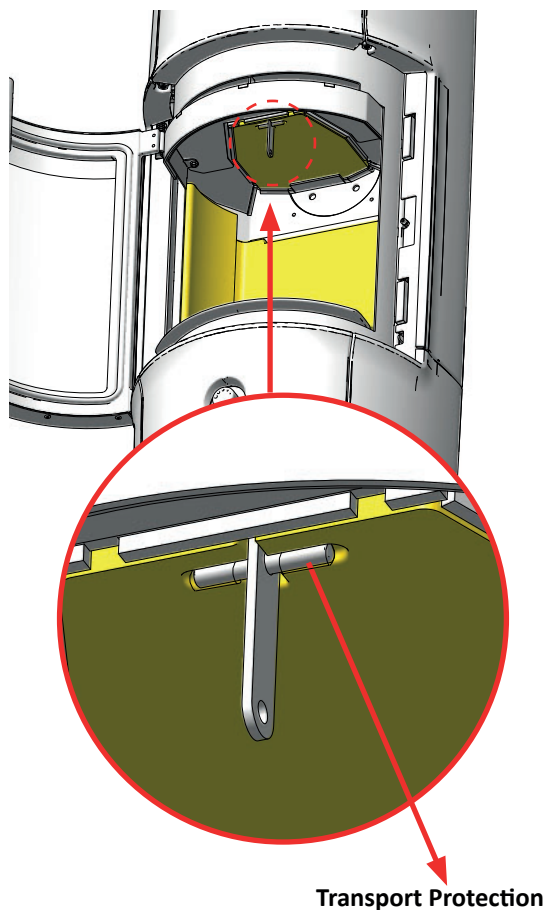
- 1** Lift the lower baffle plate, remove transport protection and the pin



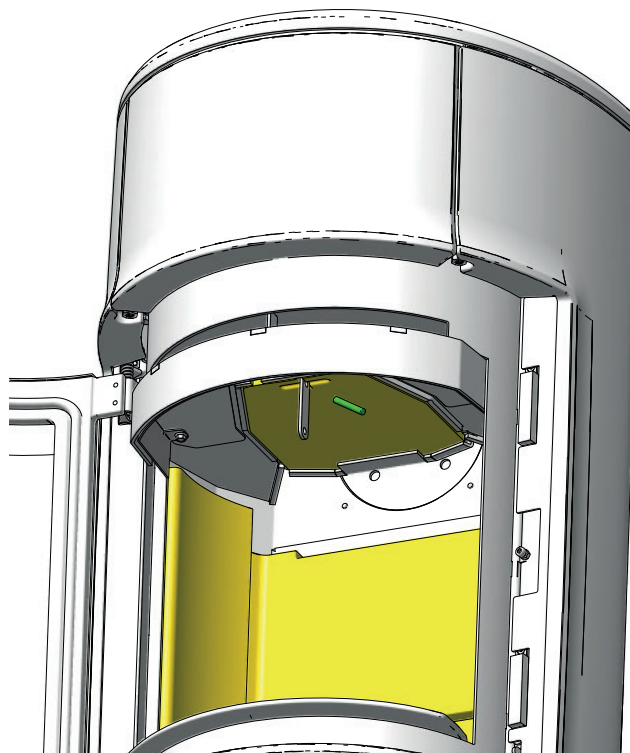
- 2** Turn the guide plate 90° and lower it out through the combustion chamber



- 3** Lift the upper baffle plate and remove protection



- 4** Mount again the upper baffle plate with the accompanying pin and the lower baffle plate are fitted afterwards



ZENSORIC SETTINGS

The electronic air control on Jøtul F 170 Zensoric run in 3 levels:

Step 1 - Suitable for softwood, e.g. fir, pine, poplar, willow

Step 2 - Suitable for between hardwoods, e.g. birch, maple, or mixed hardwood

Step 3 - Suitable for hardwood, e.g. beech, ash, oak

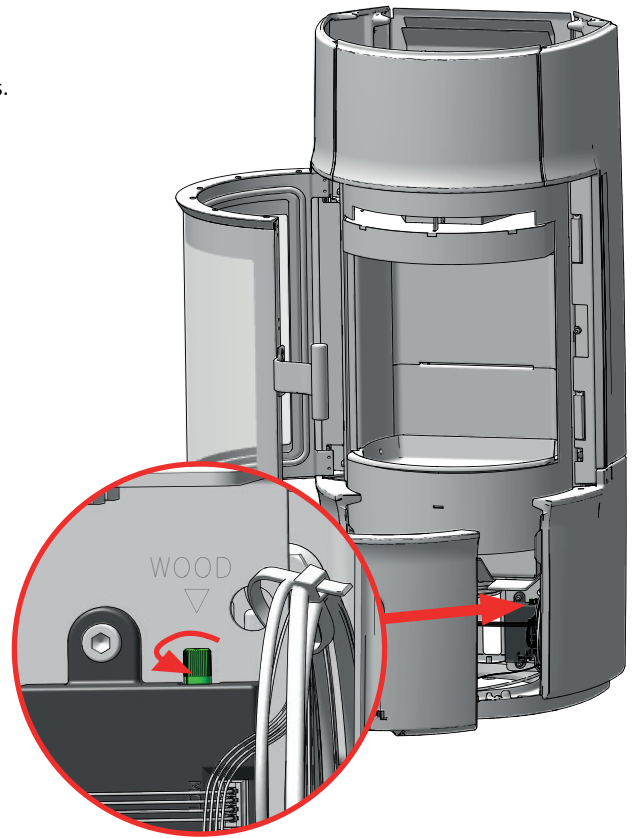
The stove is delivered set to Step 2 - which suits the needs of most consumers.

If you want to change the setting, turn the air control button:

Step 1 - Turn counterclockwise - 1 white blink

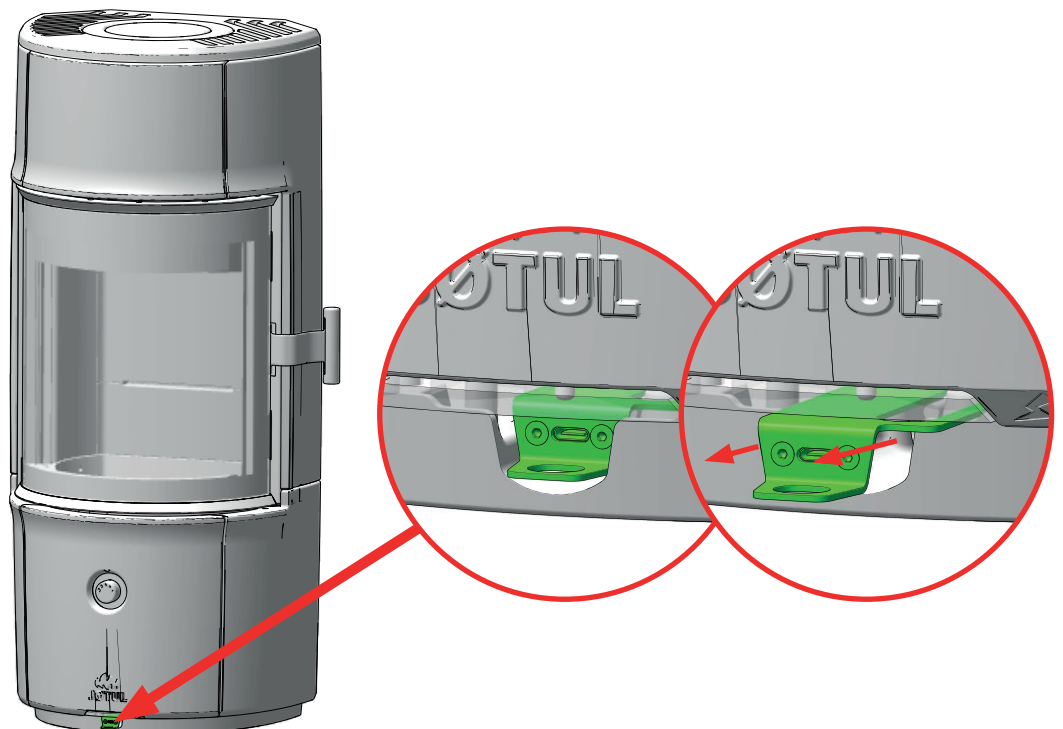
Step 2 - Set to center position - 2 white blink

Step 3 - Turn clockwise - 3 white blink



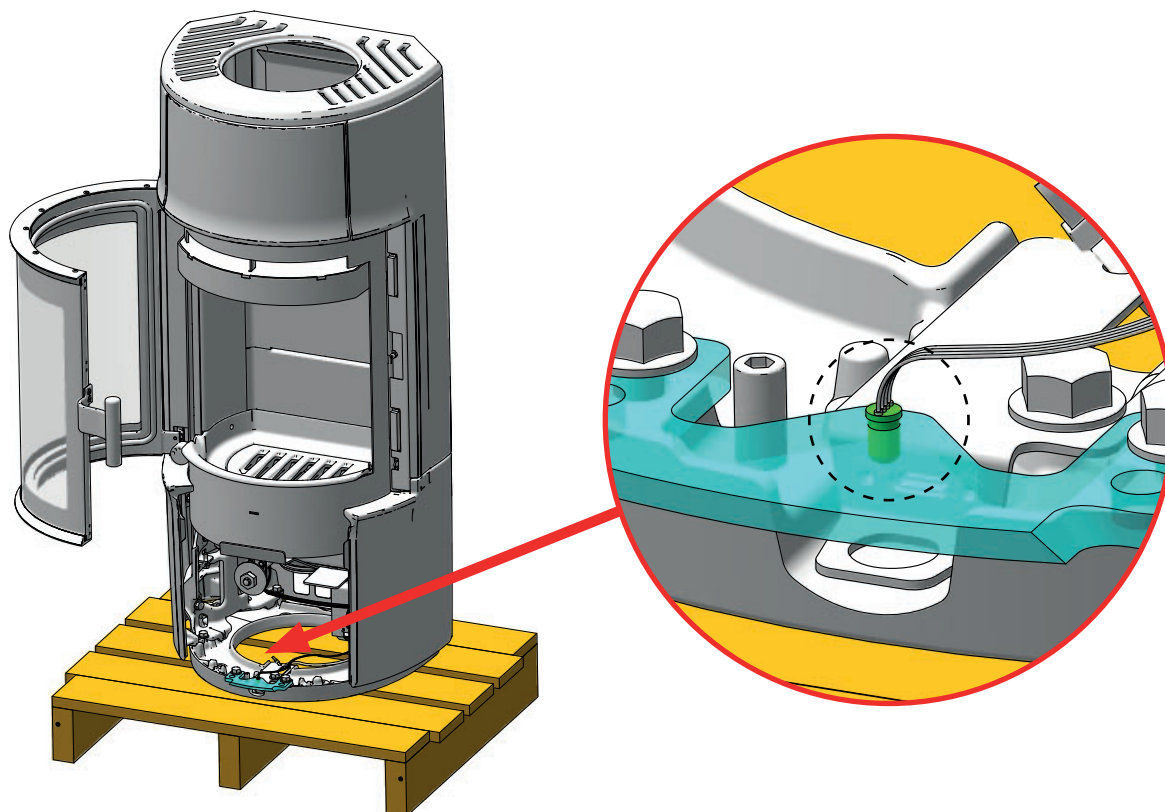
BATTERY CHARGING

Before firing in the stove, the electronic air control - Zensoric must be charged by connecting the supplied USB-C charger plug at the bottom of the stove and the 5V power supply in the socket.



PRIOR TO INSTALLATION

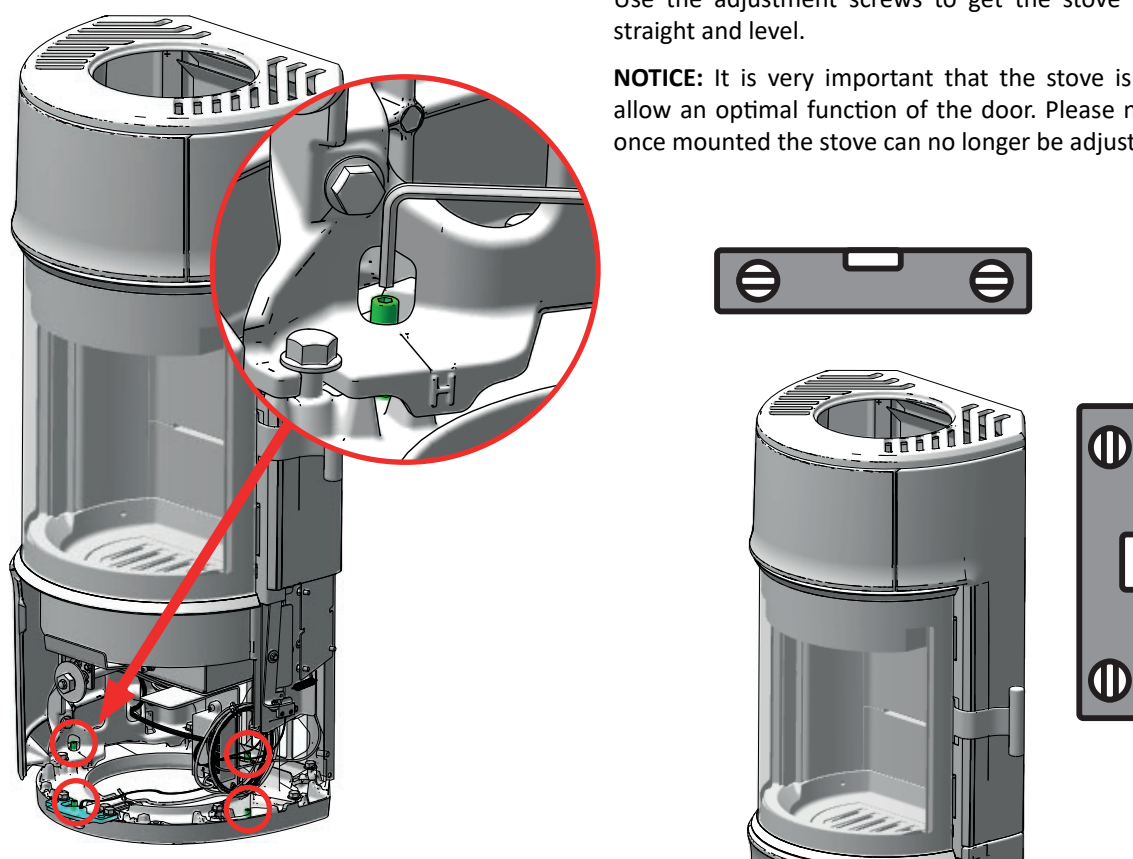
Make sure the diode is in place as shown below.



HEIGHT ADJUSTMENT OF WOOD STOVE

The stove has four adjustment screws under the stove. Use the adjustment screws to get the stove to stand straight and level.

NOTICE: It is very important that the stove is level to allow an optimal function of the door. Please note that once mounted the stove can no longer be adjusted!



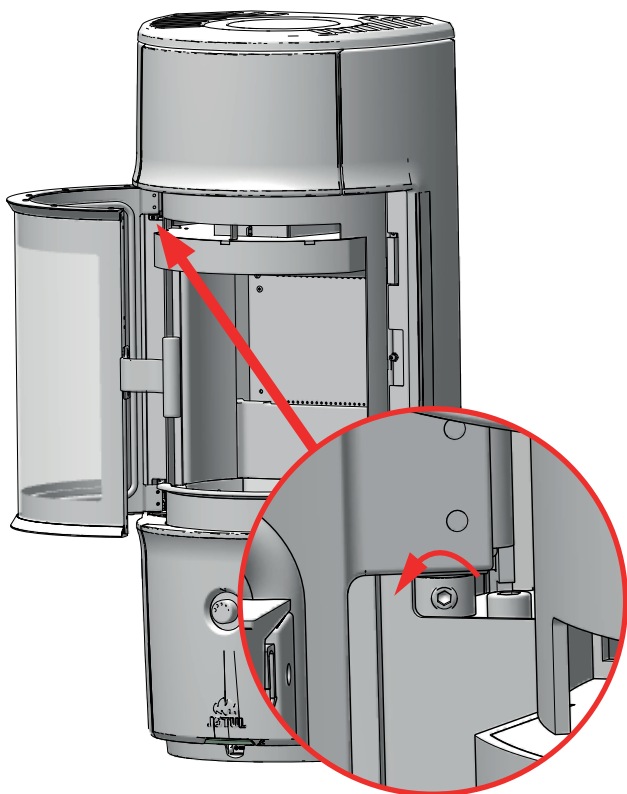
DOOR (SELF CLOSING)

The oven door is supplied with a self-closing function.

If you do not want self-closing, loosen the pinion screw by turning the screw counter-clockwise with an Allen key (2.5 mm)

If it is necessary to tighten the self-closing spring, see page 39 for activation of self-closing.

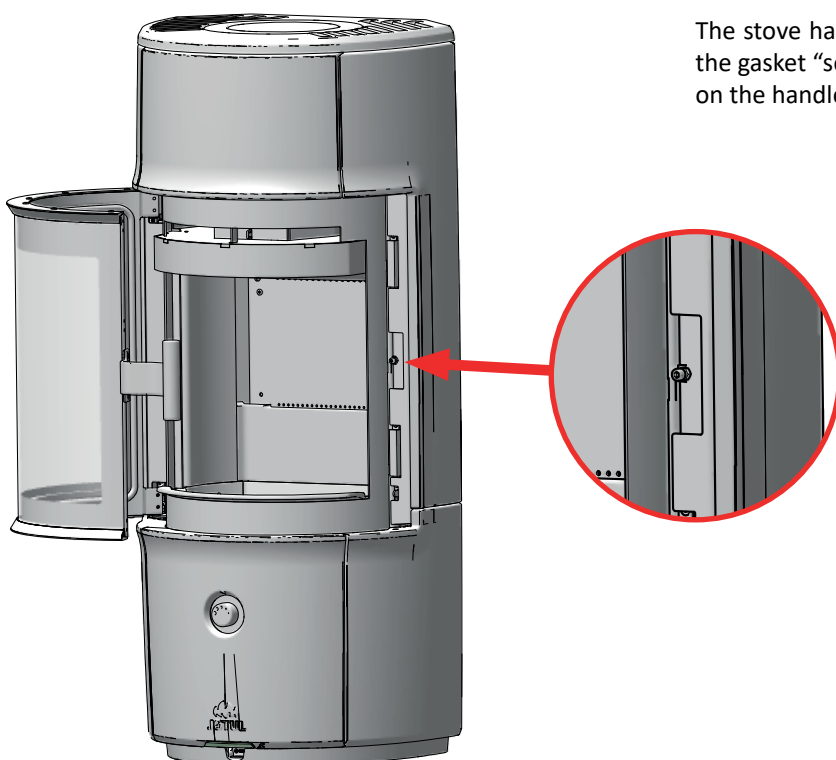
If you have a top outlet, the side panel must first be removed. See page 30 under Maintenance for dismantling the side panel.



CLOSING THE DOOR

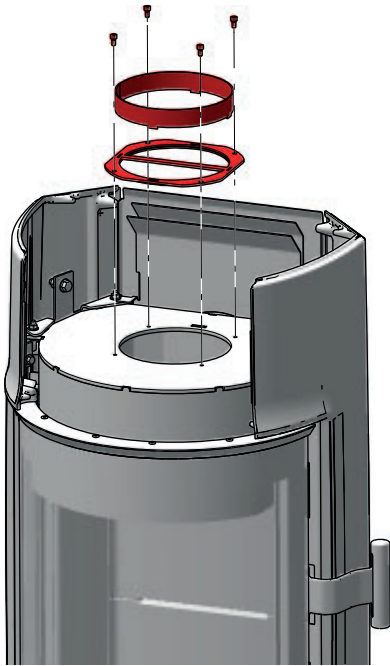
NOTICE: It is very important that the door closes tightly to the stove to prevent soot on the glass.

The stove has to be fired a couple of times, before the gasket "settles". Therefore, give the door a push on the handle so that it hits the screw in the side.

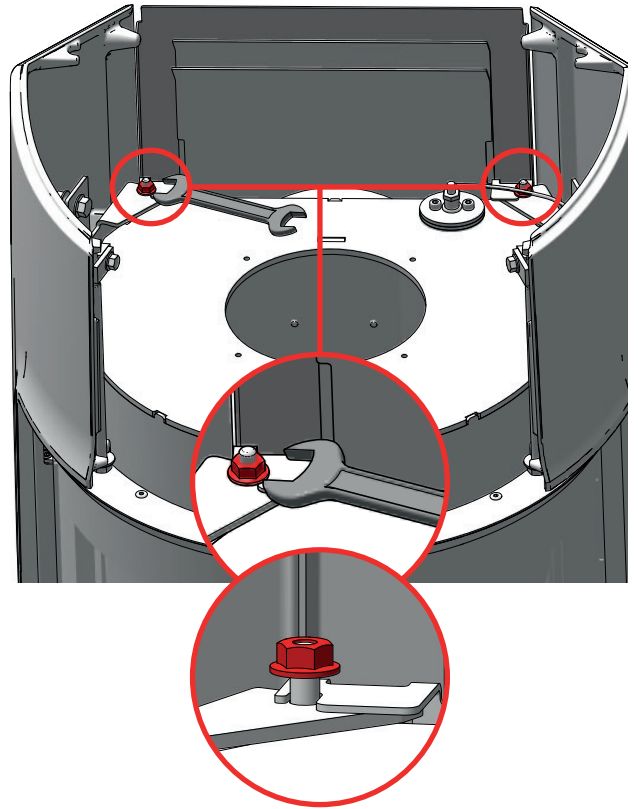


SMOKE OUTLET REAR EXIT

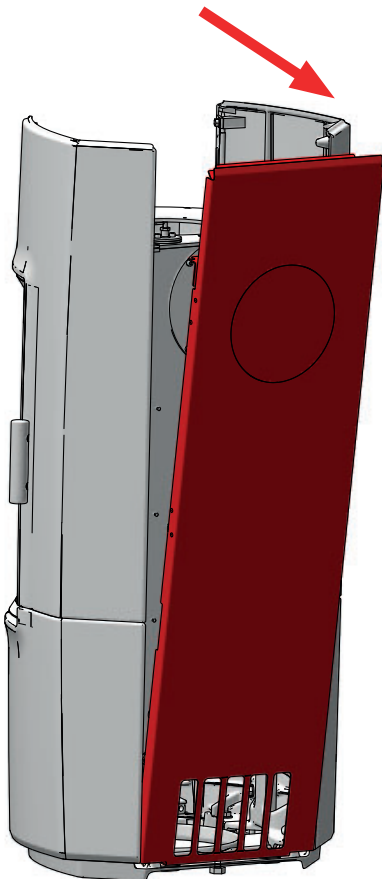
1



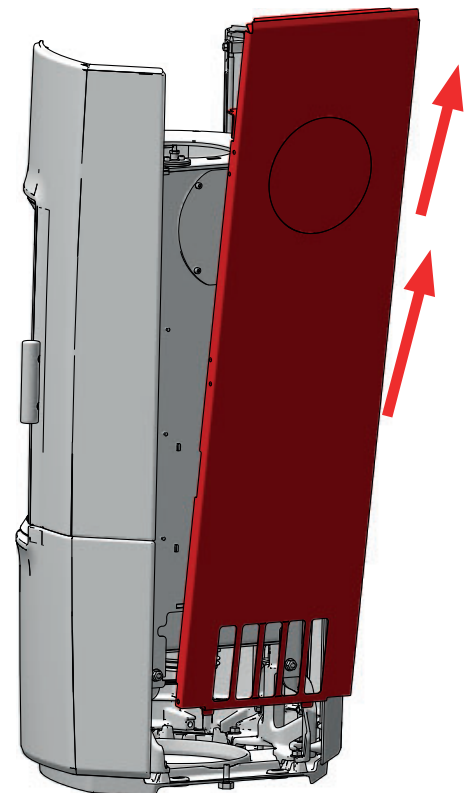
2



3

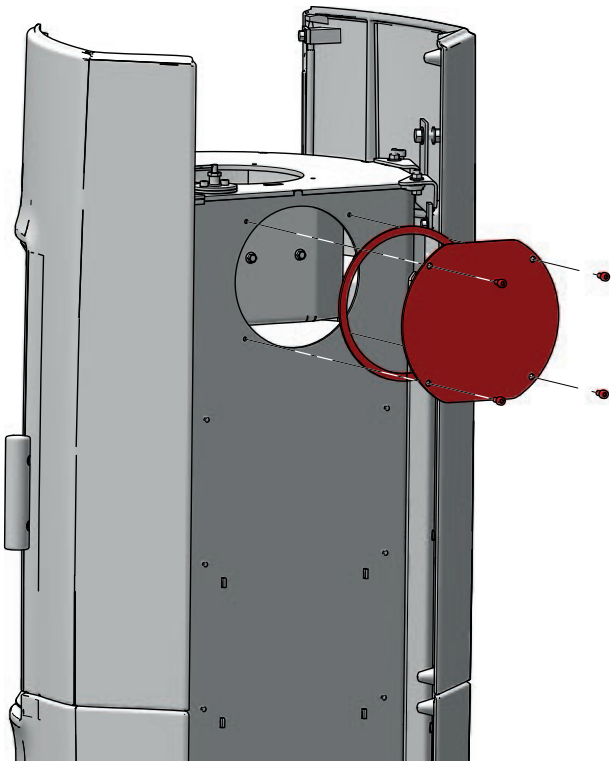


4

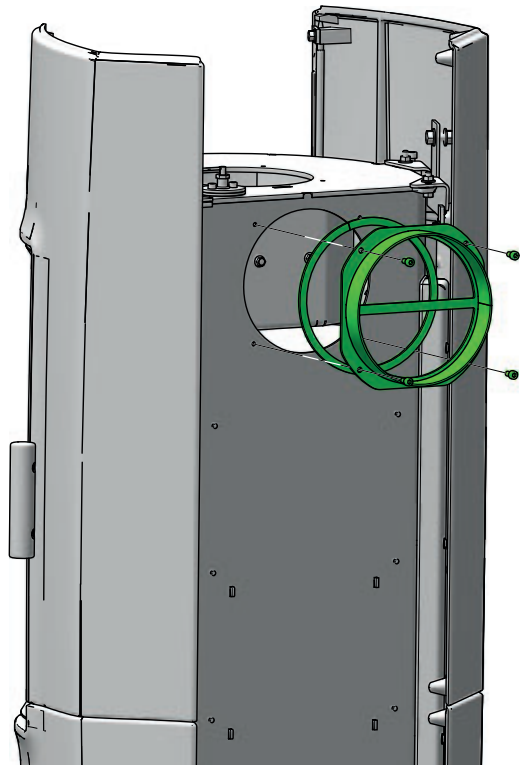


SMOKE OUTLET REAR EXIT

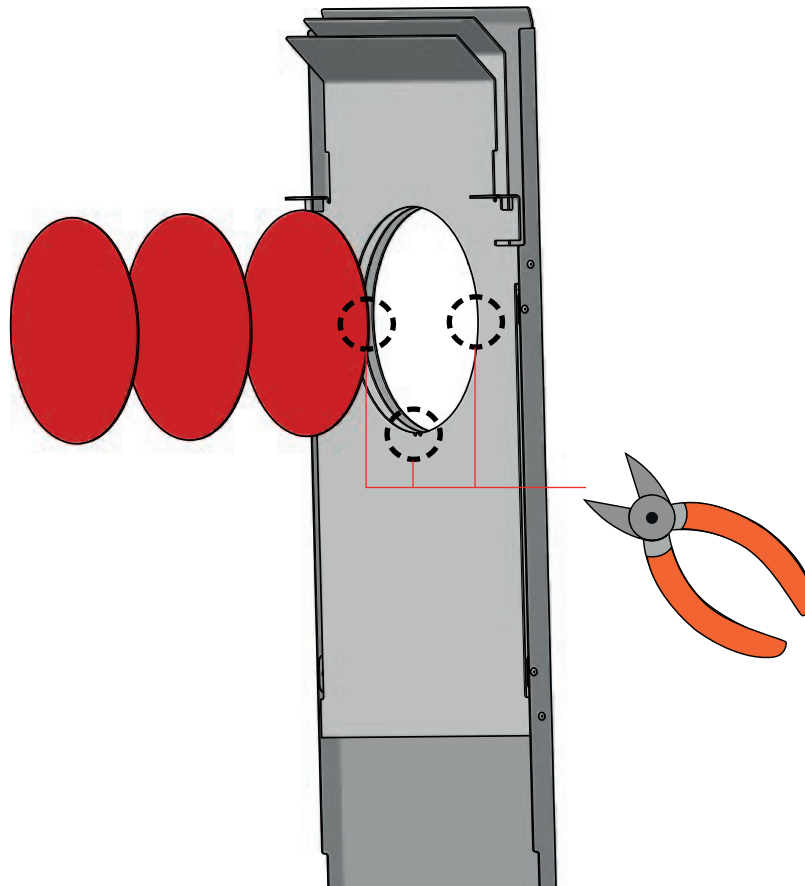
5



6

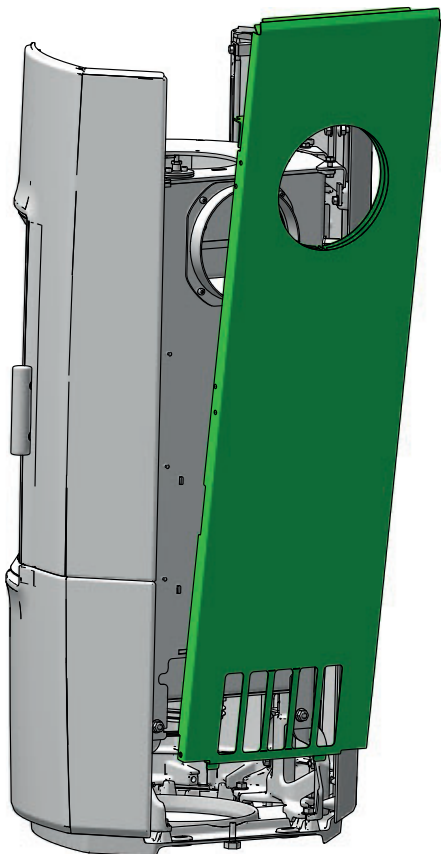


7

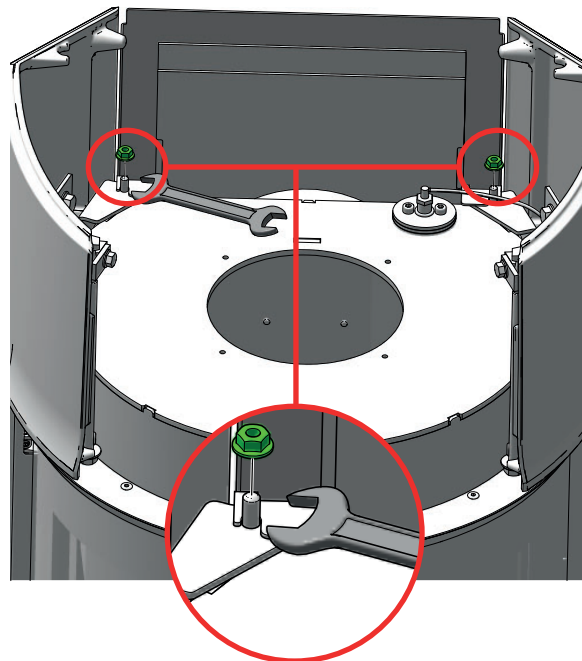


SMOKE OUTLET REAR EXIT

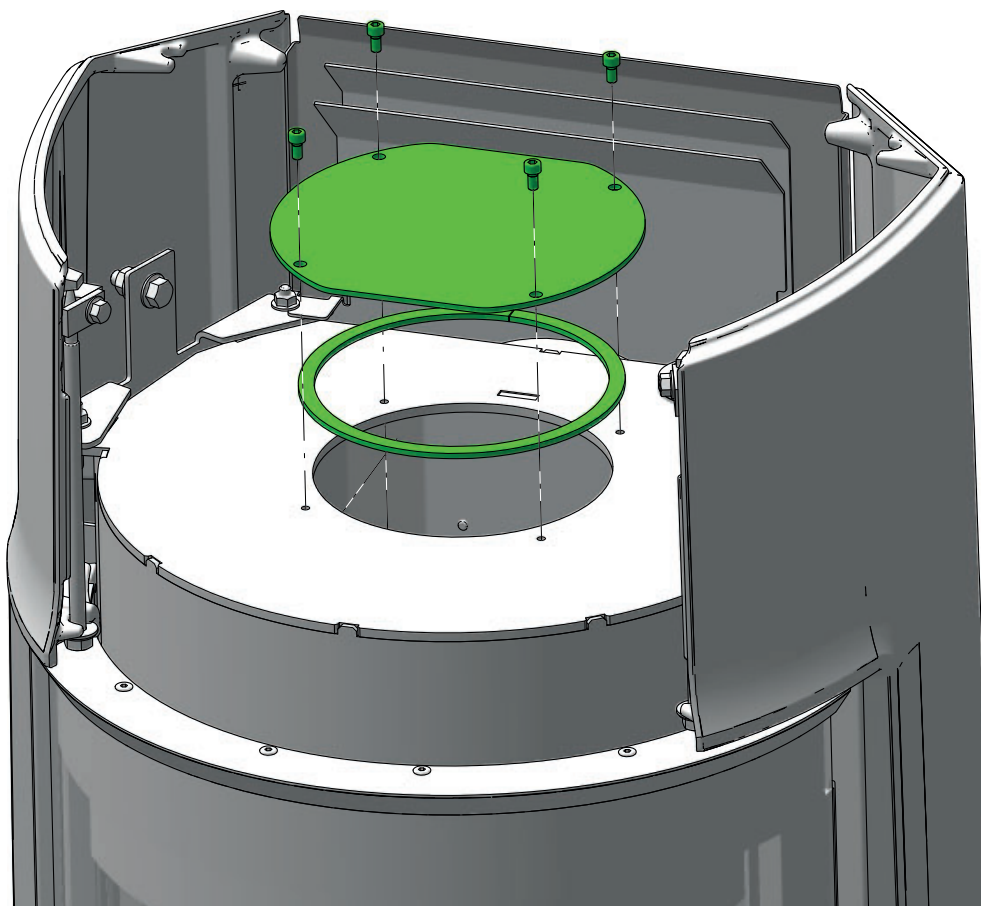
8



9

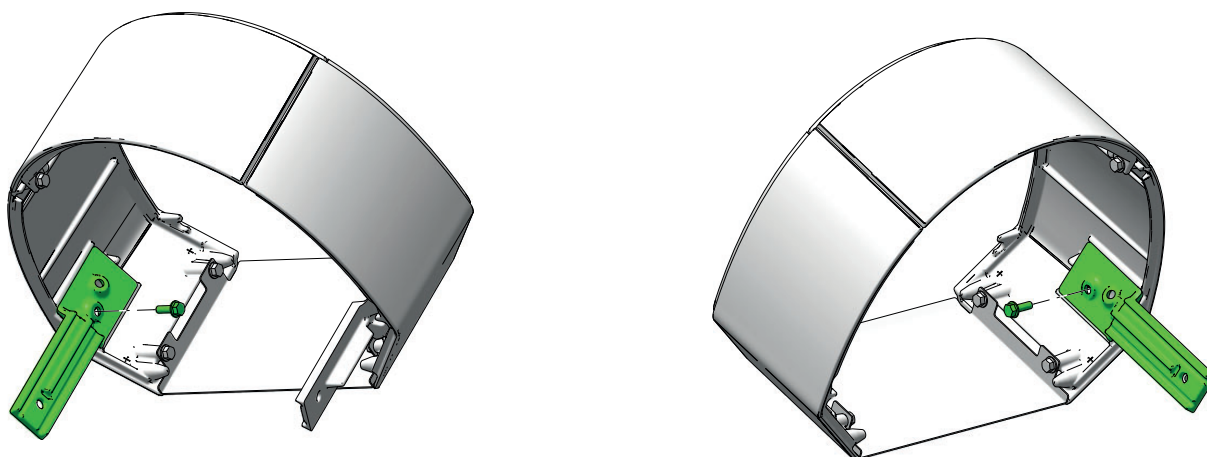


10

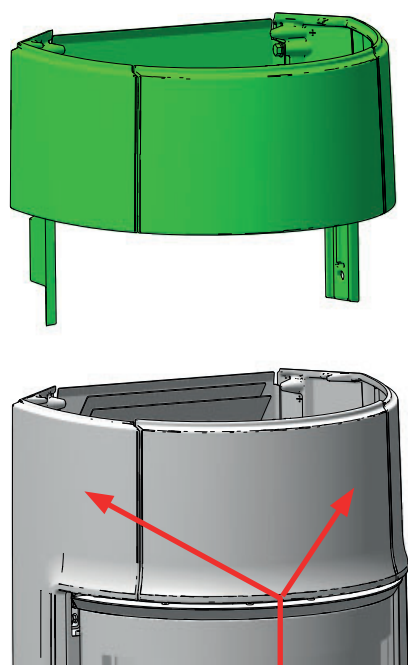


JØTUL F 176 ZENSORIC (HIGH TOP) ASSEMBLY

1

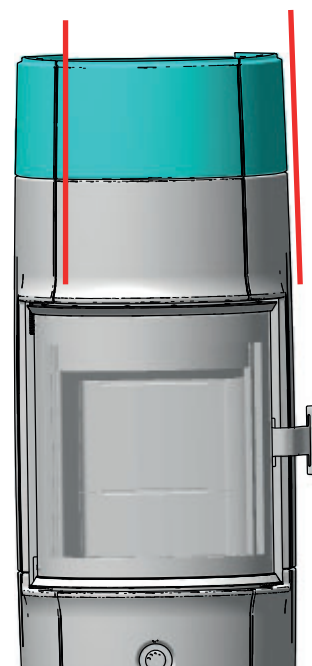


2

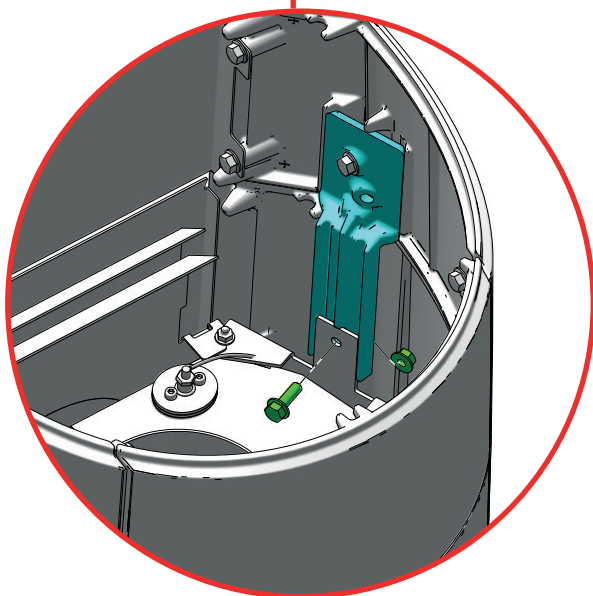


3

Be sure to adjust the High Top until it is positioned correctly in relation to the rest of the product.



4



Then screw the product into place.

HEAT ACCUMULATING STONE (ACCESSORIES)

Heat-accumulating stone is possible for:

Jøtul F 171 Zensoric 1100 mm. (2 pcs. approx. 21 kg)

Jøtul F 174 Zensoric 1400 mm. (2 pcs. approx. 21 kg)

Jøtul F 176 Zensoric 1600 mm. (5 pcs. approx. 52.5 kg)

Heat-accumulating stone is made of a special material with high heat capacity. The stones are heated during firing and emits heat again after the end of firing. This extends the time the oven is hot.



INSTRUCTION FOR USE

CB-TECHNOLOGY (CLEAN BURN)

The stove is equipped with CB technology. In order to ensure optimal combustion of gases released during the combustion process, air passes through a specially developed system of channels. The heated air is conducted into the combustion chamber through the holes in the rear lining of the combustion chamber and at the baffle plates. This airflow is controlled by the rate of combustion and cannot therefore be regulated.

NOTE: The wood must never be placed higher than the lower tertiary holes at the rear of the burn chamber (This does not apply at a cold start).

ELECTRONIC AIR CONTROL

The stove is equipped with an electronic air control - Zensoric, which self-regulates the combustion of the wood with the right amount of air and the right temperature. Zensoric is designed to achieve the cleanest possible combustion, which can be difficult to achieve with manual operation.

Zensoric is battery powered and keeps charging for up to an entire firing season. It is recommended to charge Zensoric when the firing season is over. Charging is done by connecting the supplied USB-C charger plug at the bottom of the side of the stove and the 5V power supply in the socket. It is not recommended to charge during firing.

When opening the stove door (when it is cold), the stove gives off signal status - see "Zensoric Signal Guide" - page 24.

MANUAL AIR CONTROL

In addition to the automatic control, which the control itself performs, you can control the combustion / flames up or down with the air control button under the door.

With low draft in the chimney, the air regulation can be set to 100 % when lighting.

Settings for normal load: 25-75%

BAFFLE PLATES

The baffle plates are located in the upper part of the combustion chamber. The plates hold back smoke, making sure it stays inside the combustion chamber for a longer time before escaping through the chimney. This reduces the flue gas temperature as the gases have more time to dissipate heat to the stove.

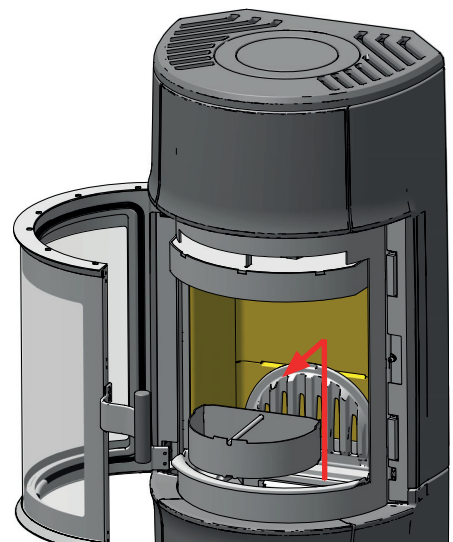
The baffle plates must be removed for sweeping; see "Maintenance". Note that the baffle plates are made of porous, ceramic material, and is liable to break easily. You should therefore handle them with care.

The baffle plates are subject to wear and tear and not covered by the warrant

ASH CONTAINER

Open the door and the grate in the bottom of the stove and lift out the ash container.

- To achieve optimal combustion, do not overfill the ash container. It should therefore be emptied when it is 3/4 full
- Never empty ashes into a flammable container. Ashes can contain glowing embers long after you finish operating the stove



INSTRUCTIONS FOR USE

ZENSORIC SIGNAL GUIDE

- 1 green blink = air damper test OK
- 1 green blink repeated every 8 seconds = insert wood
- 2 blue blink repeated every 8 seconds = recharge battery
- 1 red blink = air damper fault
- 2 red blink = battery level low, Zensoric switches off
- 3 red blink = temperature gauge fault (See page 39 for replacing temperature gauge)

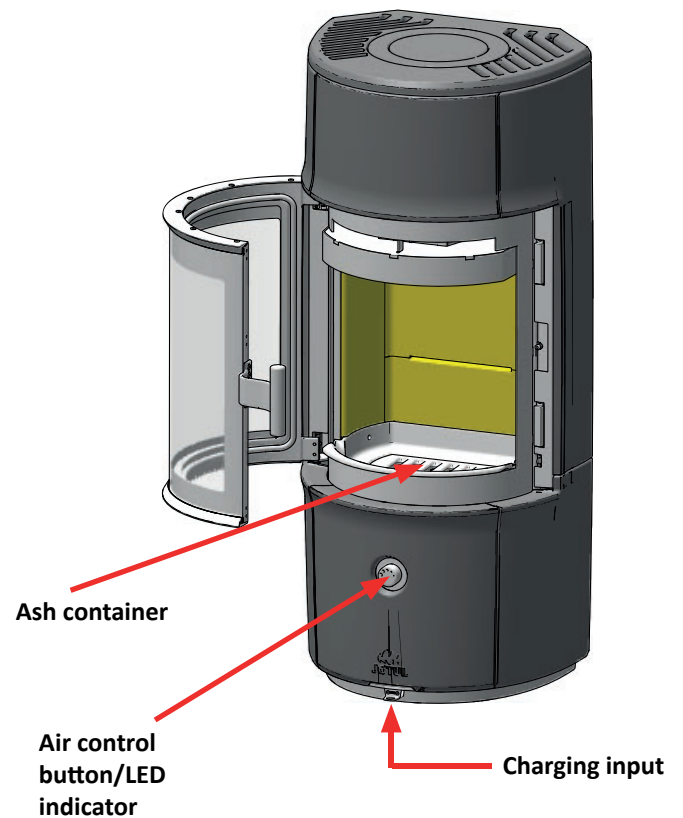
When charging:

Continuous red = charging

LED goes out = fully charged

No blinking at first opening of cold stove = fault on door sensor (see page: 41 for switching the door sensor)

In case of error - contact the dealer of the stove

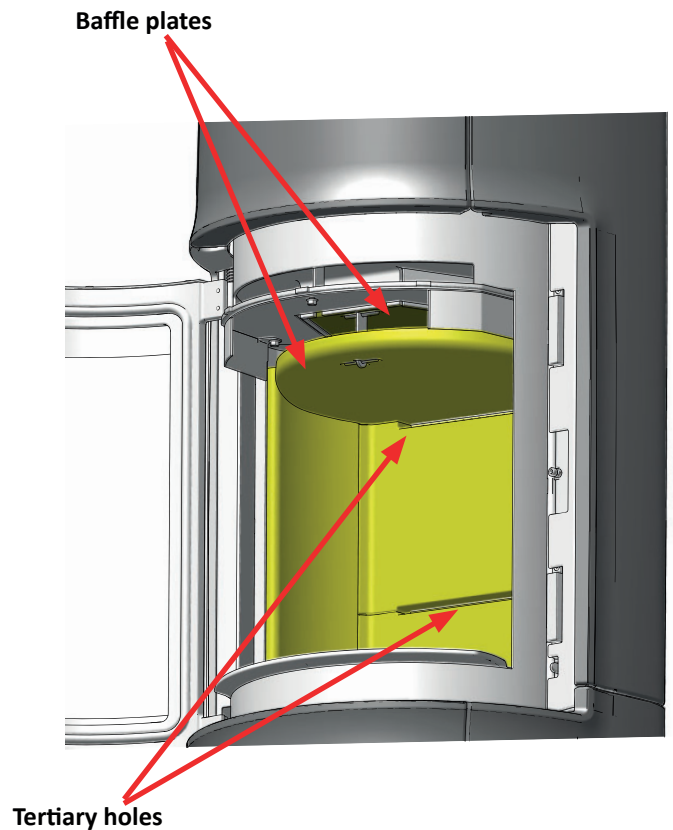
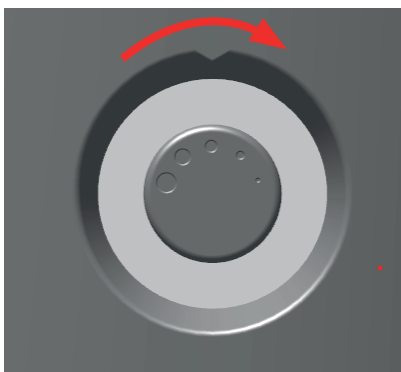


RESET ZENSORIC

The reset function is done by connecting the supplied USB-C charger plug at the bottom of the side of the stove and the 5V power supply in the socket.

Next, unplug after 30 sec. and open the door and the Zensoric resets

SETTINGS FOR NORMAL LOAD: 25% - 75%



DAILY USE

ODOURS WHEN USING THE FIREPLACE FOR THE FIRST TIME

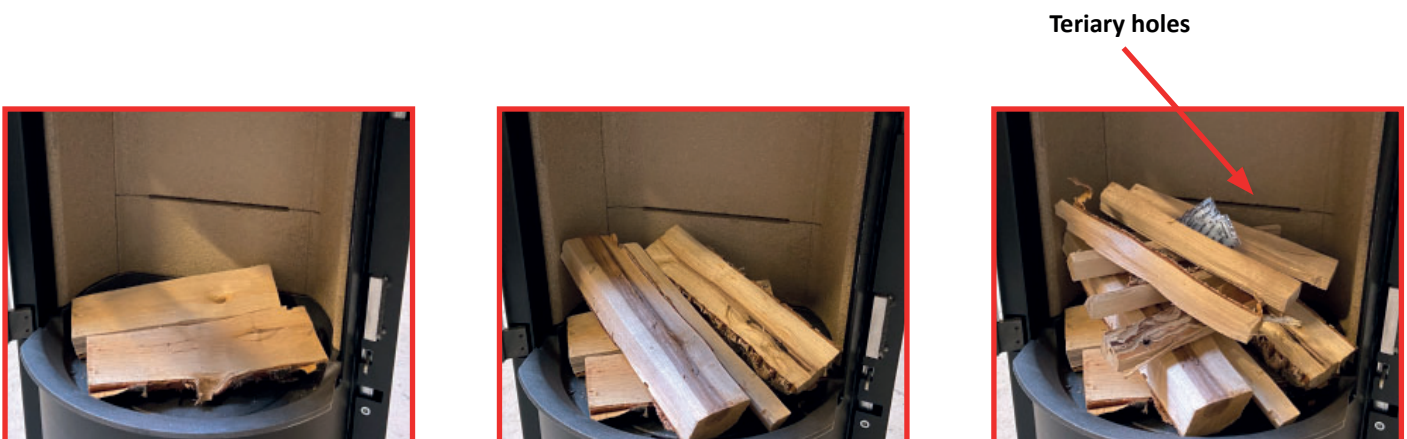
When the fireplace is used for the first time, it may give off a slight smell. This is because the paint on the outside is drying. You should open some windows to ensure the room is ventilated.

“TOP DOWN” LIGHTING THE FIRE

Lighting the fire from the top down provides more environmentally friendly lighting and helps to keep the glass areas as clean as possible. The flames work their way down. Lighting from the top produces faster heating of the burn chamber, ensuring that you quickly achieve a good draught in the stovepipe and pipe, more oxygen for the flames and a higher temperature.

- 4 logs measuring approx. 20-23 cm in length and weighing approx. 0.3-0.5 kg each
 - 10-12 kindling sticks measuring approx. 20 cm and with a combined weight of approx. 0.3-0,5 kg
 - 3 firelighter sachets/cubes
1. Place the pieces of wood, firewood and fire lighters in the combustion chamber as shown below
 2. Set the combustion air control to maximum for 15 minutes (See “Instructions for use”)
 3. When the large pieces of wood have caught fire, you can adjust the combustion air to the desired level

NOTE: Never add so much wood that it covers the tertiary holes (This does not apply when starting from cold).



ADDING FIREWOOD

Stoke the stove frequently but only add small amounts of fuel at a time. If the stove is filled too full, the heat created may cause extreme stress in the chimney. Add fuel to the fire in moderation. Avoid smouldering fires as this produces the most pollution. The fire is best when it is burning well and the smoke from the chimney is almost invisible.

HEATING ADVICE

NB: Logs that have been stored outdoors or in a cold room should be brought indoors approx. 24 hours before use to bring them up to room temperature.

There are various ways of heating the stove, but it is always important to be careful about what you put in the stove. See the section on “**Wood quality**”.

NB: Burning with a poor air supply can cause insufficient combustion, reduced energy efficiency and increased emissions of particles, black carbon and other compounds that are harmful to health and the environment.

Wood quality

By quality wood we mean most well-known types of wood such as birch, spruce and pine.

The logs should be dried so that the moisture content is no more than 20%.

To achieve this, the logs should be cut no later than in late winter. They should be split and stacked in a way that ensures good ventilation. The wood stacks should be covered to protect the logs from rain. The logs should be brought indoors during early autumn and stacked/stored for use in the coming winter.

Be especially careful never to use the following materials as fuel in your fireplace:

- Household rubbish, plastic bags, etc.
- Painted or impregnated timber (which is extremely toxic).
- Laminated wooden planks.
- Driftwood
- These may harm the stove and are also pollutants.

Never use petrol, paraffin, methylated spirit or similar liquids to light the fire. You may cause serious injury to yourself and damage to the product.

WOOD CONSUMPTION

The efficiency of the Jøtul F 170 Zensoric gives it a nominal heat output of approx. 5,0 kW. Wood consumption, at nominal heat output: Approx. 1,8 kg/t. The size of the logs should be:

Recommended length:	20-23 cm
Diameter:	Approx. 4-7 cm
Stoking frequency:	Approx. every 46 minutes
Fire size:	1,4 kg (nominal output)
Quantity required each time:	x 3

The stated test values have been obtained by placing 3 blocks of 20 cm, total weight of 1.35 kg. The blocks are laid across. The door is closed after ignition. The air damper is set to 25%.

WARNING AGAINST OVERHEATING

Never overstoke the fireplace!

Overheating occurs when there is too much fuel and/or too much air so that too much heat develops. A sure sign of overheating is when parts of the stove glow red. If this happens, reduce the air vent opening immediately.

Seek professional advice if you suspect that the chimney is not drawing properly (too much/too little draught). (For further information, see “Installation” (Chimney and flue pipe).)

REMOVING ASH

- Only remove ash when the fireplace is cold.
- Use a scoop or similar and scrape out the ash.
- Ash should be placed outdoors or be emptied in a place where it will not pose a potential fire hazard.

OPERATION UNDER DIFFERENT WEATHER CONDITIONS

The performance of the stove can be affected considerably by the wind acting on the chimney at different strengths. It may therefore be necessary to adjust the air supply to ensure good combustion performance. It might also be a good idea to install a damper in the flue pipe so that the chimney draught can be regulated according to the strength of the wind.

Fog and mist can have a significant impact on the chimney draught and it might be necessary to use other combustion air settings to ensure good performance.

CONDENSATION

Condensation from the fireplace/flue pipe/chimney may occur. This may well be related to damp fuel or temperature differences between the fireplace and the surrounding area. Condensation that comes from the fireplace has the appearance of a black, tar-like liquid. This should be wiped off immediately to avoid discolouration of the fireplace, floor and surrounding building components.

Rapid lighting and fresh stoking reduce the risk of condensation.

If the condensation persists, mineral sand can be used on the fireplace's bottom plate.

THE CHIMNEY'S FUNCTION

The chimney is the engine of the wood stove and is crucial for its functioning. Chimney drafts create negative pressure in wood stoves. This negative pressure removes the smoke from the stove and sucks the air through the combustion air vent for the burning process.

The draught in the chimney is caused by the difference in temperatures inside and outside the chimney. The greater the temperature difference, the better the draught in the chimney. It is therefore important to allow the chimney to reach operating temperature before adjusting the damper settings to restrict combustion in the stove (a brickwork chimney takes longer to reach operating temperature than a steel chimney).

It is particularly important to reach operating temperature as quickly as possible on days on which the draught in the chimney is poor due to unfavourable wind and weather conditions. It is important to achieve some flames quickly. Chop the wood into much smaller pieces and use an extra firelighter.

If the stove has not been used for some considerable time, it is important to check the chimney pipe for blockage.

It is possible to connect several solid fuel stoves to the same chimney. However, it is important to check out the applicable rules in this areas first.

Even a good chimney can function poorly if it is used incorrectly. Correspondingly, a poor chimney can function well if it is used correctly.

MAINTENANCE

CLEANING THE GLASS

Jøtul's fireplaces are fitted with air washing of the glass. Via the air vent, air is deflected down along the inside of the glass, reducing the accumulation of soot deposits.

There will always be some soot on the glass, however, but the amount depends on the local conditions and the adjustment of the air vent. Most of the soot layer will normally be burned off when the air vent is fully opened and the fire is burning briskly.

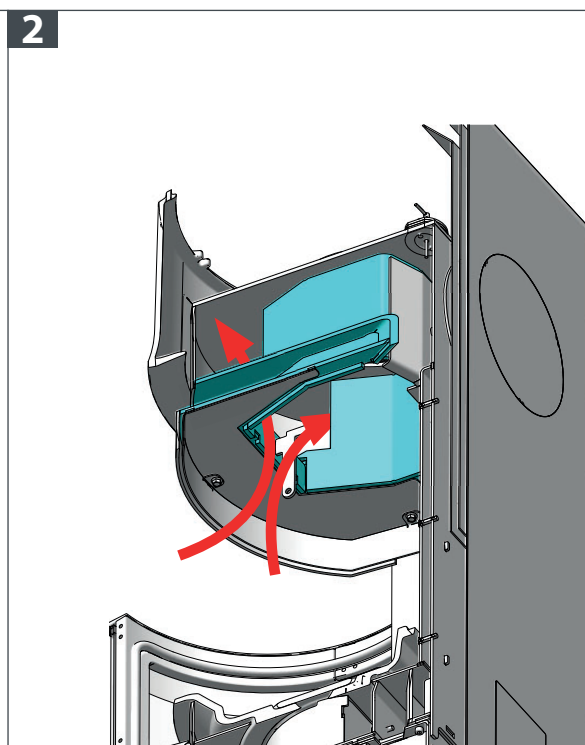
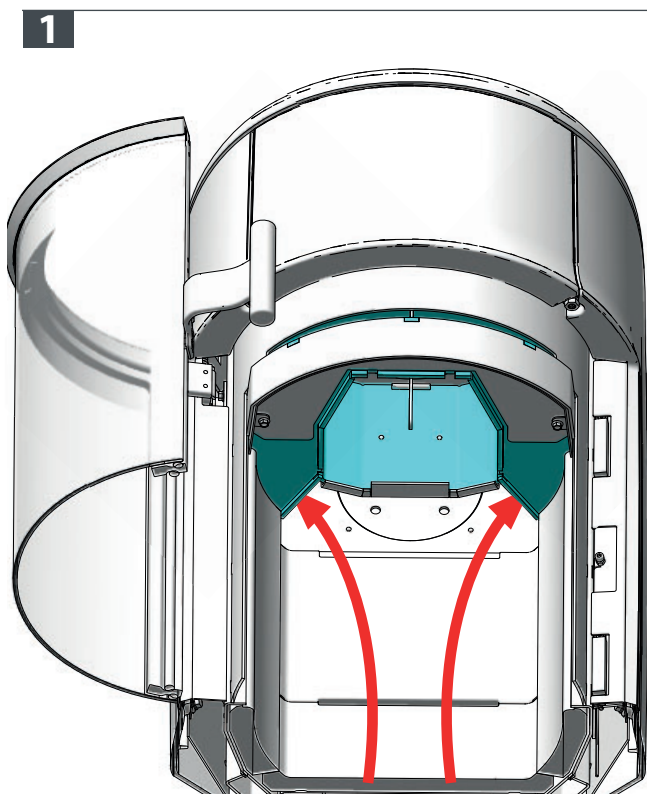
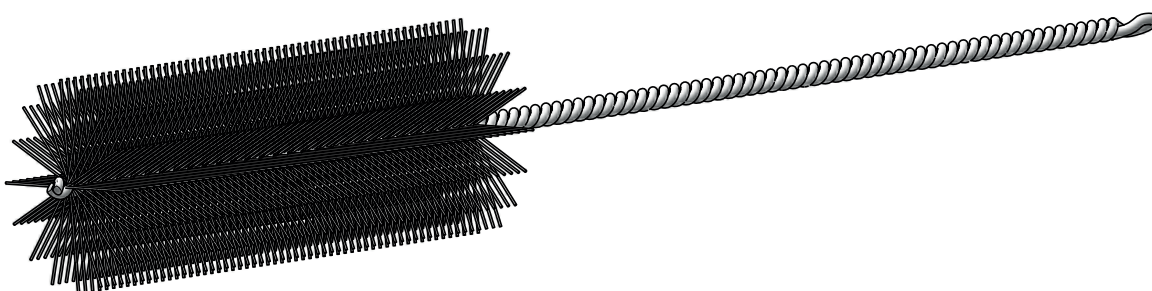
Good advice! Normal cleaning – take a piece of kitchen paper and dampen it with warm water. Dab it on some ash from the burn chamber then rub the glass with the paper. Wipe clean with fresh water. Dry well. If the glass needs cleaning more thoroughly, use a detergent for glass (follow the manufacturer's instructions on the bottle).

CLEANING AND REMOVING SOOT

Soot deposits may build up on the internal surfaces of the fireplace during use. Soot is a good insulator and will therefore reduce the fireplace's heat output. If soot deposits accumulate when using the product, they can easily be removed by using a soot remover.

In order to prevent a layer of water and tar from forming in the fireplace, you should regularly allow the fire to burn hot in order to remove the layer. Your product should be cleaned internally once a year to ensure the best heating effect. It is a good idea to do this when cleaning the chimney and flue pipes.

The oven comes with a steel broom that can be used to clean the oven. If necessary, the tool can be bent to reach the most difficult places. Remove the vault and burner plates before cleaning the wood stove and sweeping the flue and chimney. (See "Removal of baffle plates and combustion chamber lining")



SWEEPING THE FLUE PIPE TO THE CHIMNEY

Flue pipes must be swept through the flue pipe sweeping hatch or through the door opening. The baffle and exhaust deflector must be removed first.

CHECKING THE FIREPLACE

Jøtul recommends that you carefully inspect your fireplace yourself after it has been swept/cleaned. Check all visible surfaces for cracks. Also check that all joints are sealed and that the gaskets are in the correct position. Any gaskets showing signs of wear or deformation must be replaced.

Thoroughly clean the gasket grooves, apply ceramic glue (available from your local Jøtul dealer) and press the gasket well into place. The joint will dry quickly.

EXTERNAL MAINTENANCE

Painted products may change colour after they have been used for several years. The surface should be cleaned and brushed free of any loose particles before new paint is applied.

NB: Do not place anything on the stove's top plate, as this could result in permanent damage to the paintwork.

RECYCLING PACKAGING

Your fireplace is delivered with the following packaging:

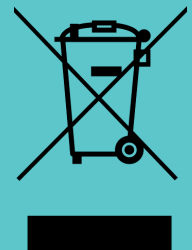
- A wooden pallet can be cut up and burned in the fireplace.
- Cardboard packaging should be taken to a local recycling facility.
- Plastic bags should be taken to a local recycling facility.
- Metal strap is delivered for metal recycling.

RECYCLING THE FIREPLACE

The fireplace is made of:

- Metal should be taken to a local recycling facility.
- Glass should be disposed of as hazardous waste. The glass in the fireplace must not be placed in a regular source segregation container.
- Burn plates made of vermiculite can be sorted as normal construction waste.

- Batteries must be disposed for recycling.
- Electronic components must be disposed of to electronic waste.



SIDE PANEL DISASSEMBLY

We recommend that there are 2 people when dismantling the side panel.

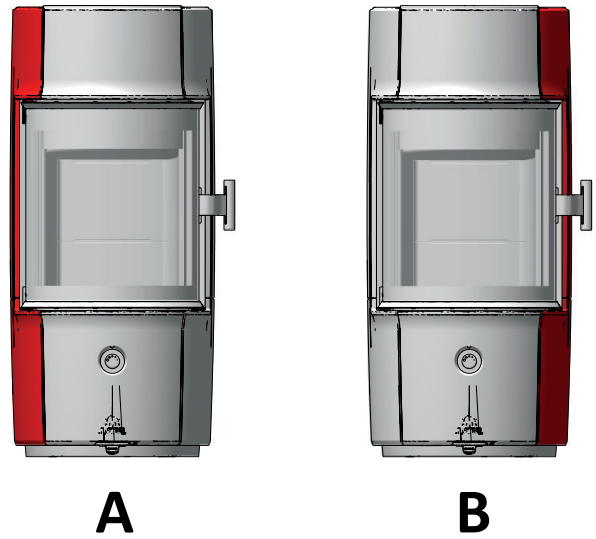
The side panel must be dismantled if you are going to:

- Activate door self-closing if you have deactivated it (Side panel A)
- Changing the temperature gauge (Side panel B)
- Replacing the door sensor (Side panel B)

The instructions below show how to remove the side panel (A). When replacing the temperature gauge or door sensor, the side panel (B) must be dismantled. Use the same procedure as side panel (A) only on the opposite side.

With a top outlet and/or with heat-accumulating stones, accessibility will be reduced. Remove the side panels to access the areas you need.

If you have a rear outlet, you will be able to change the temperature gauge and activate self-closing without removing the side panel.



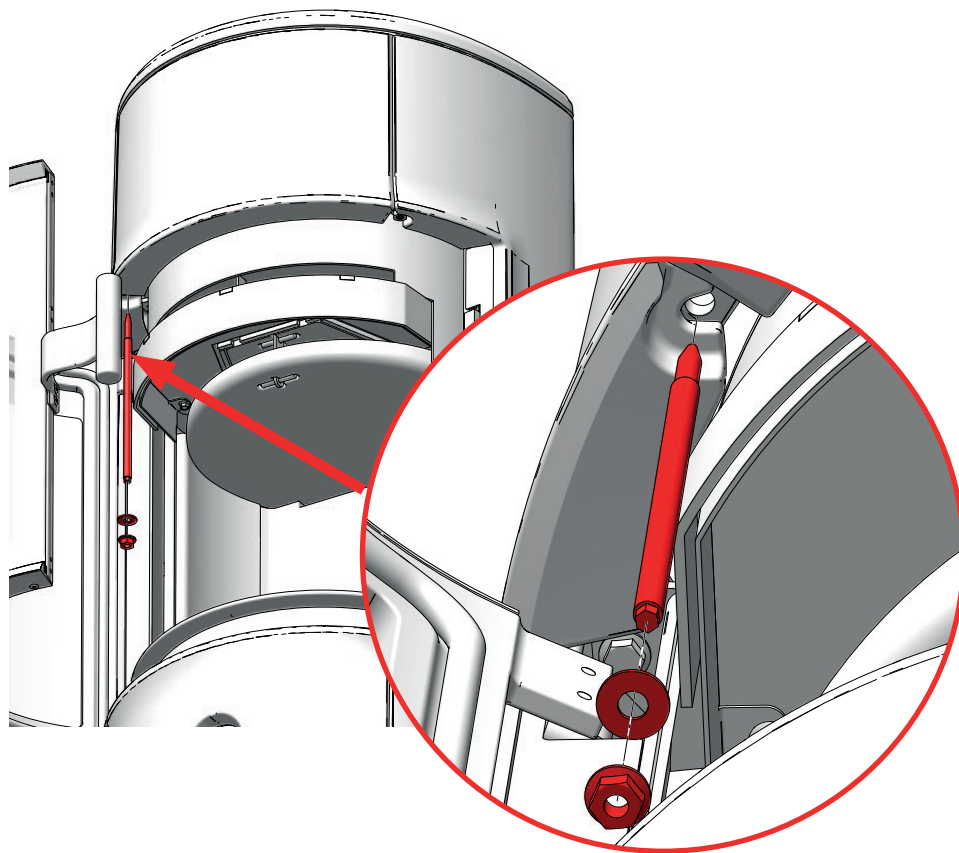
TOOLS

- 13mm socket wrench
- 5mm and 2.5mm Allen wrench

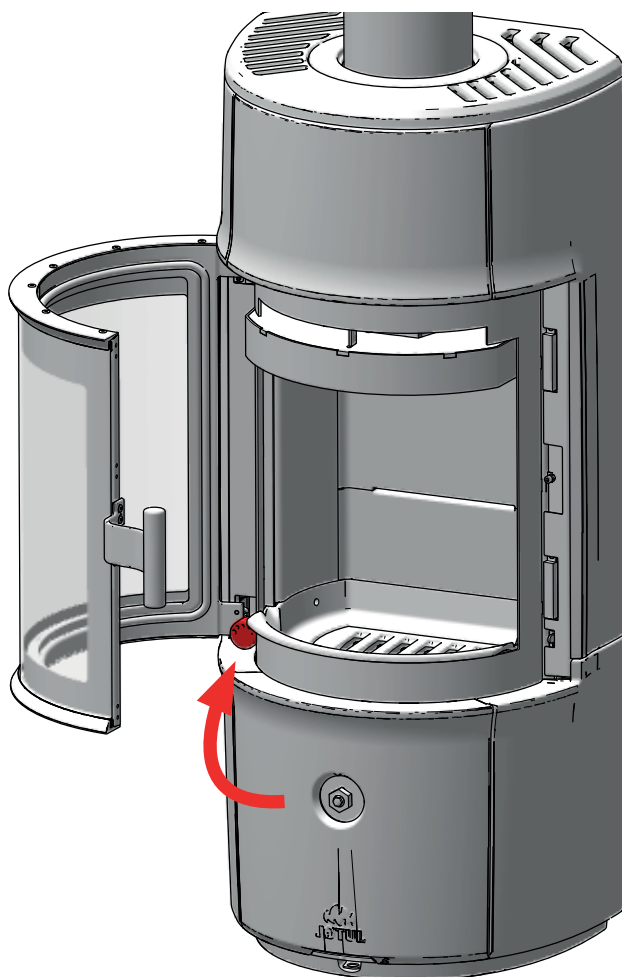
SIDE PANEL DISASSEMBLY

1

13mm socket wrench

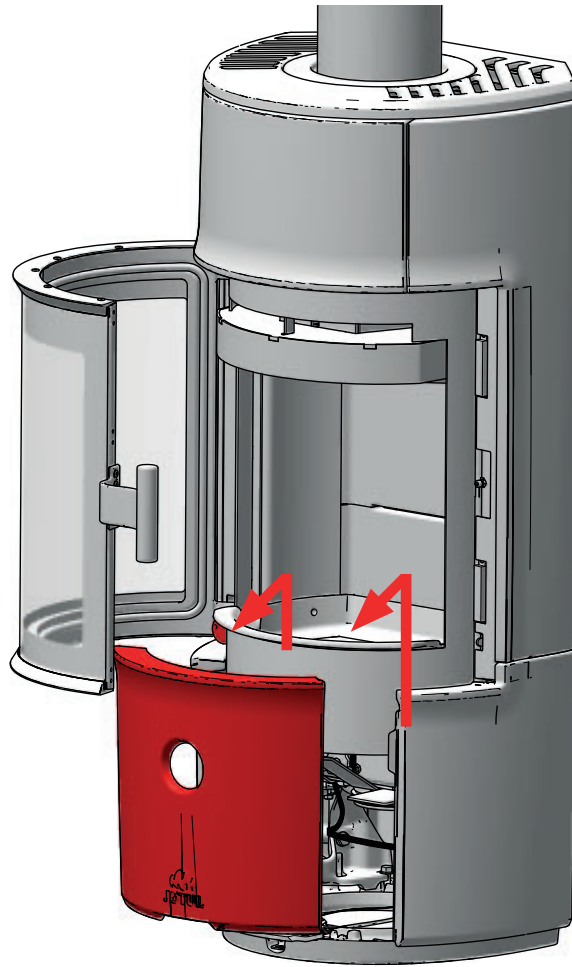


2



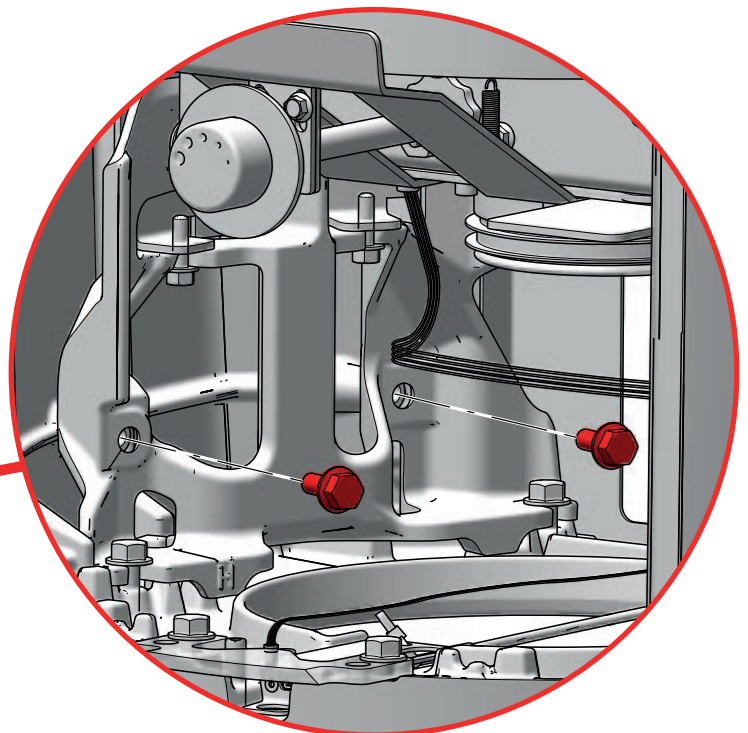
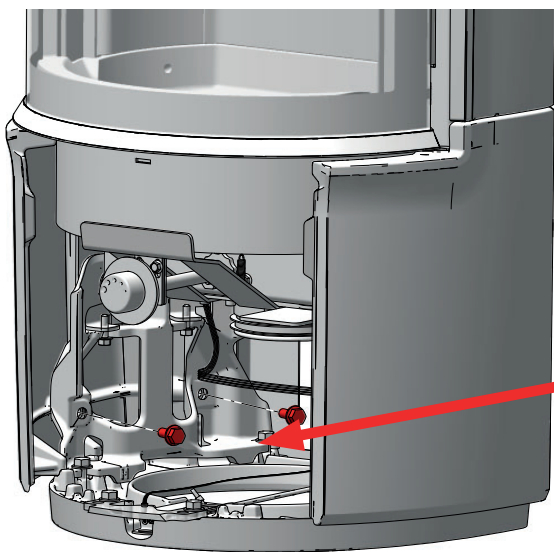
SIDE PANEL DISASSEMBLY

3



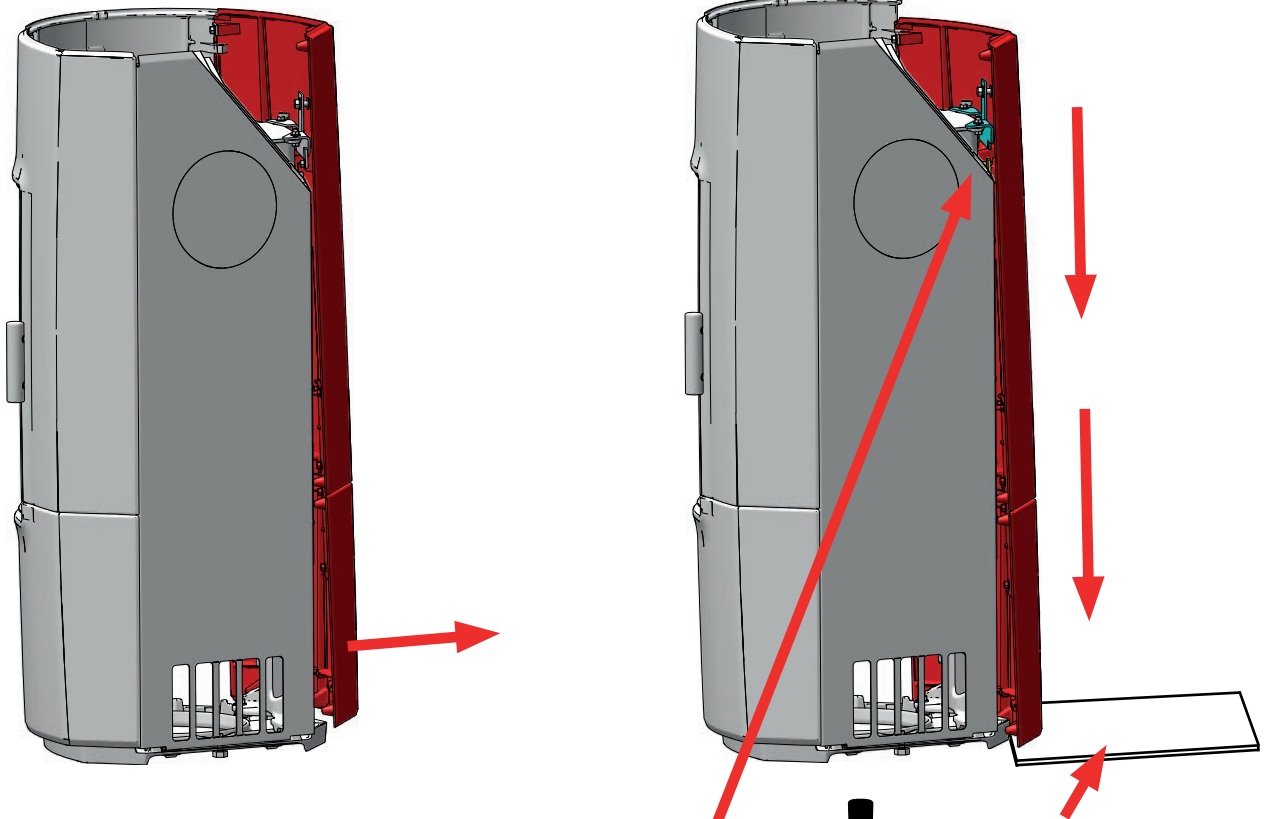
4

Be careful! Preferably 2 people when separating the side panel. The side panel must be held in place while the screws are screwed in and out.

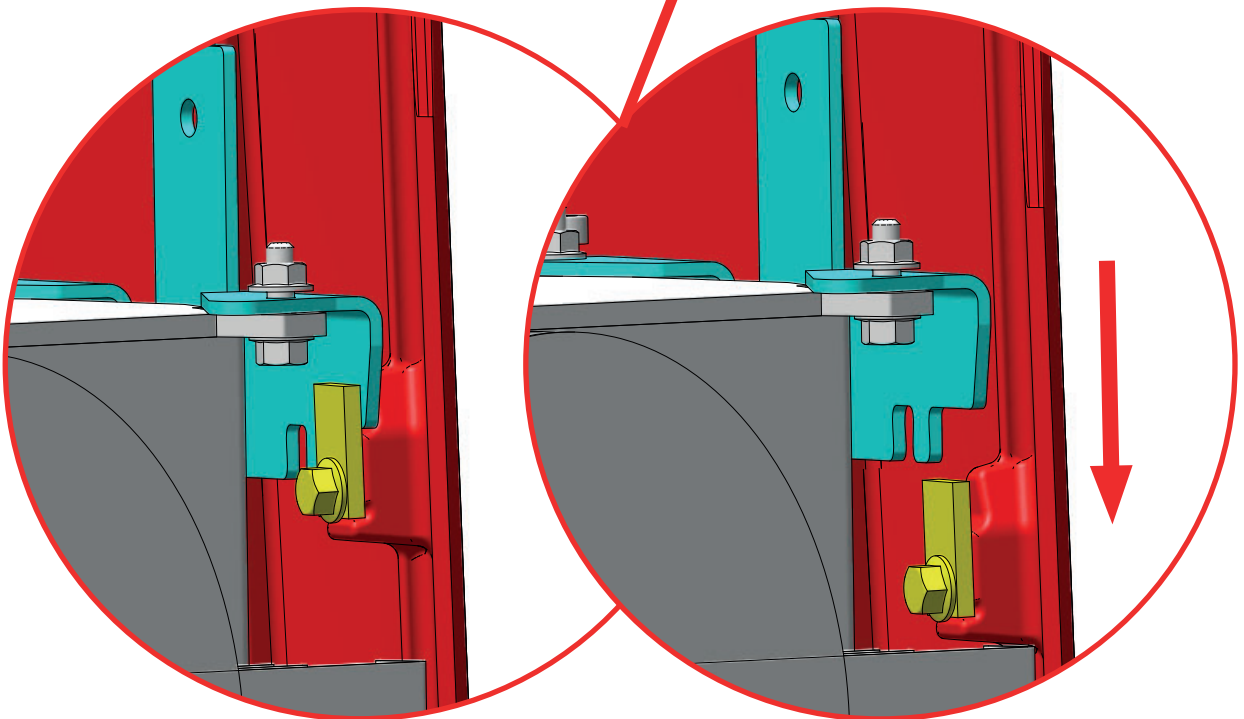


SIDE PANEL DISASSEMBLY

5

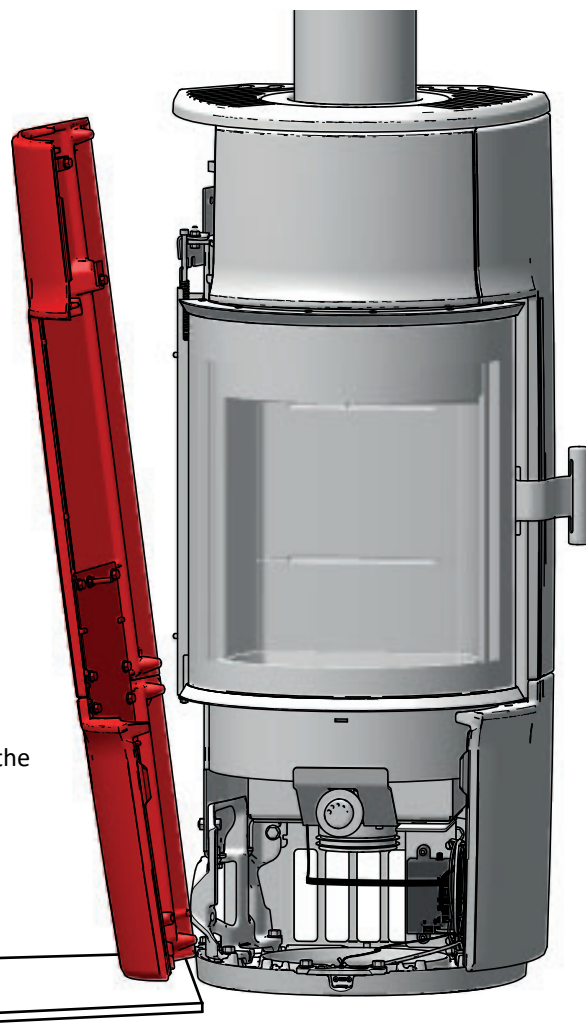


! NOTE! Place something between the side panel and the floor to protect the floor and your fingers.



SIDE PANEL DISASSEMBLY

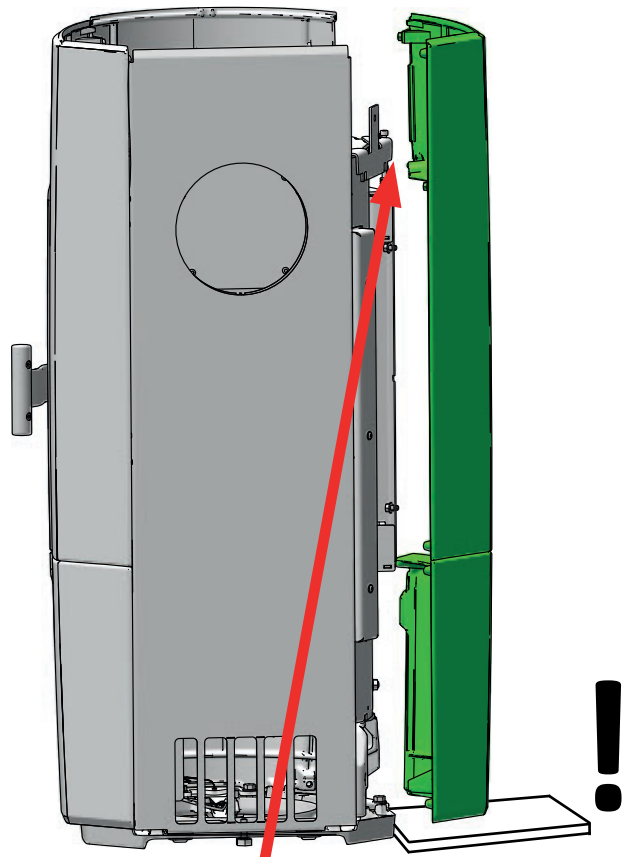
6



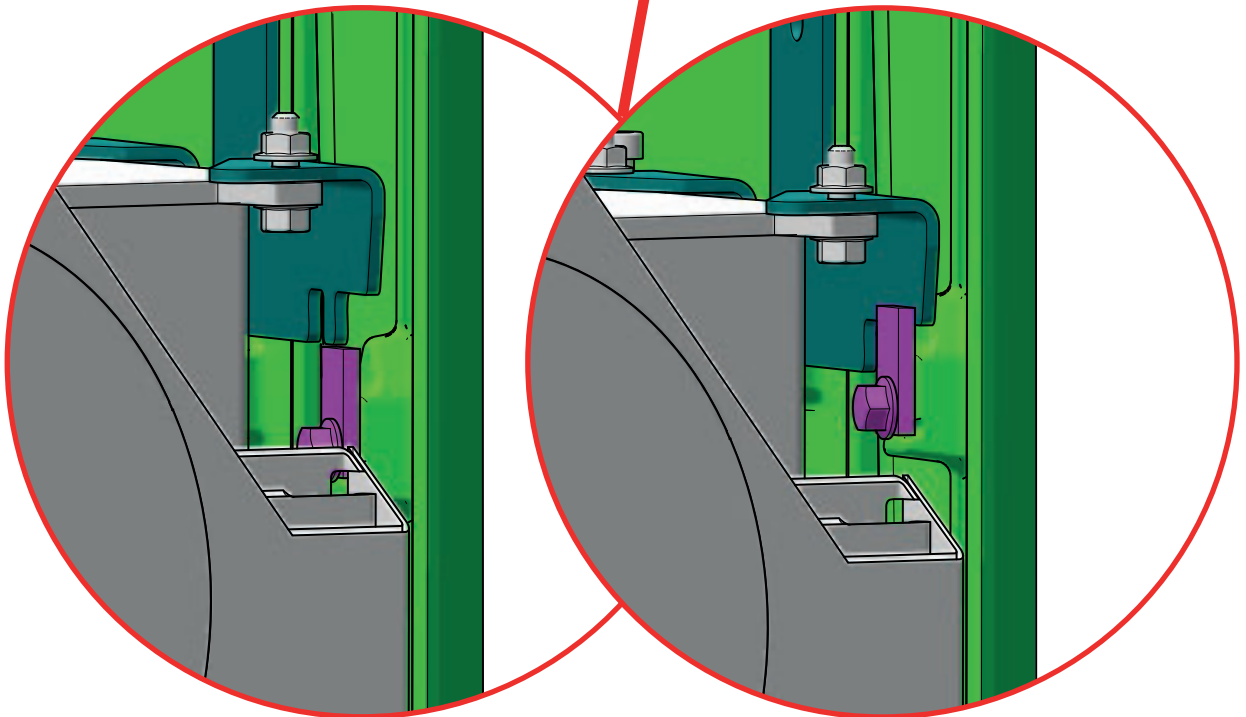
! NOTE! Place something between the side panel and the floor to protect the floor and your fingers.

SIDE PANEL ASSEMBLY

1



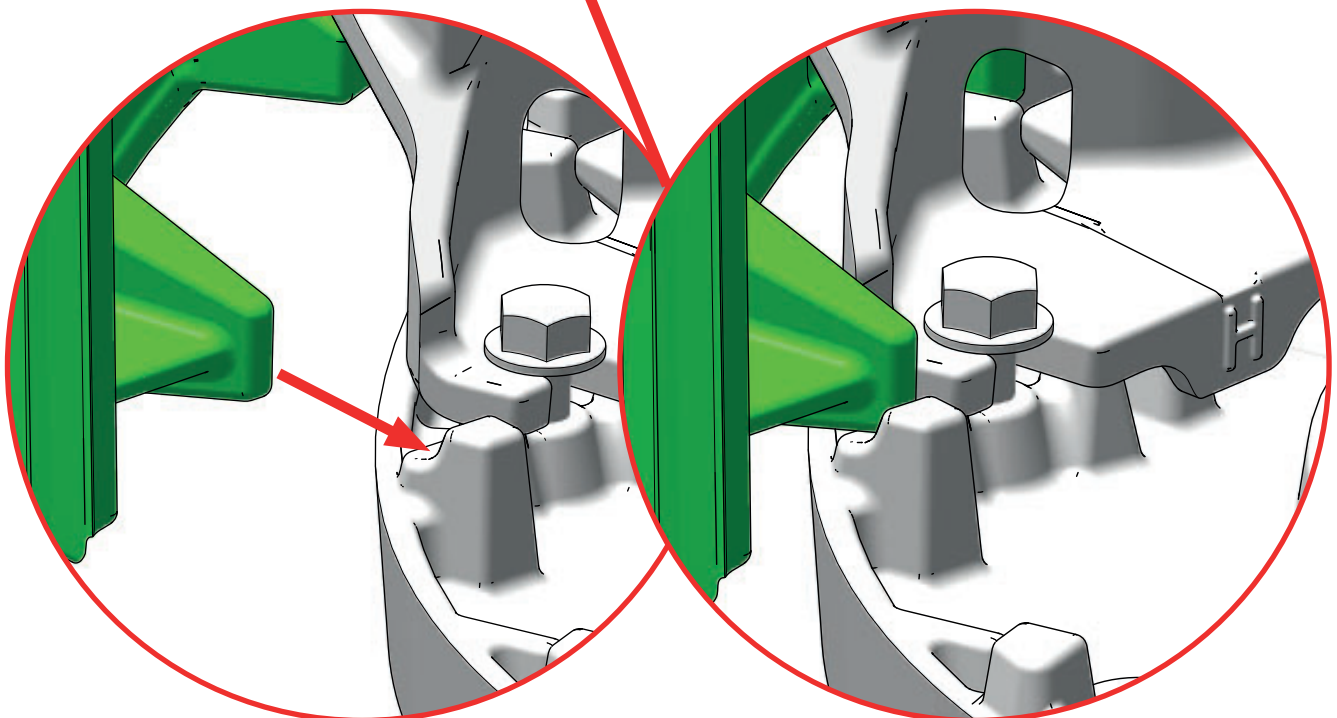
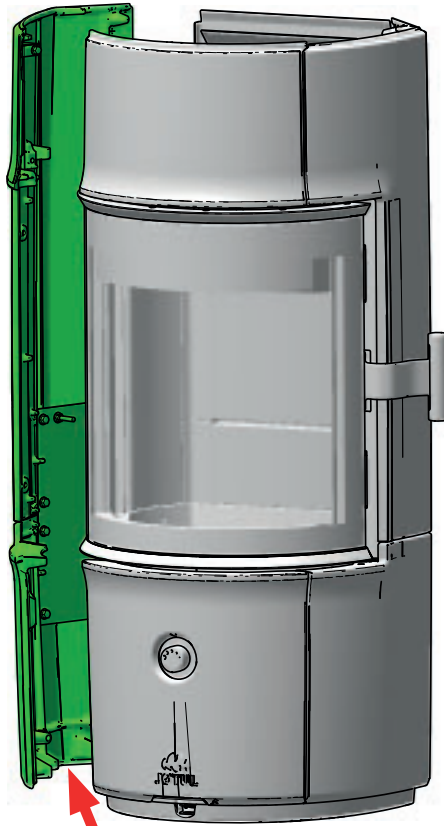
2



SIDE PANEL ASSEMBLY

3

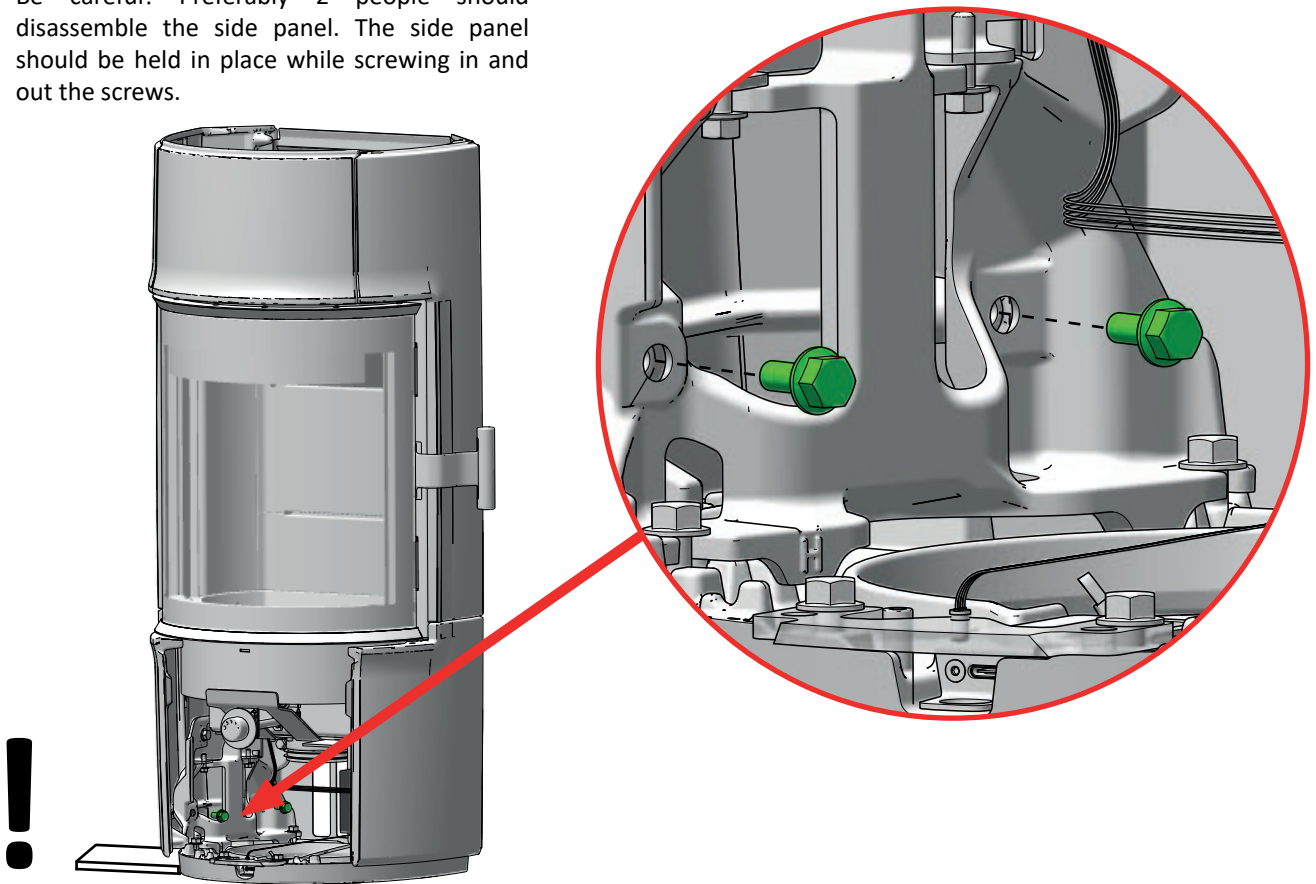
Make sure the side panel fits correctly on the step shown below.



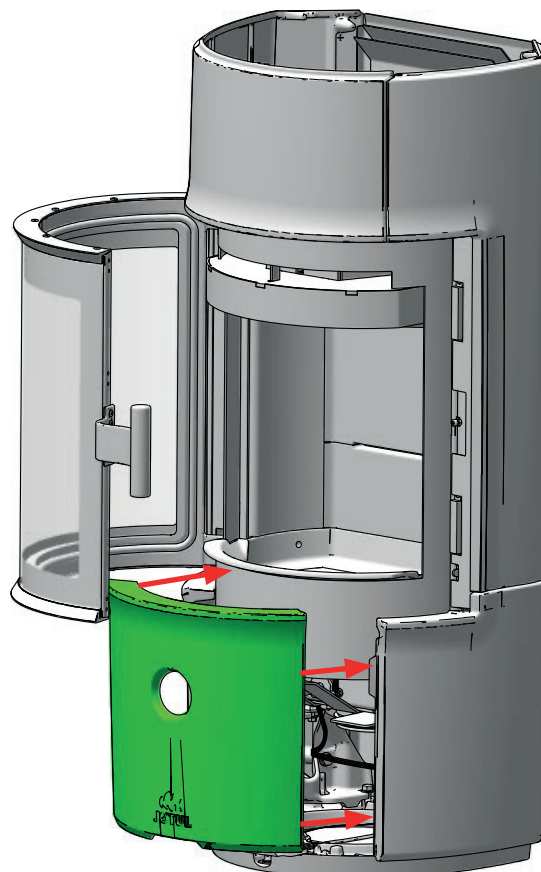
SIDE PANEL ASSEMBLY

4

Be careful! Preferably 2 people should disassemble the side panel. The side panel should be held in place while screwing in and out the screws.

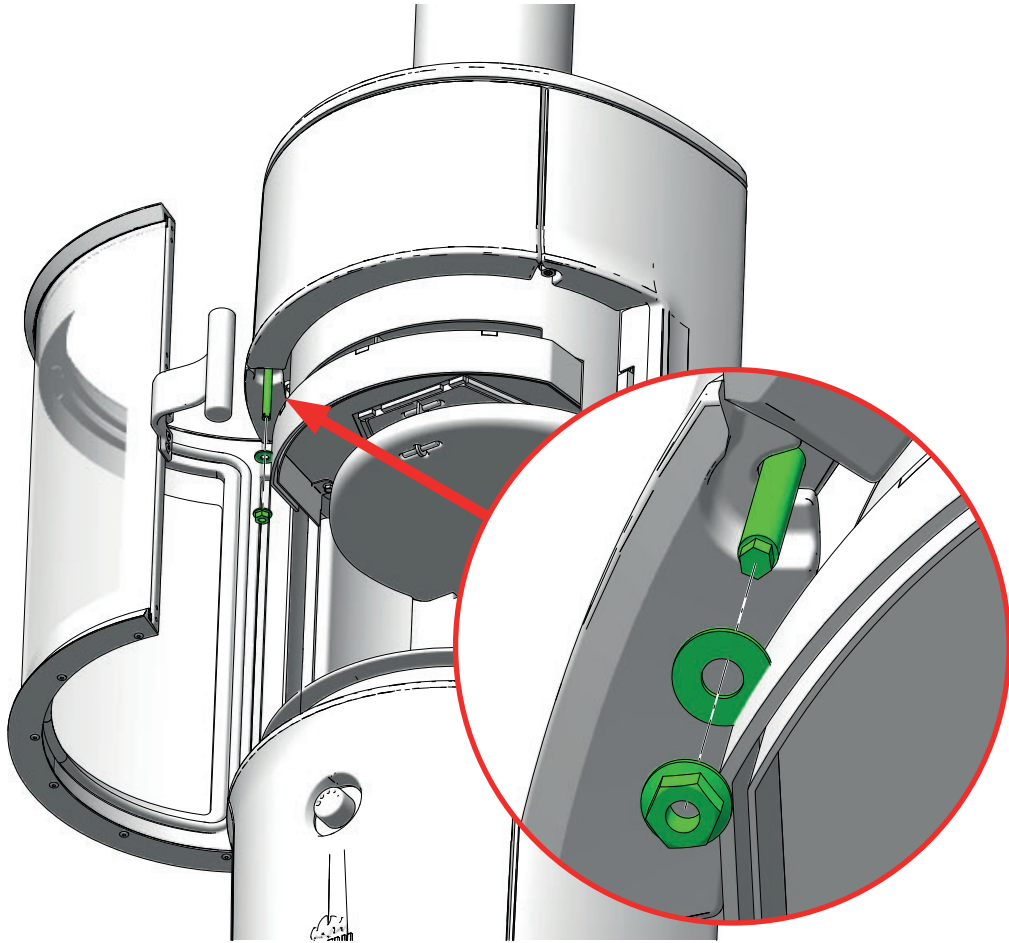


5



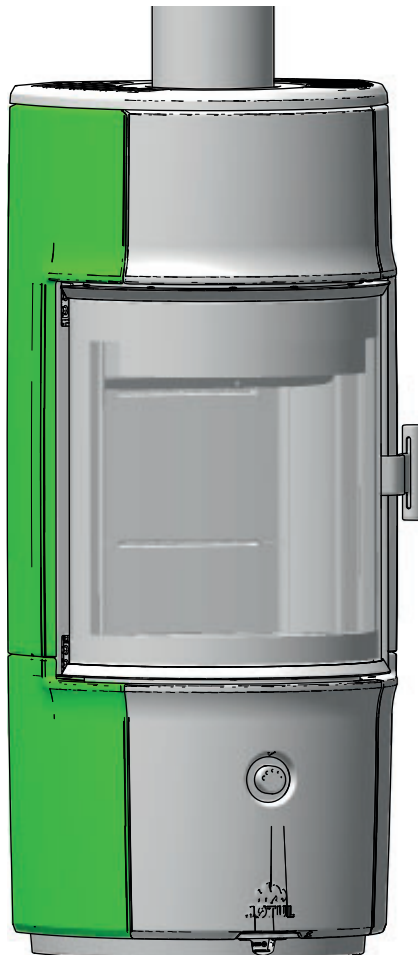
SIDE PANEL ASSEMBLY

6



7

Make sure the side panel fits correctly by comparing the lines on the adjacent cast iron parts.

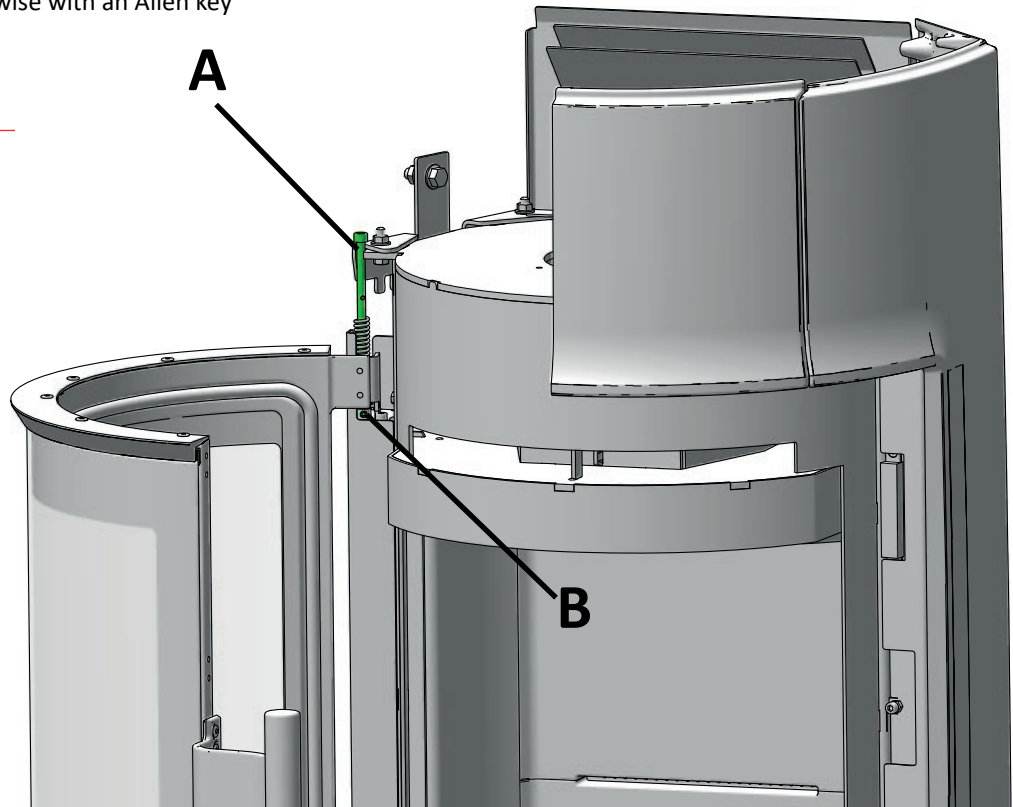


ENABLE SELF-CLOSING DOOR

Tighten the spring by turning the long screw (inside the spring (A)) counter-clockwise with an Allen key (5 mm). While tightening the spring, tighten the lower pinion screw (B) tightly clockwise with an Allen key (2.5 mm)

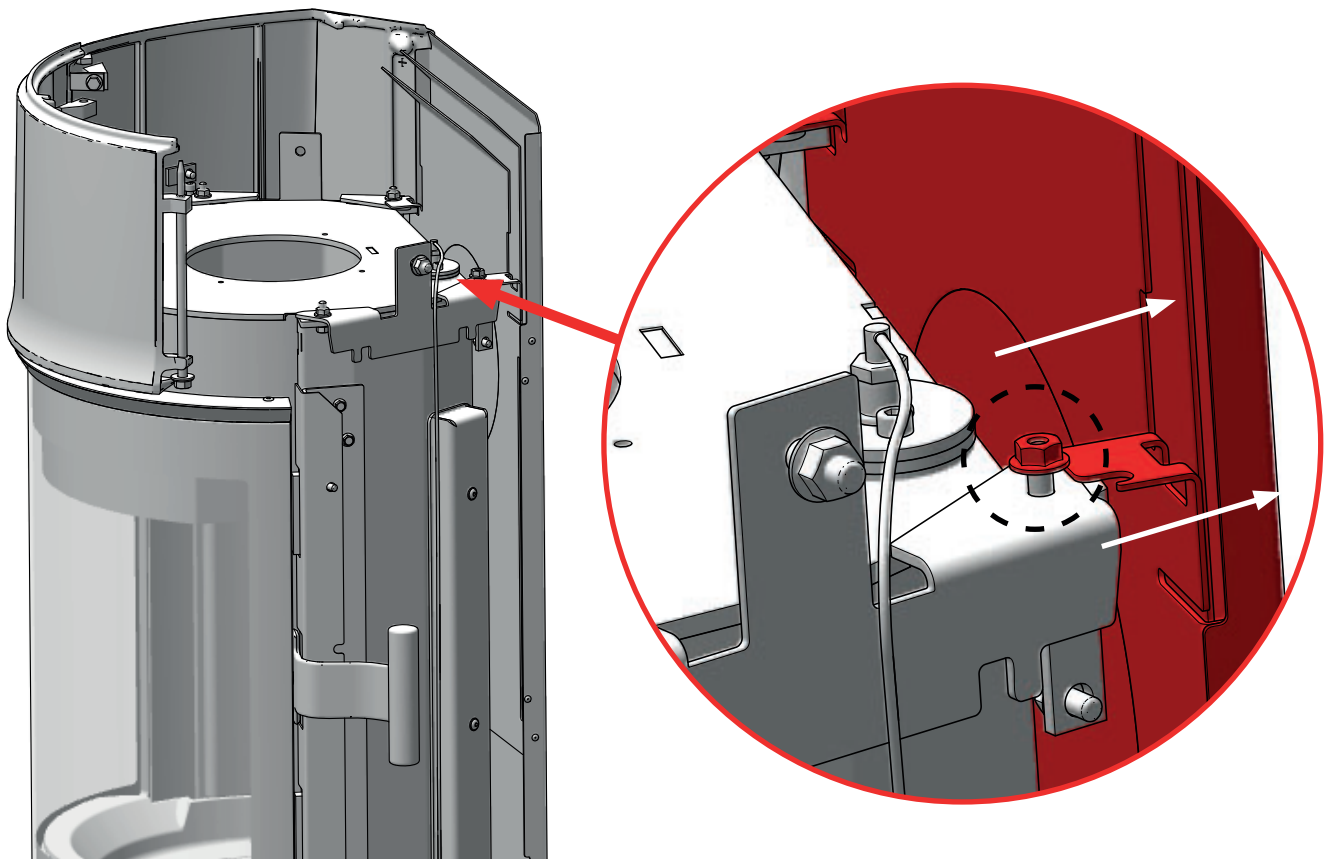
TOOLS

- 5mm Allen key
- 2,5mm Allen key



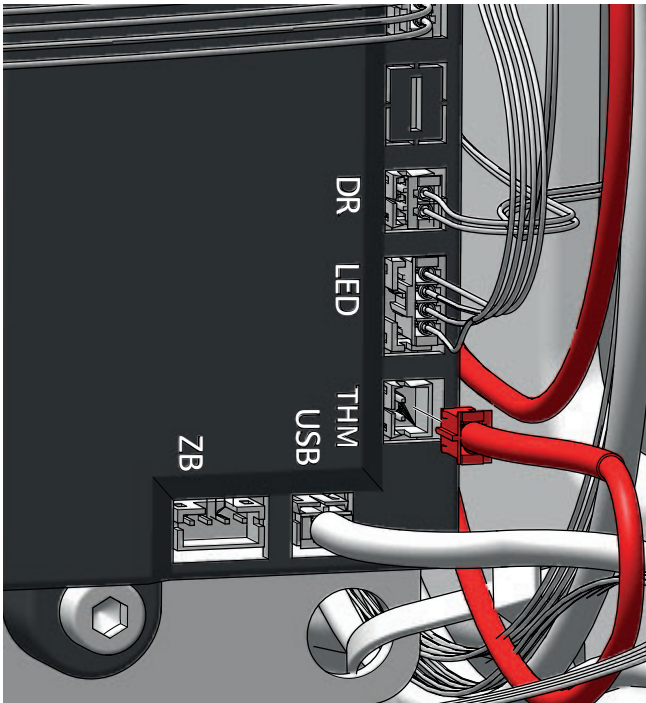
DISASSEMBLY TEMPERATURE GAUGE

- 1 To get more space to work in, you can LOOSEN the nut slightly as shown in the picture below and push the back cover out.



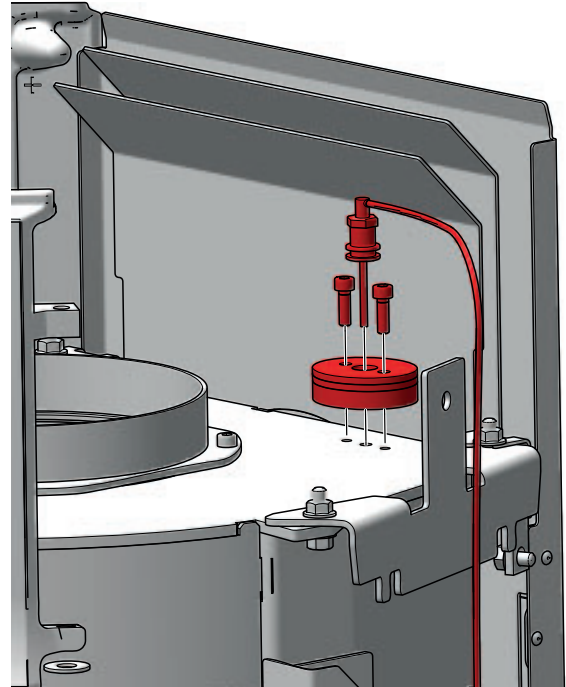
DISASSEMBLY TEMPERATURE GAUGE

2



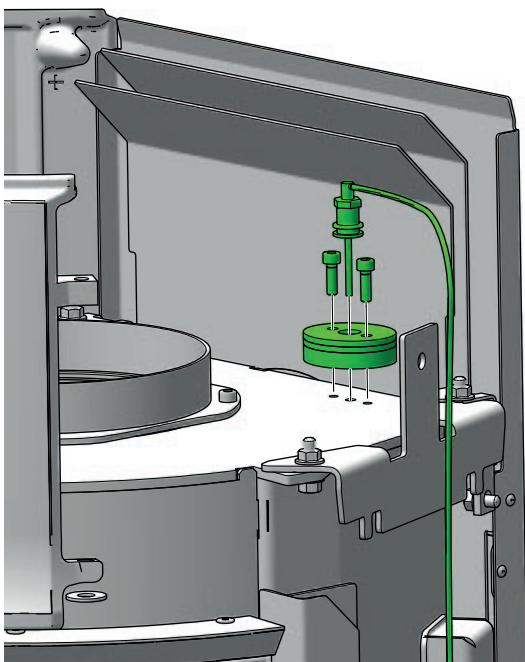
3

4mm Allen key

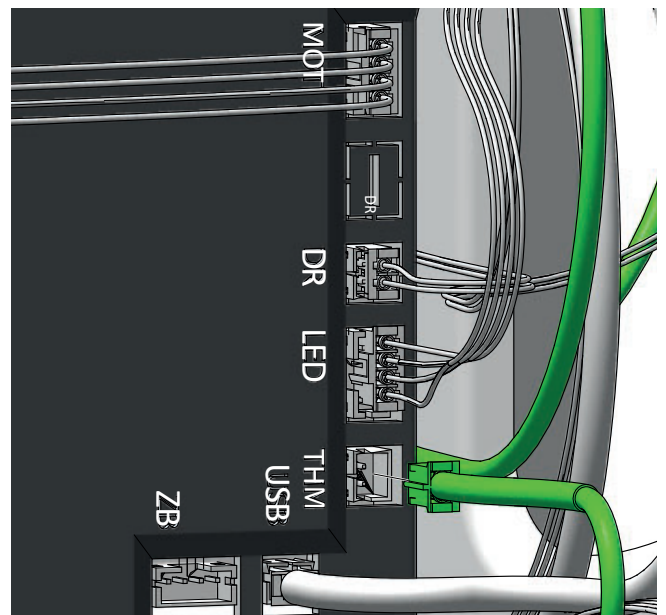


ASSEMBLY TEMPERATURE GAUGE

1

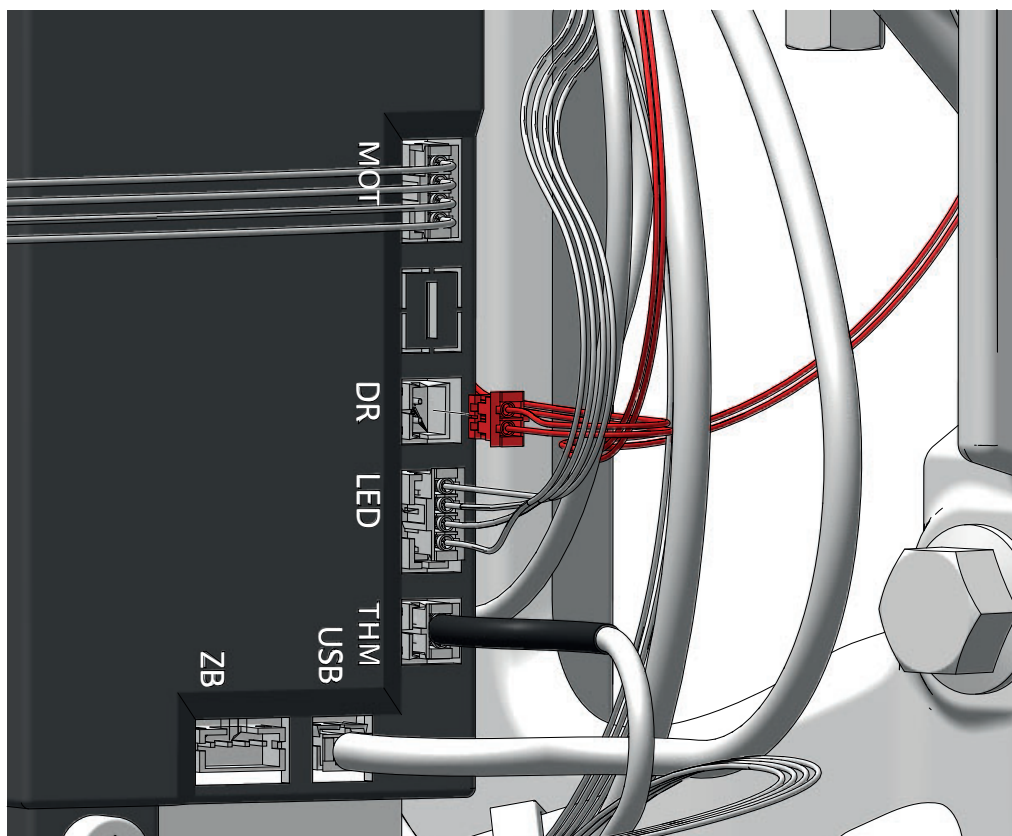


2

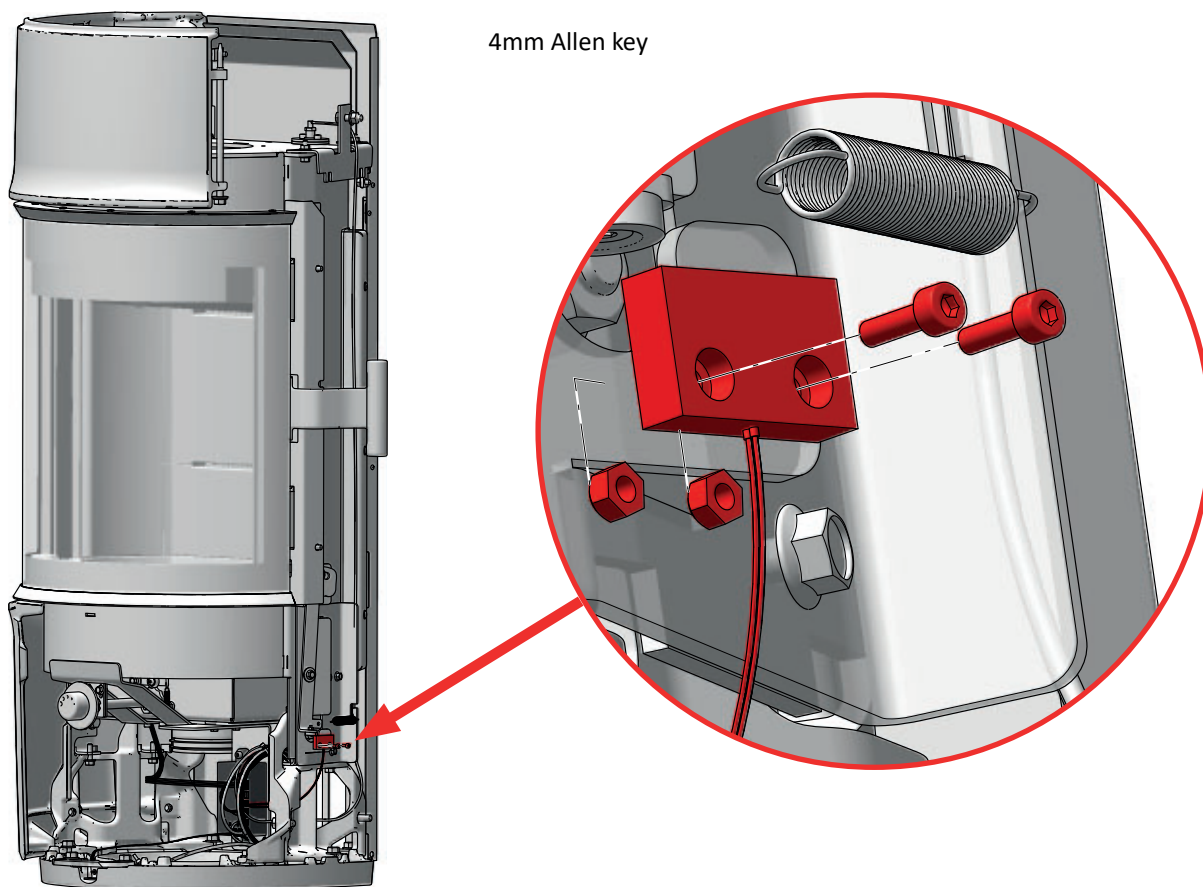


DISASSEMBLY DOOR SENSOR

1

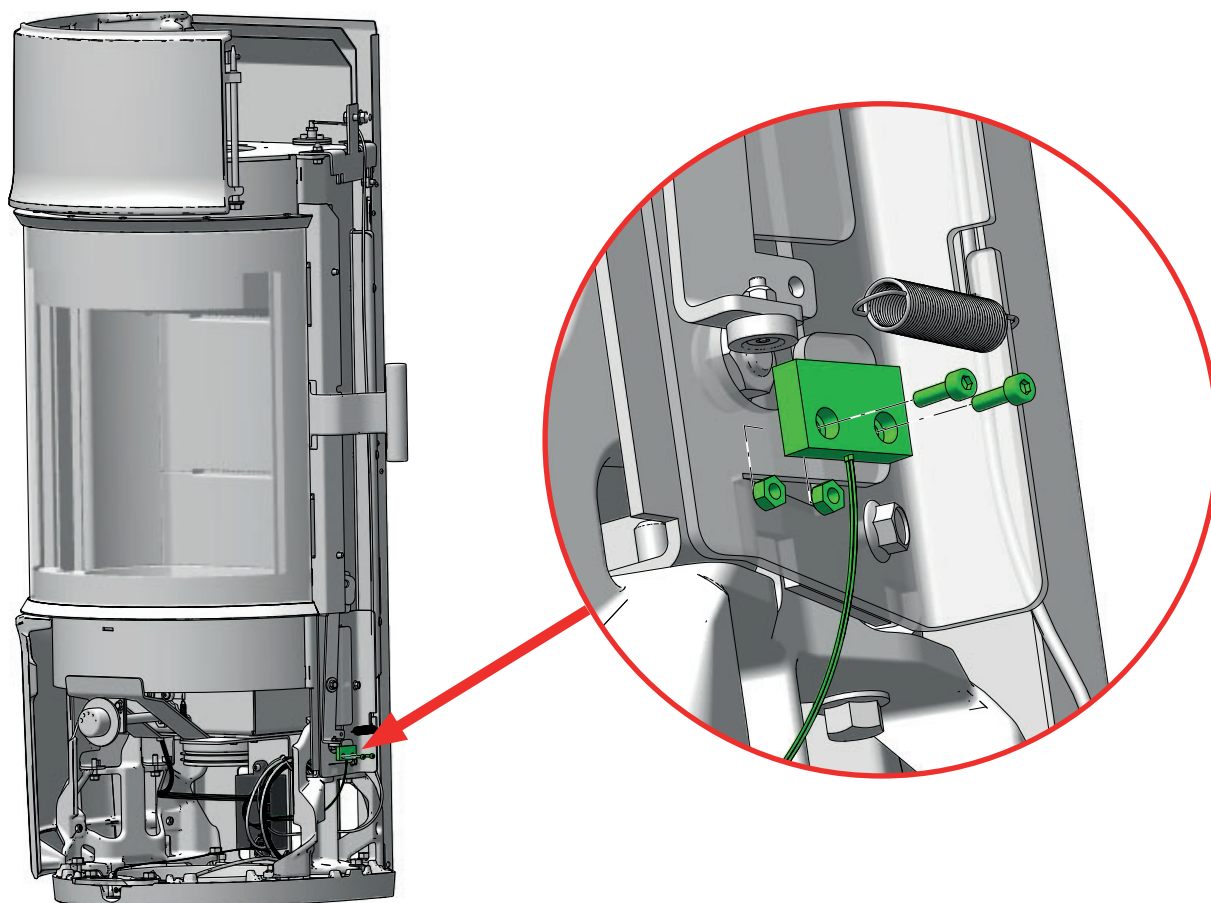


2

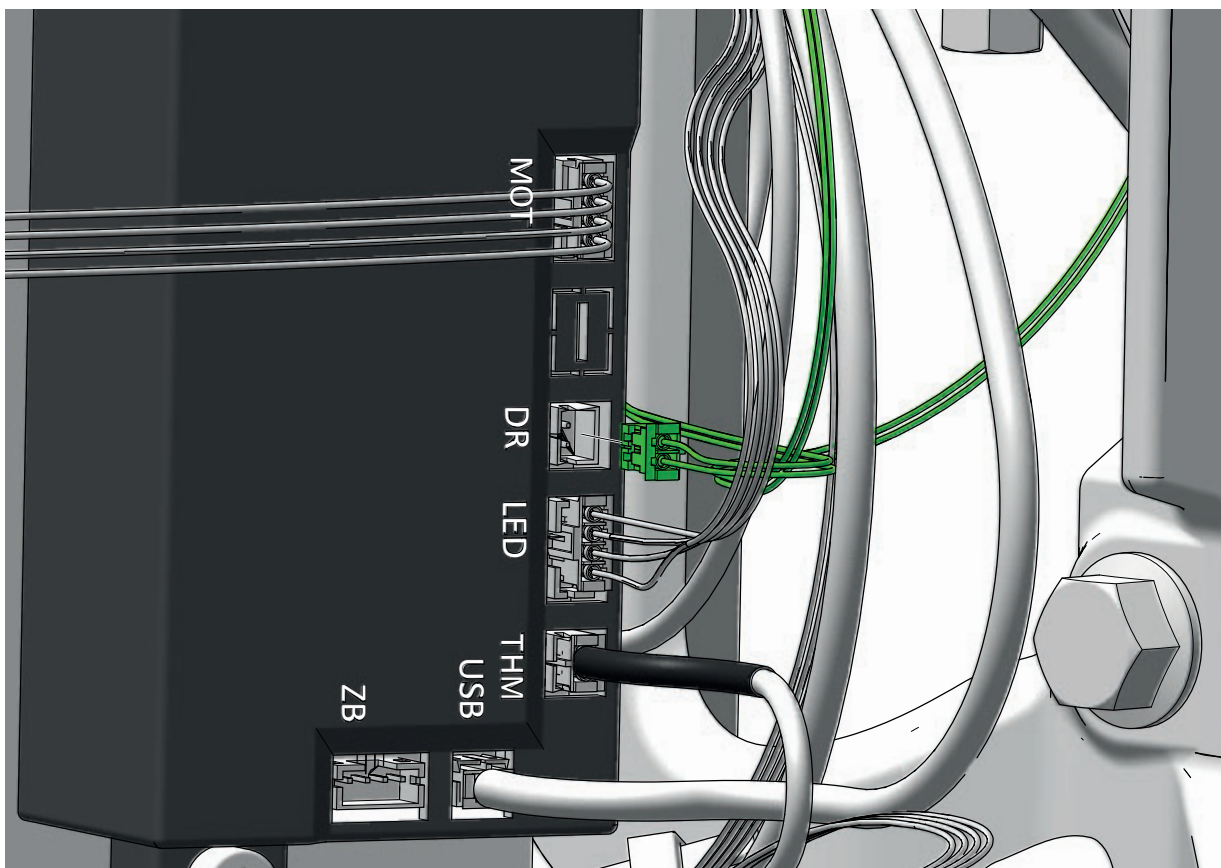


ASSEMBLY DOOR SENSOR

1

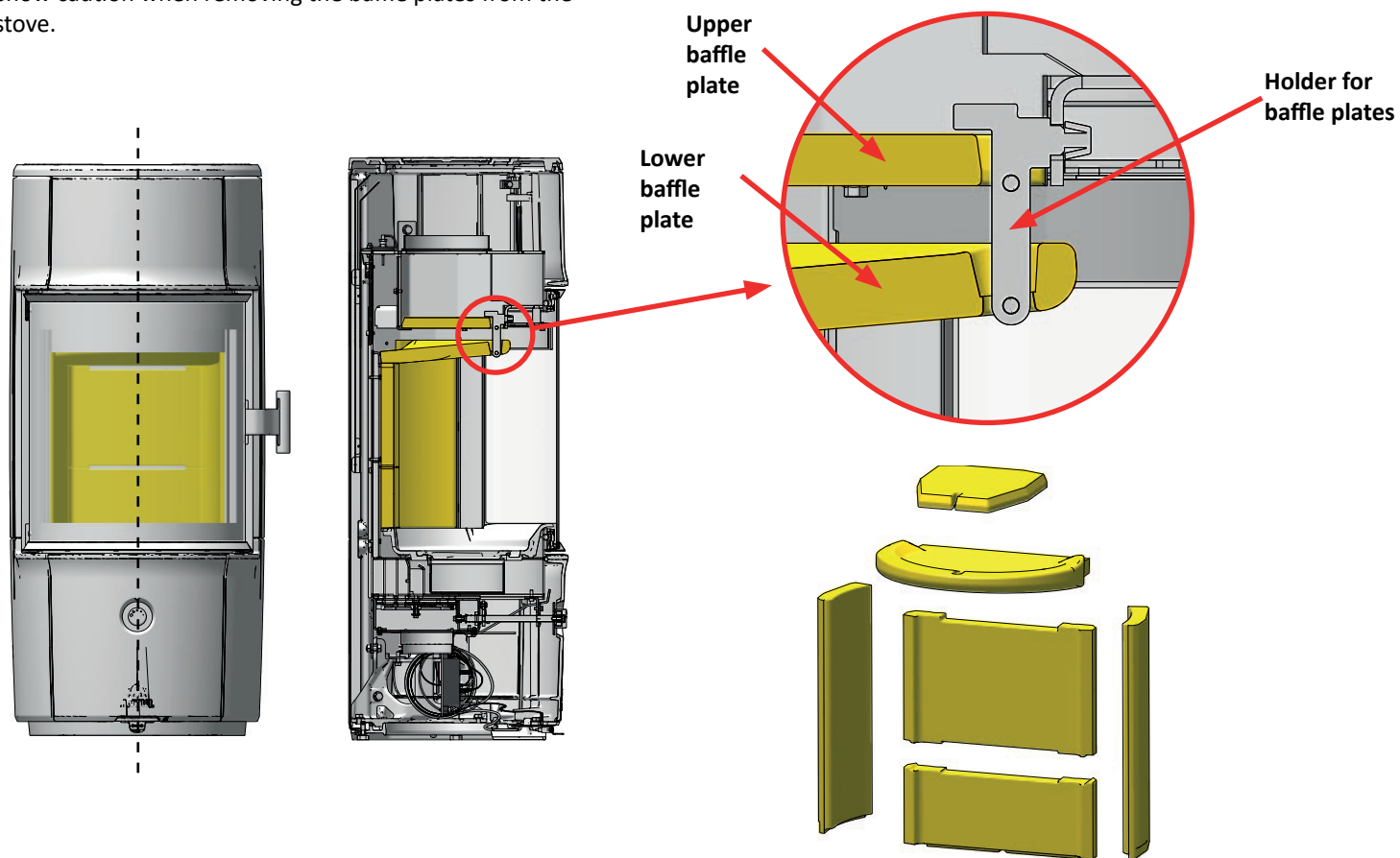


2



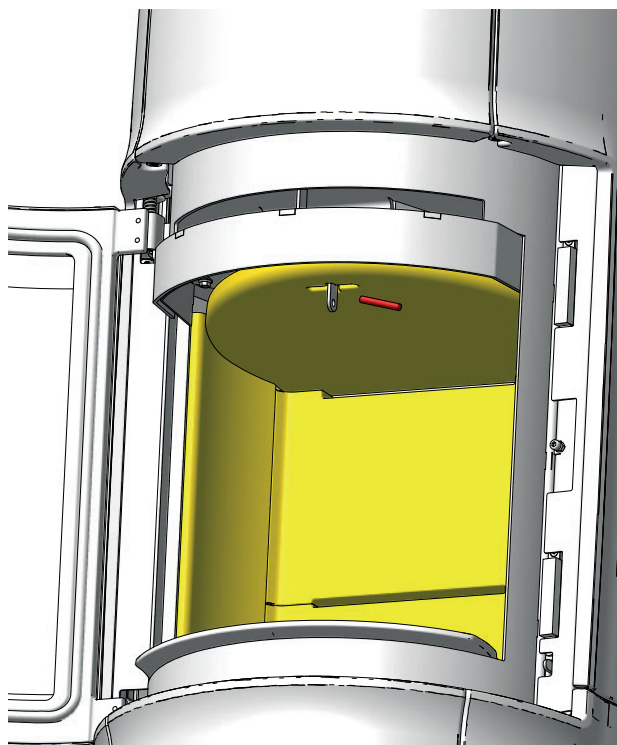
REMOVAL OF BAFFLE PLATES AND COMBUSTION CHAMBER LINING

Show caution when removing the baffle plates from the stove.

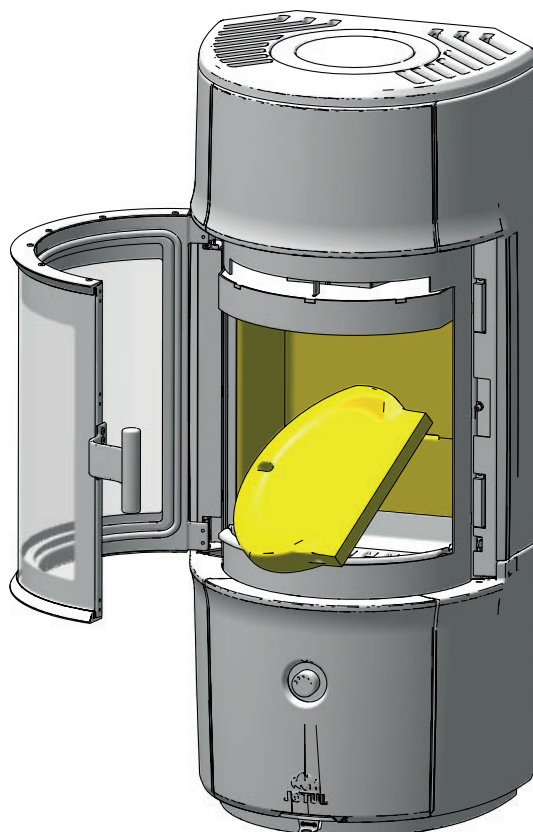


Combustion chamber lining

1

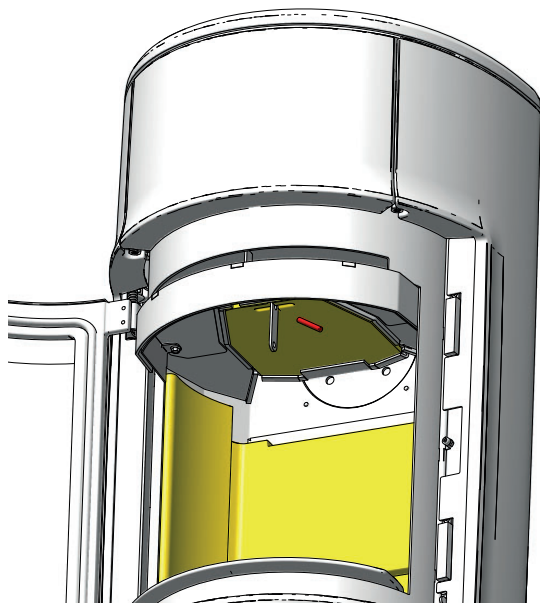


2

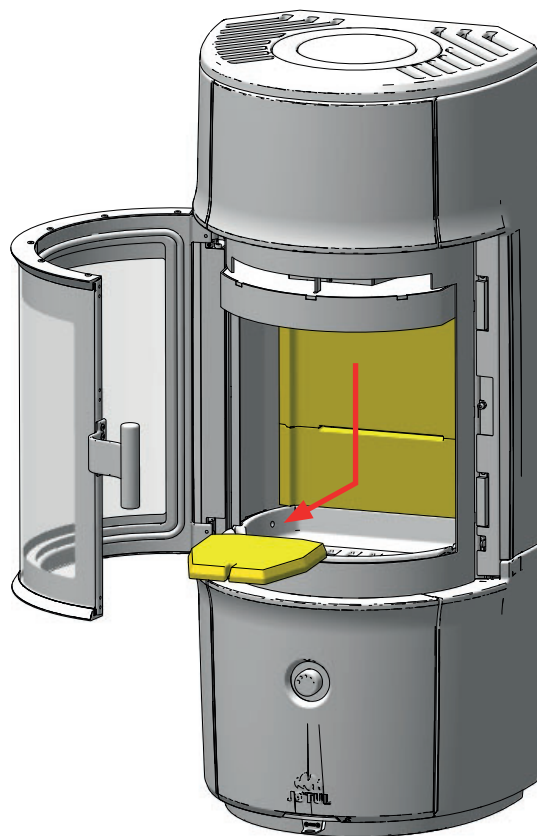


REMOVAL OF BAFFLE PLATES AND COMBUSTION CHAMBER LINING

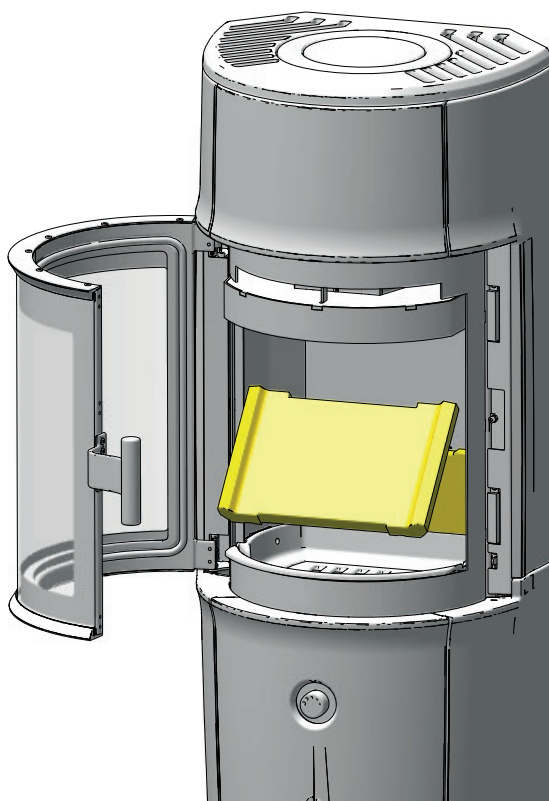
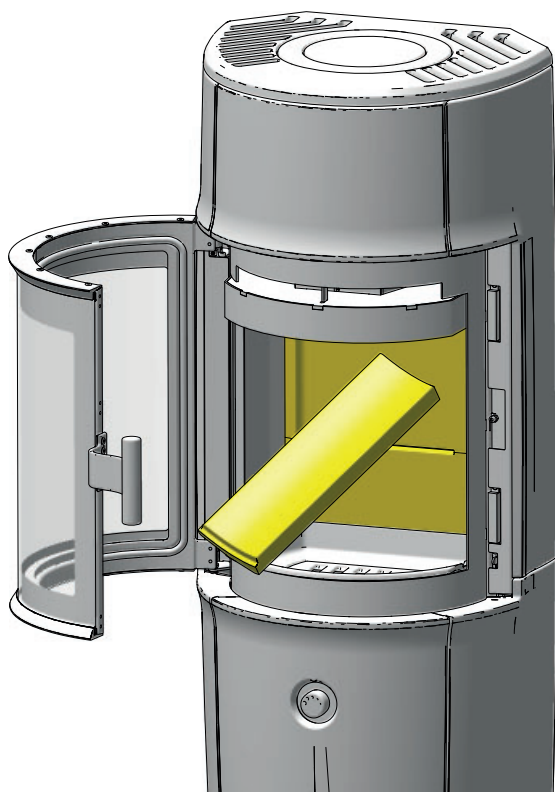
3



4



5



OPERATIONAL PROBLEMS - TROUBLESHOOTING

POOR DRAUGHT

Check that the length of the chimney complies with national legislation and regulatory requirements. (For further information, see section “Technical Data” and “Installation” (Chimney and flue pipe).)

Check that the minimum cross-section of the chimney is in accordance with the specification in “Technical Data” in the Installation Manual.

Make sure that there is nothing preventing the smoke from escaping: branches, trees, etc.

Seek professional advice and help if you suspect that the chimney is not drawing properly (too much/too little draught).

THE FIRE DIES OUT AFTER A WHILE

- Make sure that the fuel is dry enough.
- Check whether there is negative pressure in the house. Turn off fans and open a window close to the stove.
- Make sure the air vent is open.
- Make sure the smoke outlet is not clogged with soot.

IF THERE IS EXCESSIVE SOOT ON THE GLASS

There will always be some soot on the glass, but the amount depends on:

- How dry the fuel is.
- The local draught conditions.
- Adjustment of the air vent.

Most of the soot layer will normally be burned off when the air vent is fully opened and the fire is burning briskly

OPTIONAL EXTRAS

HEAT ACCUMULATING STONES

10062576

OUTSIDE AIR CONNECTION Ø100MM

51012164

WARRANTY TERMS

OUR WARRANTY COVERS:

Jøtul AS guarantees that the external cast iron parts are free from material defects or production faults at the time of purchase. The warranty is valid for 5 years from the date of delivery. You can extend the warranty for external cast-iron parts to 25 years from the date of delivery by registering the product on jotul.com, and by printing the extended warranty card, within three months of the purchase. We recommend that you store the warranty card together with your receipt. Jøtul AS also guarantees that steel components are free from material defects or production faults at the time of purchase, for a period of 5 years from the delivery date.

The warranty applies on condition that the stove has been installed by a qualified fitter in accordance with the applicable laws and regulations, and that Jøtul's installation and operating instructions are followed. Repaired products or replacement elements are guaranteed within the original warranty period.

Jøtul warrants that the electronic components in Jøtul wood stoves are free from defects in materials or manufacturing for a period of two (2) years from the date of purchase.

THE WARRANTY DOES NOT COVER:

- Damage to consumables such as burn plates, inner bottoms, smoke baffles, gaskets, etc., which are damaged over time by normal wear and tear.
- Damage resulting from inadequate maintenance, overheating, the use of unsuitable fuel (examples of unsuitable fuel include, but are not limited to, driftwood, impregnated wood, plank offcuts, chipboard) or wood that is too damp/wet.
- The installation of optional extras with the aim of rectifying local draught conditions, air supply or other circumstances beyond Jøtul's control.
- Alterations/modifications to the fireplace without Jøtul's consent or the use of non-original parts.
- Damage caused during storage at a distributor, transport from a distributor or during installation.
- Products that are sold by unauthorised dealers in areas where Jøtul operates with a selective distribution system.
- Associated costs (examples include, but are not limited to, transport, labour, travel) or indirect damage.

For pellet ovens, glass, stone, concrete, enamel and paint (examples include, but are not limited to, chipping, cracks, bubbles or discolouration and crazing), the right to make a complaint applies. This warranty is valid for purchases made within the European Economic Area (EEA). All warranty claims must be submitted to the authorised Jøtul dealer within a reasonable amount of time, and no later than 14 days from the time when the fault or deficiency was first discovered. See the list of importers and dealers on our website: www.jotul.com/no/forhandlere/finn-forhandler.

If Jøtul is not in a position to fulfil the obligations outlined in the above warranty terms, Jøtul will offer a replacement product with a similar heating capacity free of charge.

Jøtul reserves the right to reject the replacement of parts or services if the warranty has not been registered online. The warranty does not affect any rights in relation to the applicable right to make a complaint. The warranty applies from the date of purchase, and only against a receipt/serial number.



Jøtul continuously strives to improve its products and reserves the right to modify specifications, colours and fittings without prior notice.

Quality

Our quality policy should provide our customers with the security and quality experience that Jøtul has stood for ever since the business was founded in 1853.