

Jøtul F 105 R

UK	-	Installation and operating instructions	4
FR	-	Manuel d'installation et d'utilisation	27
ES	-	Instrucciones para instalación	50



Jøtul F 105 B

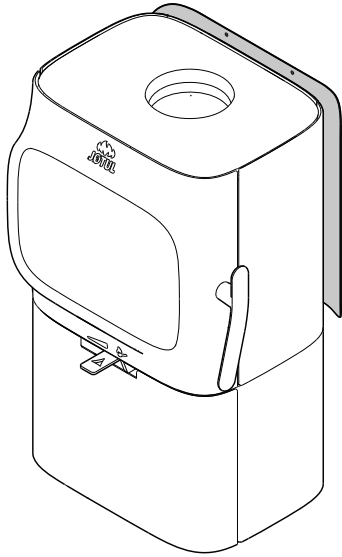


Jøtul F 105 LL

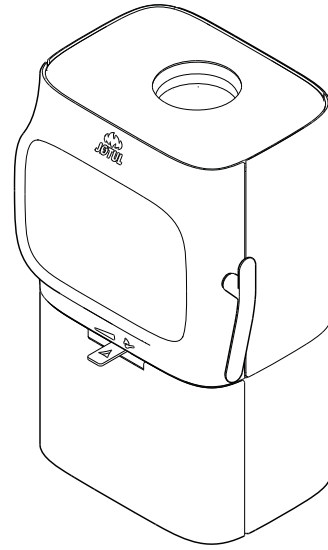


Jøtul F 105 SL

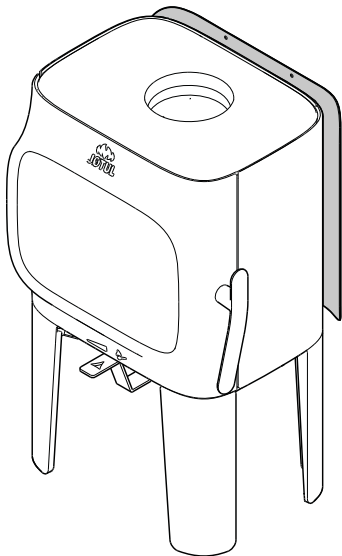
Jøtul F 105 B
(Base)



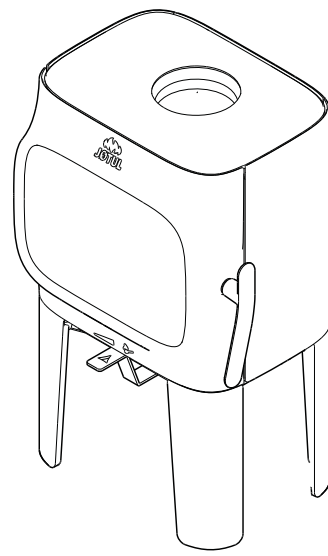
Jøtul F 105 R B
(Base)



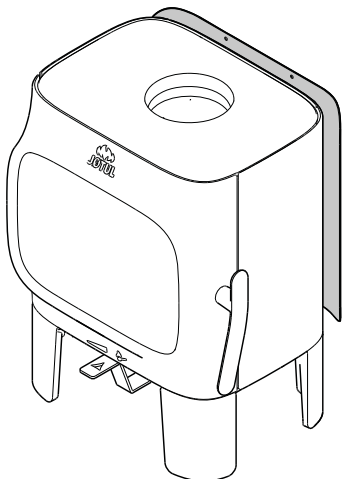
Jøtul F 105 LL
(Long legs)



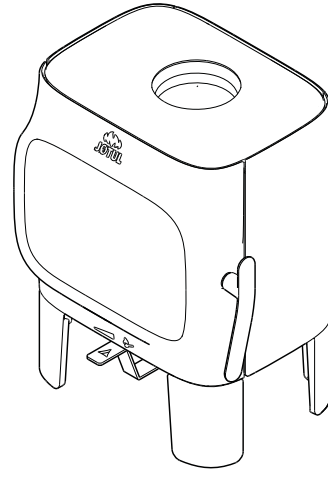
Jøtul F 105 R LL
(Long legs)



Jøtul F 105 SL
(Short legs)



Jøtul F 105 R SL
(Short legs)






Requirements / Exigences / Requisitos / Requisiti / Vereisten / Forderungen	
Supplier / Fabricante / Fornitore / Vereisten / Lieferant:	Jøtul AS
Product models Produits concernés Modelos Modelli Product modellen Varianten der Feuerstelle	Jøtul F 105 Series: Jøtul F 105 B Jøtul F 105 LL Jøtul F 105 SL Jøtul F 105 R B Jøtul F 105 R LL Jøtul F 195 R SL
Energy efficiency class / Classe énergétique / Clase de eficiencia energética / Classe energetica / Energie efficiëncy klasse / Energieeffizienz-Klasse	A+
Direct heat output / Puissance réelle de sortie / Potencia calorífica emitida / Emissione di calore diretta / Directe warmte afgifte / Nennwärmeleistung	4,5 kW
Energy efficiency index / Index de rendement énergétique / Índice de eficiencia energética / Indice di efficienza energetica / Energie efficiëncy index / Energieeffizienz-Index	111,4
Efficiency at nominal heat output / Rendement à puissance nominale / Eficiencia al rendimiento nominal / Efficienza alla potenza nominale / Efficiency bij nominale warmte afgifte / Wirkungsgrad bei Nennheizleistung	83 %
<ul style="list-style-type: none"> • Any specific precautions that shall be taken when the local space heater is assembled installed or maintained. • Toutes les précautions spécifiques doivent être prises lors de l'assemblage, l'installation ou l'entretien de l'appareil. • Cualquier precaución específica que deba tenerse en cuenta durante el montaje, instalación o mantenimiento del equipo de calefacción • Precauzioni specifiche da prendere quando il riscaldatore viene assemblato, installato o mantenuto in uno spazio. • Eventuele specifieke voorzorgsmaatregelen die worden genomen wanneer de plaatselijke ruimteverwarming wordt gemonteerd, geïnstalleerd of onderhouden. • Besondere Maßnahmen bei Montierung, Installation und Wartung. 	<ul style="list-style-type: none"> • Fire safety precautions such as safety distances when installing, national standards, local codes and regulations. See the Instructions manual. • Les précautions d'incendie telles que les distances de sécurité lors de l'installation, le suivi des normes, les codes locaux et les réglementations nationales. Veuillez lire le manuel d'installation. • Precauciones frente a incendios como distancia de seguridad en la instalación, estándares nacionales, códigos locales y reglamentos. Lea el manual de instalación. • Precauzioni per la sicurezza antincendio come le distanze di sicurezza durante l'installazione, le normative nazionali e locali. Leggere il manual. • Brandveiligheidsmaatregelen, zoals veiligheidsafstanden bij installatie, nationale normen, lokale codes en voorschriften. Lees de installatiehandleiding. • Für brenntechnische Verhältnisse, wie z.B. Aufstellbedingungen und nationale Forderungen. Siehe die Montage- und Bedienungsanleitung.

ENGLISH

Table of contents

1.0	Technical data	4
2.0	Relationship to the authorities	4
3.0	Safety	5
4.0	Installation	13
5.0	Daily Use	22
6.0	Maintenance	23
7.0	Servicing	23
8.0	Optional Extras	26
9.0	Recycling	26
10.0	Warranty	26

Register your fireplace at jotul.com for a 25-year warranty

Product: Jotul Room heater fired by solid fuel			
			
Standard Minimum distance to adjacent combustible materials: Minimum distance to adjacent combustible materials: Emission of CO in combustion products: Flue gas temperature: Nominal heat output: Efficiency: Operation range: Fuel type: Operational type: The appliance can be used in a shared flue.			
Country	Classification	Certificate/standard	Approved by
Norway	Klasse II		
Sweden	osc	SP	SP Sveriges Provnings- och Forskningsinstitut AB
EUR	Intermittent	EN	SP Swedish National Testing and Research Institute
Follow user's instructions. Use only recommended fuels. Montage- und Bedienungsanleitung beachten. Verwenden Sie nur empfohlenen Brennstoffen. Respecter les consignes d'utilisation. Utilisez uniquement les combustibles recommandés.			
Lot no: Y-xxxx, Year: 200x			
Manufacturer: Jotul AS PCB 1441 N-1602 Fredrikstad Norway		221546	

On all our products there is a label indicating the serial number and year. Write this number in the place indicated in the installation instructions.

Always quote this serial number when contacting your retailer or Jøtul.

Lot no. Pin.

1.0 Relationship to the authorities

- Installation of a fireplace must be carried out in compliance with national laws and regulations. All local ordinances, including those that refer to national and European standards, must be complied with when products are installed.
- The installation can only be put into use after it has been checked by a qualified inspector.
- Contact your local building authorities before installing a new fireplace.

2.0 Technical data

Material:	Cast iron
Finish:	Paint / enamel
Fuel:	Wood
Log length, max:	33 cm
Smoke outlet:	Top, rear
Flue pipe dimension:	Ø 125 mm
Outside air connection:	Ø 80 mm

Product weight:

Burnchamber with short legs:	94 kg
Burnchamber with long legs:	97 kg
Burnchamber with base:	107 kg
Soapstone top:	14,5 kg
Optional extras	Ash lip, kit for outside air connection, soapstone top, ash lip for Jøtul F 105 with legs, handle for ash pan, convection plate

Product dimensions, distances: See **Fig. 1**

Technical data in acc. with EN 13240

Nominal heat output:	4,5 kW
Flue gas volume:	4,2 g/s
Chimney draught, EN 13240:	12 Pa
Recommended negative pressure in smoke outlet:	14-16 Pa
Efficiency:	83% @ 5,2 kW
CO emissions (13% O ₂):	0,09%
CO emissions (13% O ₂):	1101 mg / Nm ³
NOx at 13% O ₂ :	99 mg / Nm ³
OGC @ 13 % O ₂ :	76 mg/Nm ³
Particle emission NS 3059:	2,7 g / kg
Air consumption:	3,4 litre/sec or 12,2 m ³ /h
Chimney temperature, EN 13240:	231 °C
Temperature in smoke outlet:	277 °C
Dust:	<7 mg/Nm ³ @ 13% O ₂

Type of fuel:	Wood
Max. log length:	33 cm
Fuel consumption:	1,51 kg/h
Max. kindling amount:	2,0 kg
Nominal kindling amount:	1,1 kg
Operation:	Intermittent

Intermittent combustion here means normal use of a fireplace, i.e. add more fuel as soon as the fire has burned down to embers.

3.0 Safety

NB! To guarantee optimal performance and safety, Jøtul recommends that its stoves are fitted by a qualified installer (see www.jotul.com for a complete list of dealers).

Any modifications to the product by the distributor, installer or consumer may result in the product and safety features not functioning as intended. The same applies to the installation of accessories or optional extras not supplied by Jøtul. This may also be the case if parts that are essential to the functioning and safety of the fireplace have been disassembled or removed.

In all these cases, the manufacturer is not responsible or liable for the product and the right to make a complaint becomes null and void.

NB: Parts of the stove, in particular, the external surfaces, get hot during combustion! Exercise caution!

Caution! Do not store wood underneath the product with legs.

The Clean Air Act

“The Clean Air Act 1993 and Smoke Control Areas”

Under the Clean Air Act local authorities may declare the whole or part of the district of the authority to be a smoke control area. It is an offence to emit smoke from a chimney of a building, from a furnace or from any fixed boiler if located in a designated smoke control area. It is also an offence to acquire an “unauthorised fuel” for use within a smoke control area unless it is used in an “exempt” appliance (“exempted” from the controls which generally apply in the smoke control area).

In England appliances are exempted by publication on a list by the Secretary of State in accordance with changes made to sections 20 and 21 of the Clean Air Act 1993 by section 15 of the Deregulation Act 2015. Similarly in Scotland appliances are exempted by publication on a list by Scottish Ministers under section 50 of the Regulatory Reform (Scotland) Act 2014.

In Northern Ireland appliances are exempted by publication on a list by the Department of Agriculture, Environment and Rural Affairs under Section 16 of the Environmental Better regulation Act (Northern Ireland) 2016.

In Wales appliances are exempted by regulations made by Welsh Ministers.

Further information on the requirements of the Clean Air Act can be found here: <https://www.gov.uk/smoke-control-area-rules>

Your local authority is responsible for implementing the Clean Air Act 1993 including designation and supervision of smoke control areas and you can contact them for details of Clean Air Act requirements.

The Jøtul F 105 B., Jøtul F 105 LL, Jøtul F 105 SL, Jøtul F 105 R B, Jøtul F 105 R LL and Jøtul F 105 R SL have been recommended as suitable for use in smoke control areas when burning wood logs.

3.1 Fire Prevention Measures

There is a certain element of danger every time you use your fireplace. The following instructions must therefore be followed:

- The minimum safety distances when installing and using the fireplace are given in **fig. 1**. The specified distance to flammable materials, applies to this stove.
- The stove must be installed with a CE approved flue. The distance of the flue pipe to combustible materials must also be observed.
- Ensure that furniture and other flammable materials are not too close to the fireplace. Flammable materials should not be placed within 900 mm of the fireplace.
- Allow the fire to burn out. Never extinguish the flames with water.
- The fireplace becomes hot when lit and may cause burns if touched.
- Only remove ash when the fireplace is cold. Ash can contain hot embers and should therefore be placed in a non-flammable container.
- Ash should be placed outdoors or be emptied in a place where it will not present a potential fire hazard.

In case of chimney fire:

- Close all hatches and vents.
- Keep the firebox door closed.
- Check the loft and cellar for smoke.
- Call the fire service.
- Before use after a fire an expert must check the fireplace and the chimney in order to ensure that it is fully functional.

Steel chimney

If a top-mounted steel chimney is used, fit an uninsulated pipe from the burn chamber to approx. 10 mm over the top grate. Make sure that the gasket is properly seated between the flue pipe and the smoke outlet. Then fit the steel chimney in accordance with the chimney supplier’s installation instructions.

3.2 Floor

Foundation

You need to make sure the foundation is suitable for a fireplace. See “**2.0 Technical Data**” for specified weight.

We recommend the removal of any flooring that is not attached to the foundation (“floating floors”) beneath the installation.

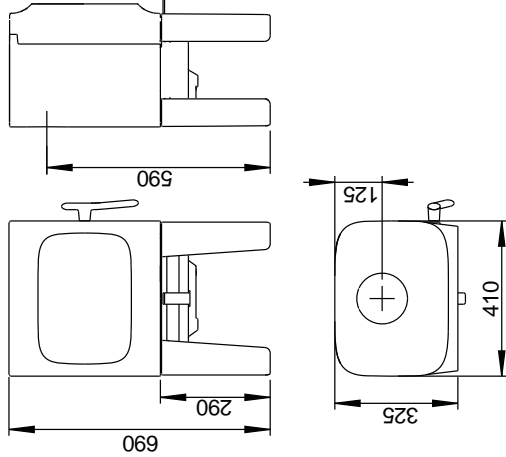
Jøtul F 105 SL (with short legs)

Jøtul F 105 SL can only be installed on a hearth which must have an extension of minimum 500 mm in front of the stove. This applies also if the product rests on a floor plate. If an ash lip is installed the the hearth must have an extension of 225 mm in front of the stove. For further information please see Approved Document J2010 Section 2.22.

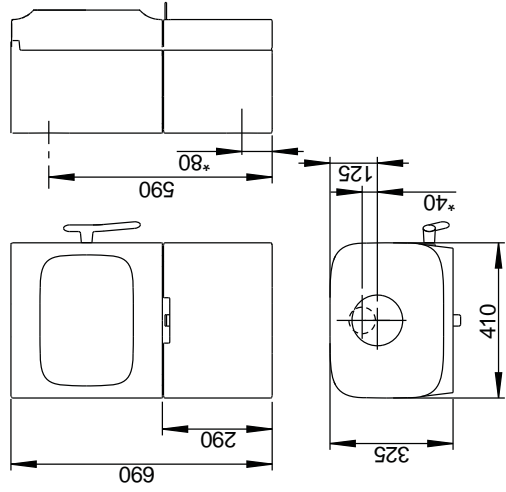
Jøtul F 105 R

Fig. 1 a

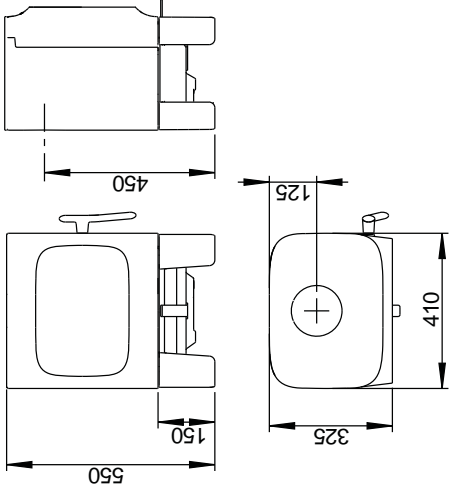
Jøtul F 105 R with long legs



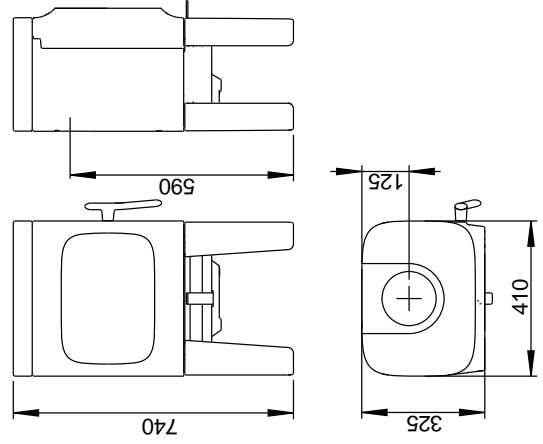
Jøtul F 105 R with base



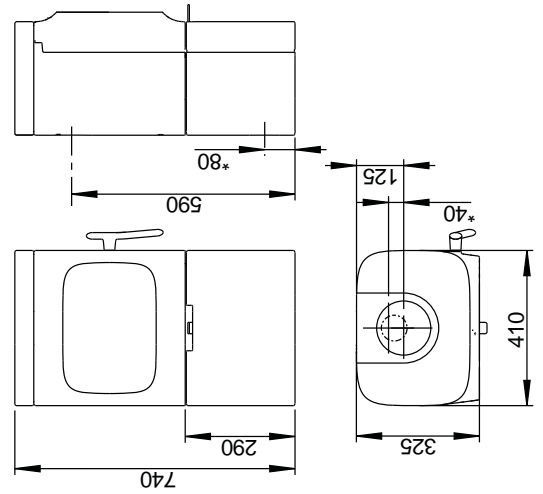
Jøtul F 105 R with short legs



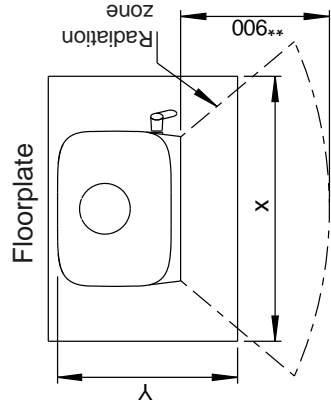
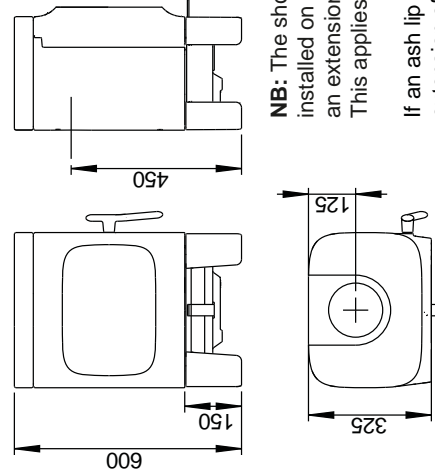
Jøtul F 105 R long legs and soapstone top



Jøtul F 105 R with base and soapstone top



Jøtul F 105 R with short legs and soapstone top



Min. measurements floorplate

X / Y = According to national laws and regulations

** Min. distance to furniture / combustible material

NB: The short legged version (F 105 R SL) can only be installed on a hearth which must have an extension of minimum 500 mm in front of the stove. This applies also if the product rests on a floor plate.

If an ash lip is installed the the hearth must have an extension of 225 mm in front of the stove.

For further information please see Approved Document J2010 Section 2.22.

* Outside air connection

Jøtul F 105 R Min. distance to combustible wall

Combustible wall

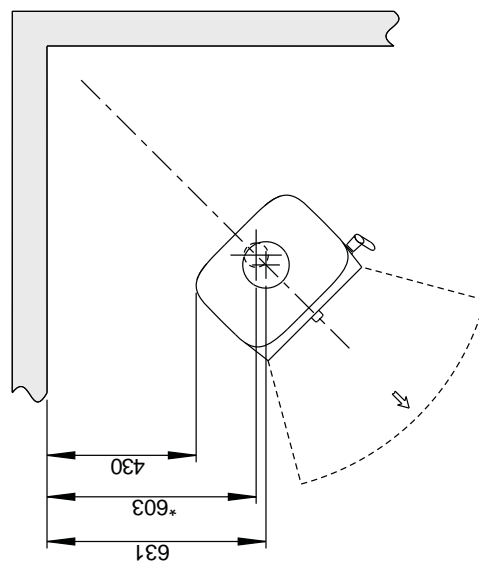
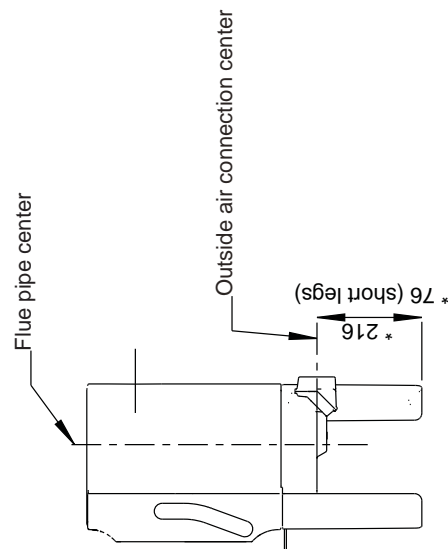
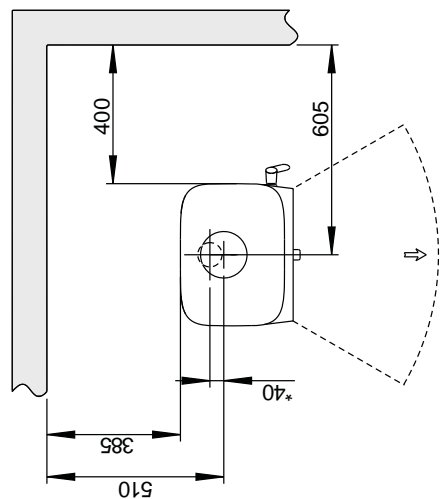
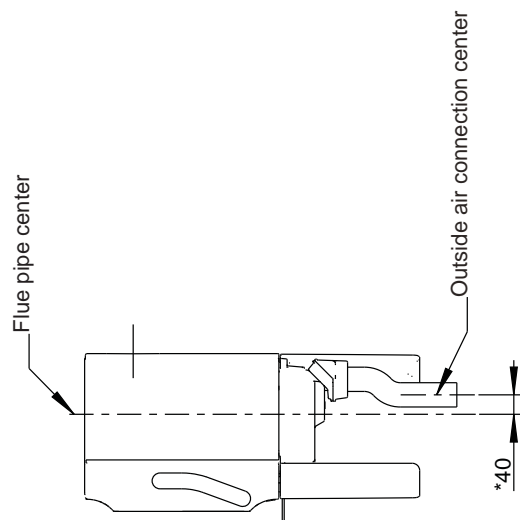



Fig. 1 b

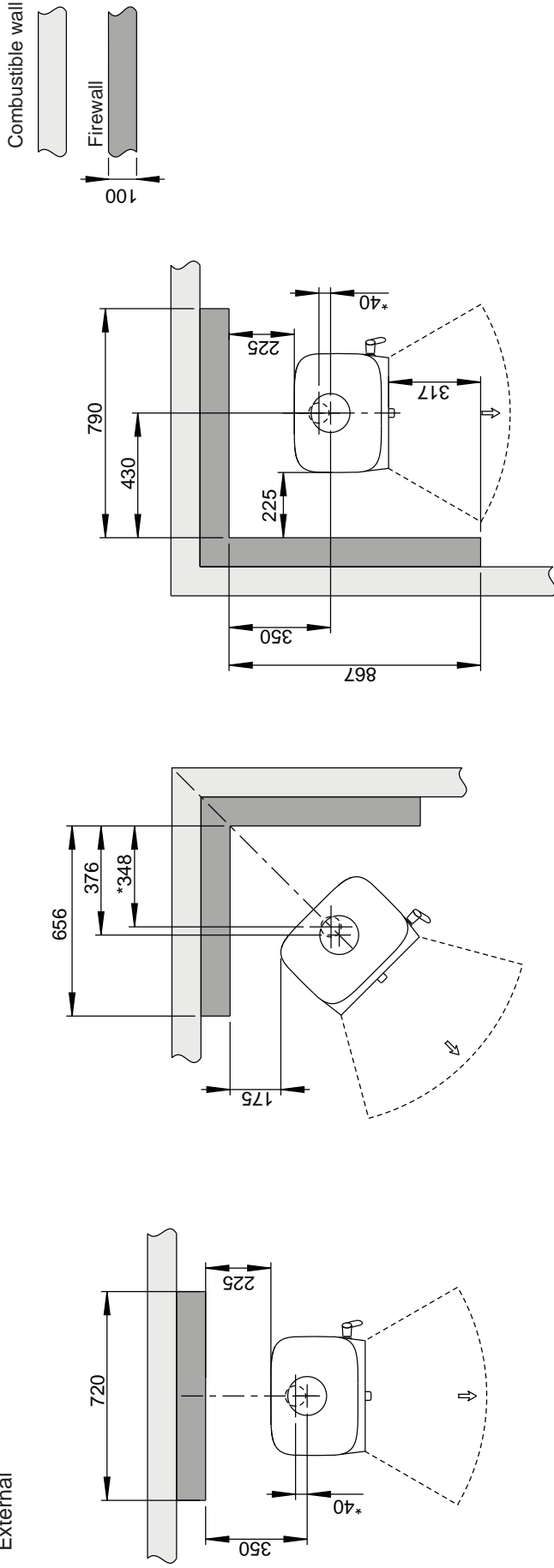
* Outside air connection

*** Distance to combustible wall with semi-insulated / shielded flue pipe (min.30 mm insulation)

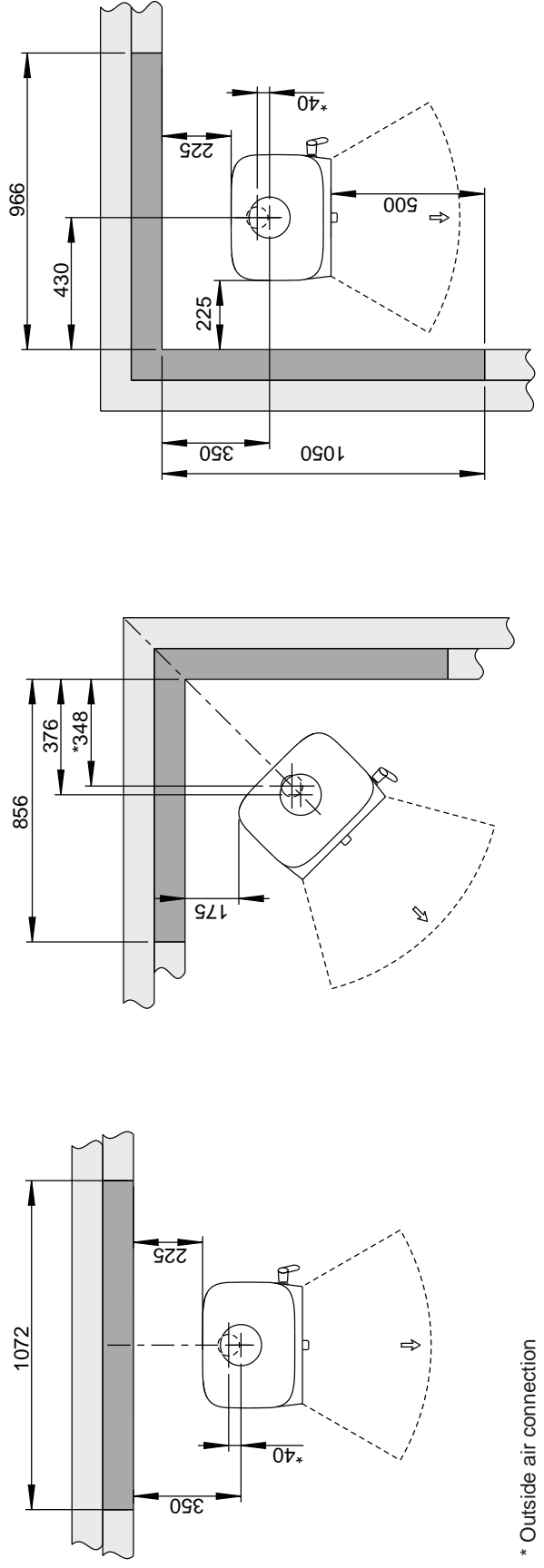
Jøtul F 105 R Min. distance to combustible wall protected by firewall

Fig. 1 c

External



Integrated

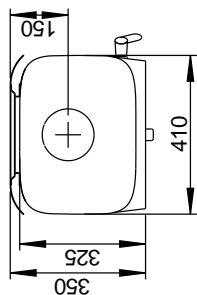
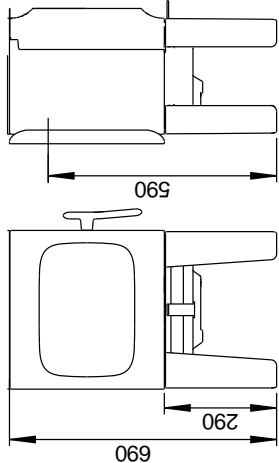


* Outside air connection

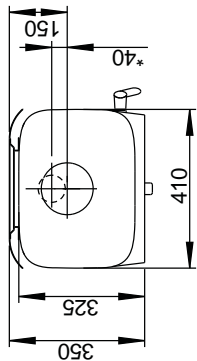
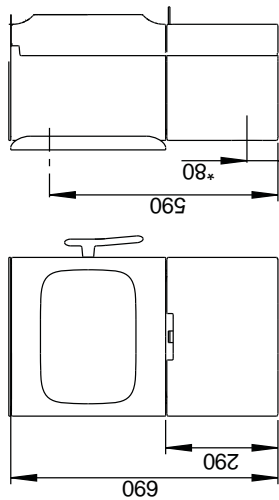
Jøtul F 105

Fig. 1 d

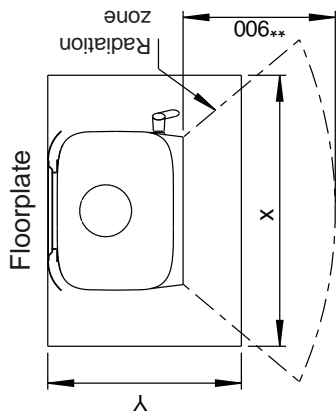
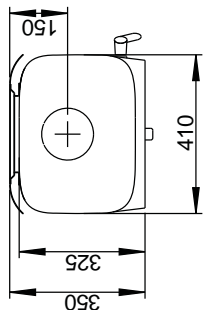
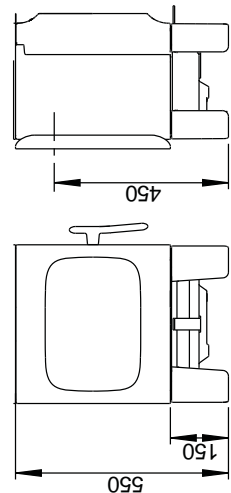
Jøtul F 105 with long legs



Jøtul F 105 with base



Jøtul F 105 with short legs

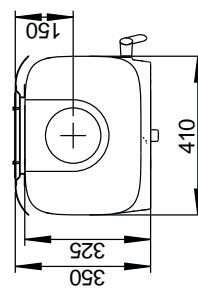
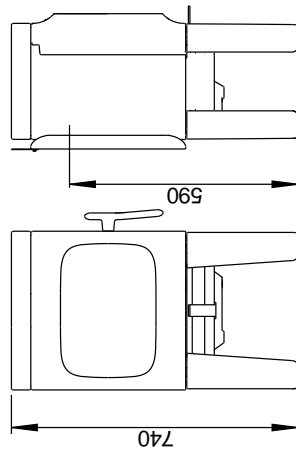


Min. measurements floorplate

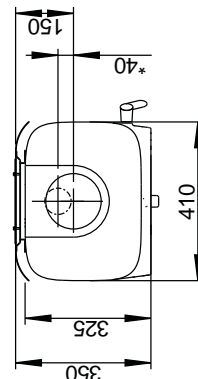
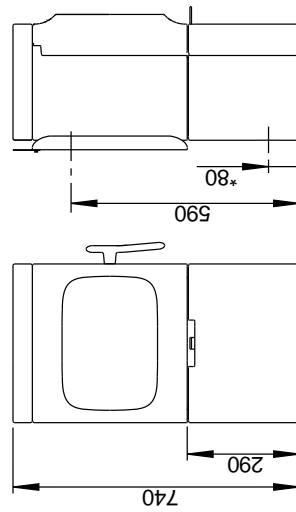
X / Y = According to national laws and regulations

** Min. distance to furniture / combustible material

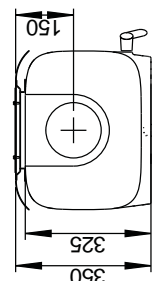
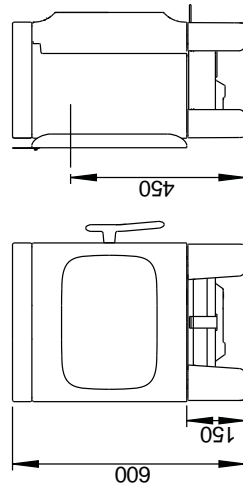
Jøtul F 105 long legs and soapstone top



Jøtul F 105 with base and soapstone top



Jøtul F 105 with short legs and soapstone top



NB: The short legged version (F 105 SL) can only be installed on a hearth which must have an extension of minimum 500 mm in front of the stove. This applies also if the product rests on a floor plate.

If an ash lip is installed the the hearth must have an extension of 225 mm in front of the stove.

For further information please see Approved Document J2010 Section 2.22.

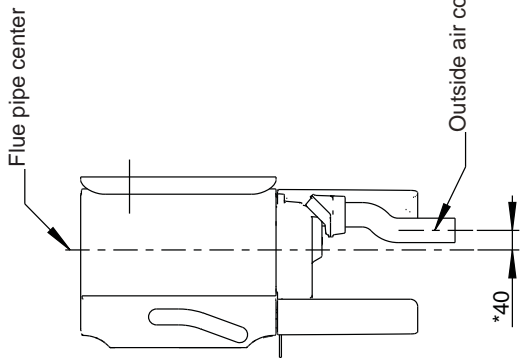
* Outside air connection

900181-F03

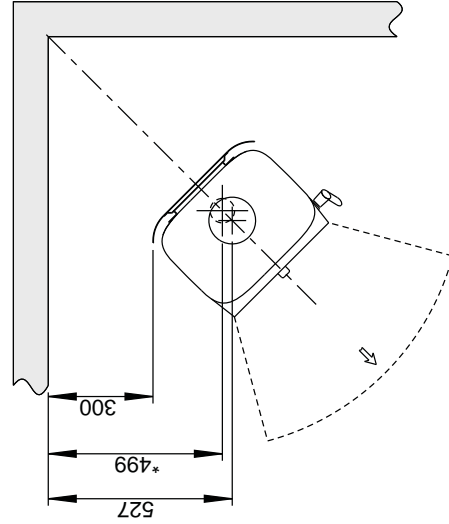
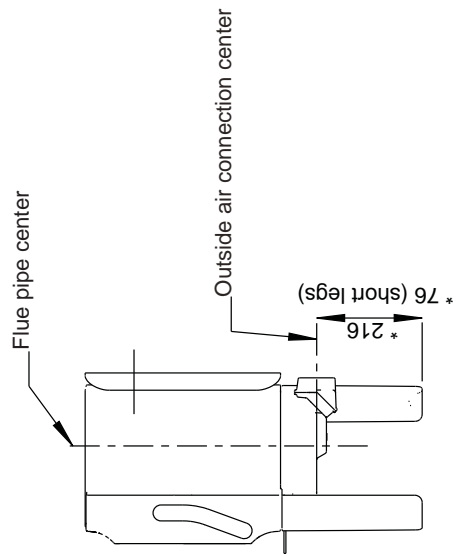
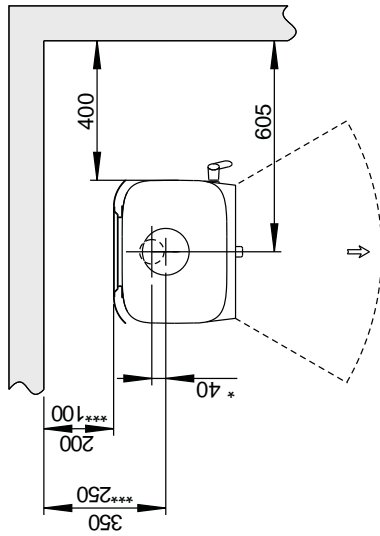
Jøtul F 105 Min. distance to combustible wall

Fig. 1 e

Combustible wall



Med standard konveksjonsplate



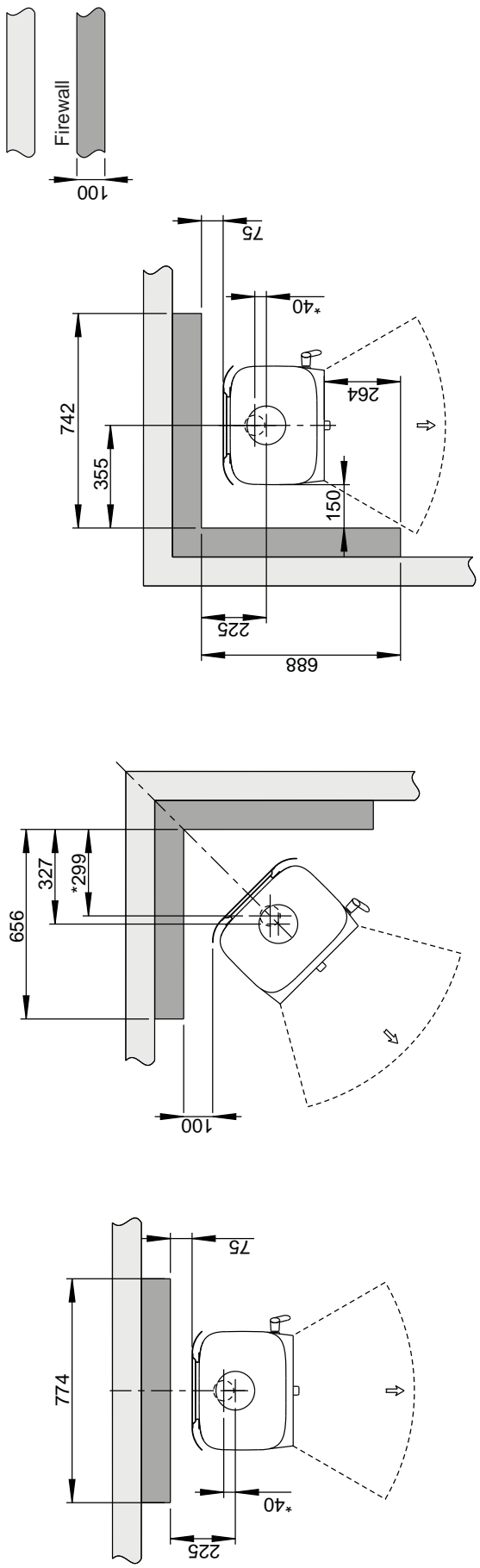
* Outside air connection

*** Distance to combustible wall with semi-insulated / shielded flue pipe (min.30 mm insulation)

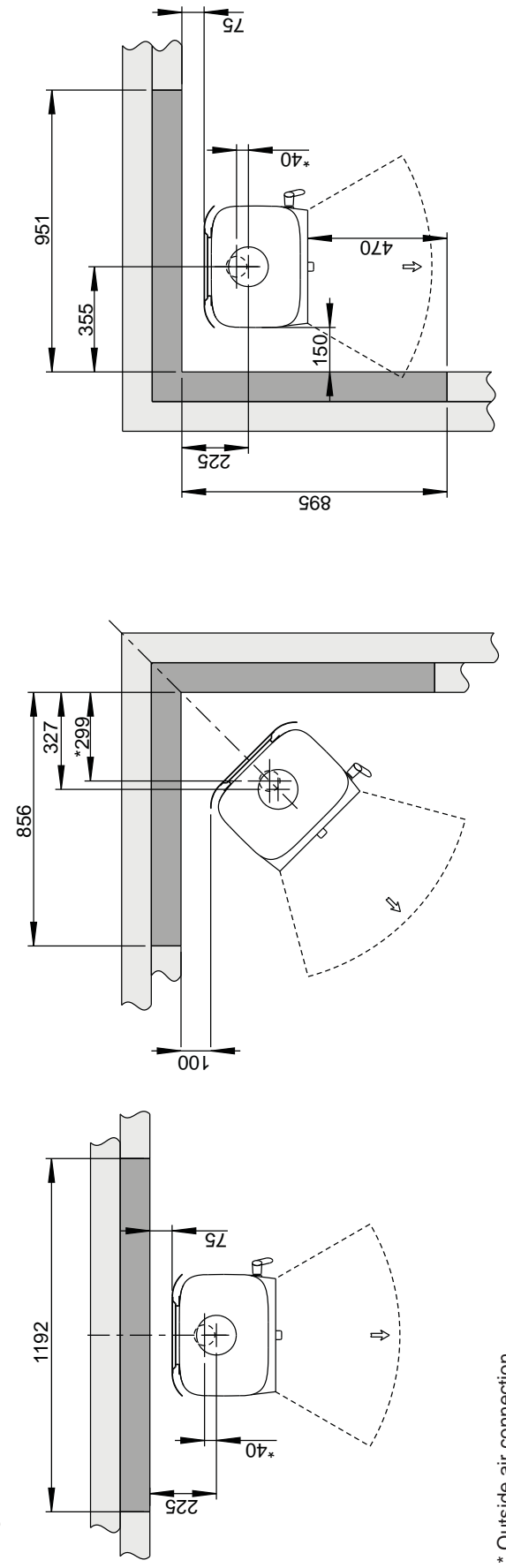
Jøtul F 105 Min. distance to combustible wall protected by firewall

Fig. 1 f

External



Integrated



* Outside air connection

900181-P02

ENGLISH

Requirements for protection of wooden flooring beneath the fireplace

The function of a floor plate is to protect the floor and flammable materials against embers.

Jøtul F 105 with legs must have a floorplate below and in front according to national standards and regulations.

Important! The space under the burnchamber of Jøtul F 105 with legs cannot be used for storage.

Jøtul recommends that any flooring made of combustible material, such as linoleum, carpets, etc. should be removed from under the floor plate.

Requirements for protection of inflammable floors in front of the fireplace

The front plate must comply with national laws and regulations. Contact your local building authorities regarding restrictions and installation requirements.

3.3 Walls

Distance to walls made of combustible material - see fig. 1

Distance to combustible wall protected by firewall: See fig. 1.

The fireplace may be used with an uninsulated flue pipe provided the distances between the fireplace and walls made of combustible materials are as shown in **fig. 1**. Alternative distances with shielded or insulated flue pipe are also displayed in fig. 1.

NB: Place the product in such a way that it is possible to clean the stove, the flue pipe and the chimney passage.

Note! Ensure that furniture and other flammable materials are not too close to the fireplace. Flammable materials should not be placed within 900 mm of the fireplace.

NB: Make sure that furniture and other household items are not so close as to get dried up by the stove.

Fresh air supply

The air used for combustion in any well-insulated house needs to be replaced. This is particularly important in houses with mechanical ventilation. Such replacement air can be procured in several ways. The most important thing is to supply the air to the room where the stove is placed. Place the outside wall valve as close to the stove as possible and make sure that it can be closed when the stove is not in use.

For the fresh air supply connection, follow the national and local building regulations.

Closed combustion system

Use the stove's closed combustion system if you live in recently built, airtight dwellings. Connect the external combustion air through a ventilation pipe through the wall or the floor.

Air supply

The amount of combustion air for Jøtul's products is approximately 20-40 m³/h. The outside air connection may be fitted directly to the Jøtul F 105 through:

- the bottom
- through a flexible supply hose from the outside/chimney (only if the chimney has its own duct for external air) and to the product's outside air connector.

Fig. 2A, through an outside wall

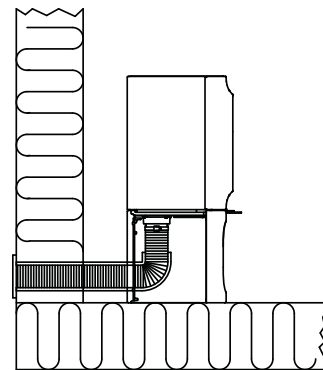


Fig. 2B, through the floor and ground plate

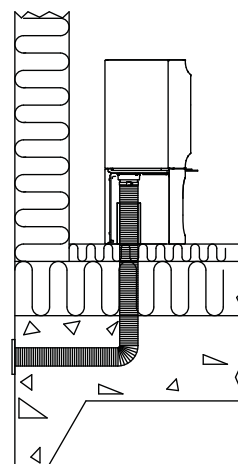


Fig. 2C, through the floor and basement

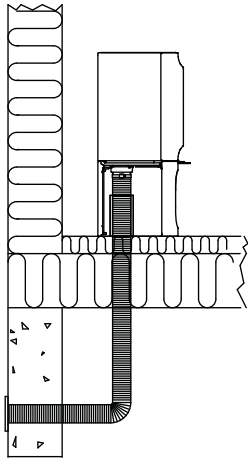
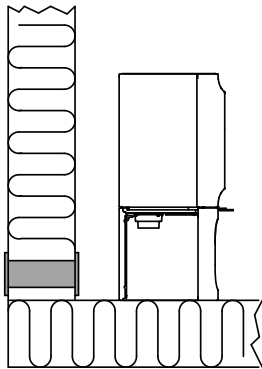


Fig. 2D, indirectly through an outside wall



4.0 Installation

NB: Check that the fireplace is undamaged before installation begins.

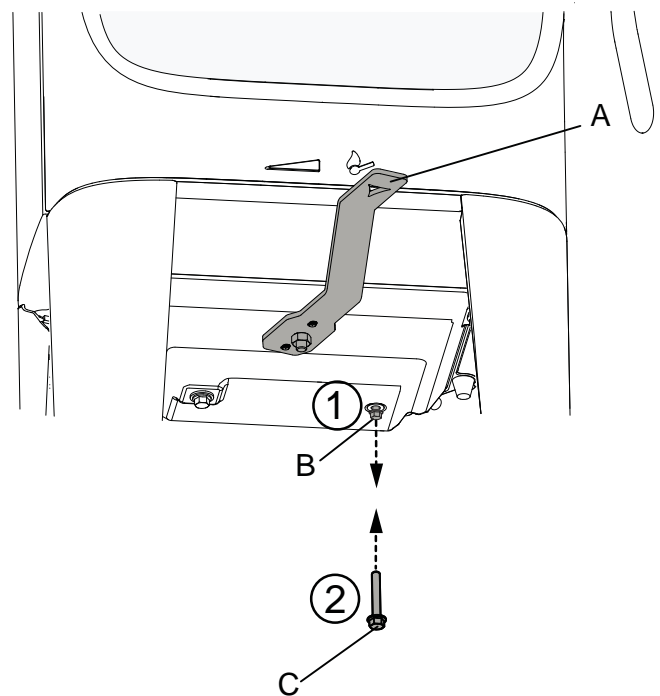
NB: The product is heavy! Ensure you have help when positioning and installing it. Make sure the product does not topple over.

NB: Do not place anything on the top plate of the stove as this could cause permanent damage to the paint.

NB: Read the Installation and Operating instructions carefully before installing the fireplace!

Requirement for UK

Fig. 3

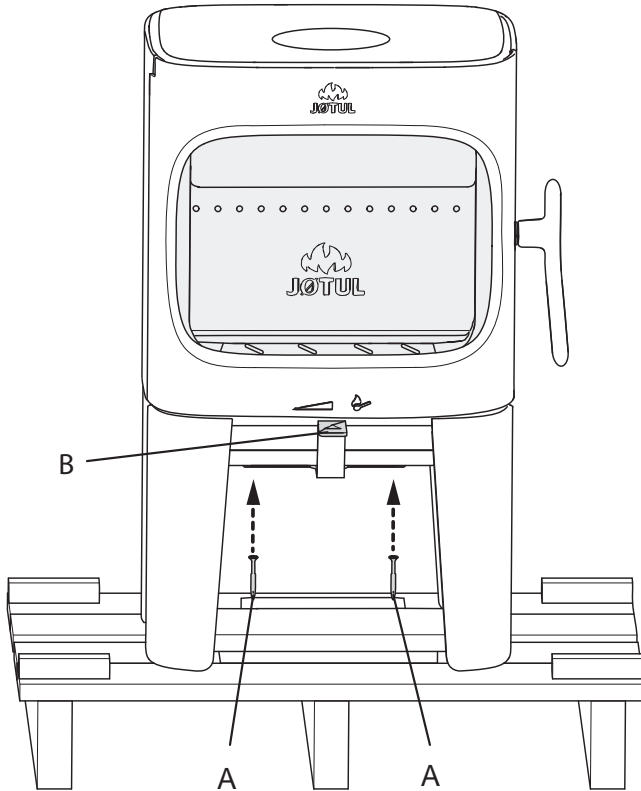


1. Push the air vent (A) to the right.
2. Unscrew the screw (B).
3. Fasten the 40 mm screw (C) from the bag of screws.

ENGLISH

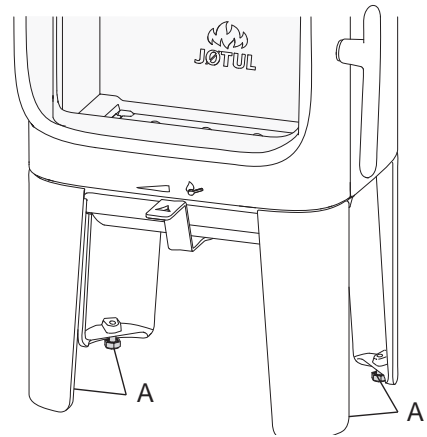
4.1 Prior to installation - Jøtul F 105 with long legs

Fig. 4



4. Remove the two transport screws (**A**) that fasten the stove to the wooden pallet.
5. Leave the stove standing on the transport pallet.
6. Take out the glove, bag of screws, external air connector and adapter lying in the burn chamber.
7. Check that the control lever (**B**) moves easily.

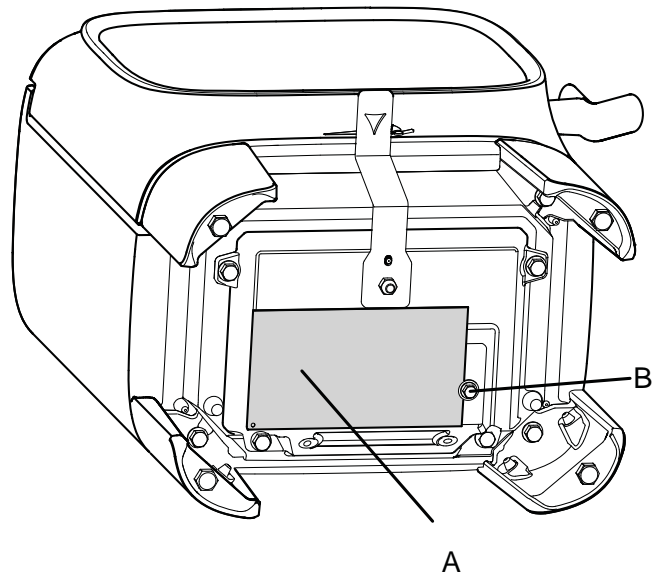
Fig. 5



8. Install the height adjustment screws with plastic caps placed in the bag of screws.
9. Lift the stove from the pallet.
10. Set up the stove and adjust using a cap wrench to a horizontal position with the 4 height adjustment screws. Mark on the wall if there has to be a rear outlet for flue pipe and external air supply. **NB: Take into account the height of the floor plate.**

Approval label

Fig. 6



1. Take the approval label (**A**) out of the burn chamber and fasten it with the screw (**B**), as displayed. Tighten the screw with a cap wrench. **NB: Do not cut off the wire used for fastening the label.**

4.2 Preparations for Jøtul F 105 with short legs

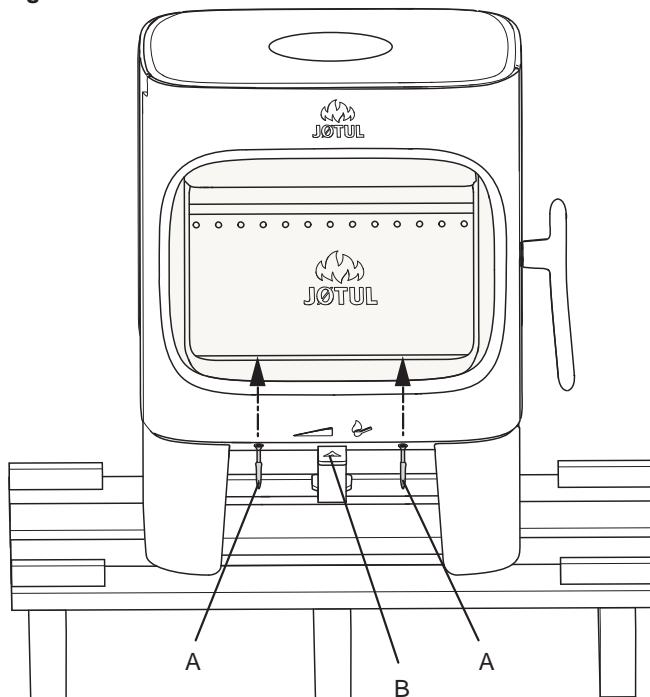
Jøtul F 105 SL (with short legs) can only be installed on floors whose surface and structure are both made of non-flammable materials. This applies also if the product rests on a floor plate.

NB: The non-flammable area must extend to at least 500 mm in front of the stove.

NB: We advise against installing underfloor heating (whether water or electric) in this area.

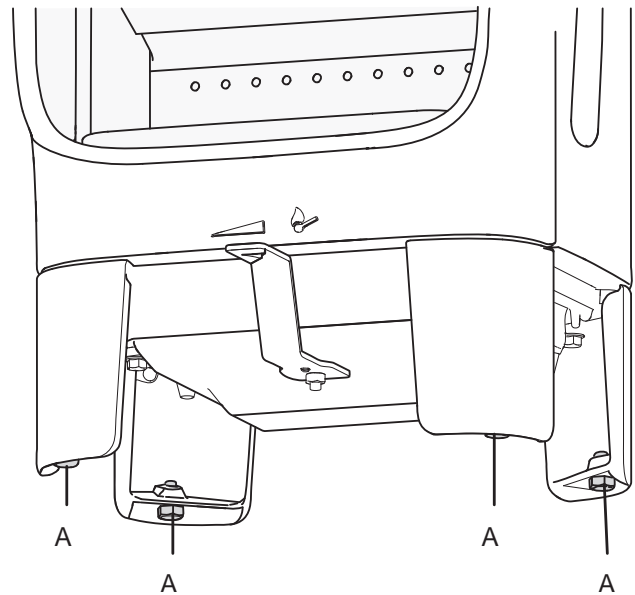
For further information please see Approved Document J2010 Section 2.22.

Fig. 7



1. Remove the two transport screws (**A**) that fasten the stove to the wooden pallet.
2. Leave the stove standing on the transport pallet.
3. Take out the gloves, baffle, bag of screws, external air connector and adapter lying in the burn chamber.
4. Check that the control lever (**B**) moves easily.

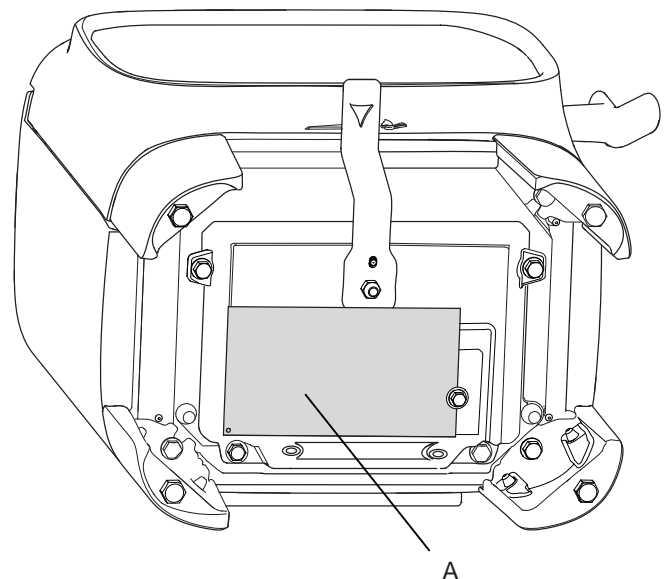
Fig. 8



5. Install the height adjustment screws with plastic caps placed in the bag of screws.
6. Lift the stove from the pallet.
7. Set up the stove and adjust using a cap wrench to a horizontal position with the 4 height adjustment screws. Mark on the wall if there has to be a rear outlet for flue pipe and external air supply. **NB: Take into account the height of the floor plate.**

Approval label

Fig. 9

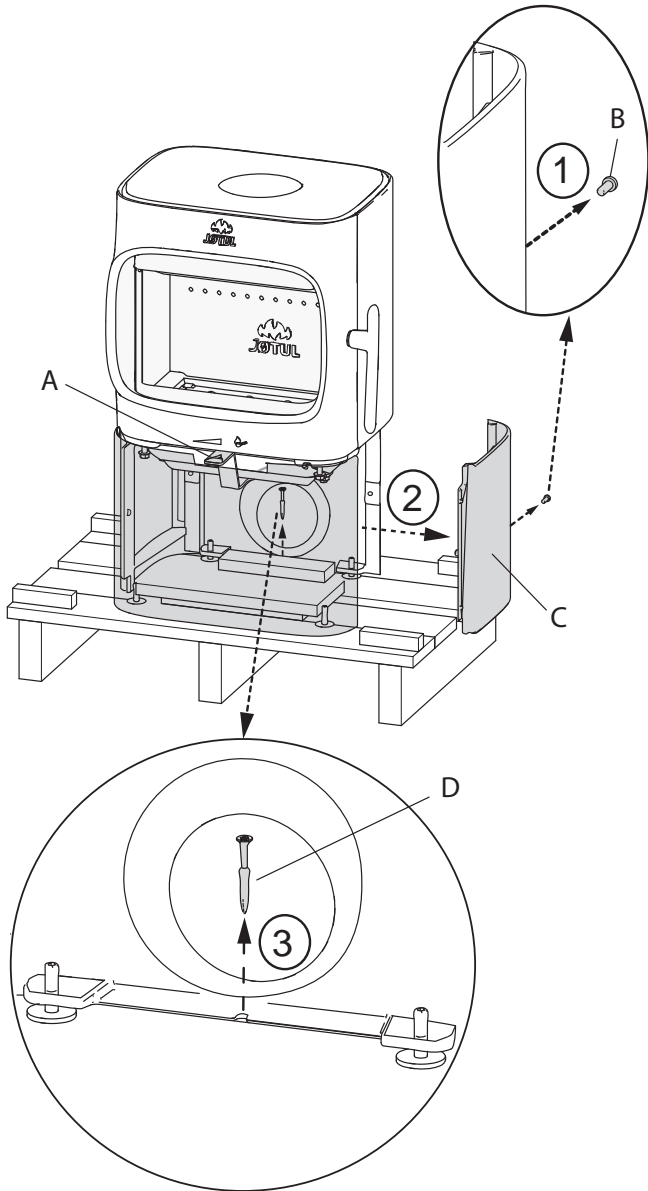


8. Take the approval label (**A**) out of the burn chamber and fasten it with the screw (**B**), as displayed. Tighten the screw with a cap wrench. **NB: Do not cut off the wire used for fastening the label.**

ENGLISH

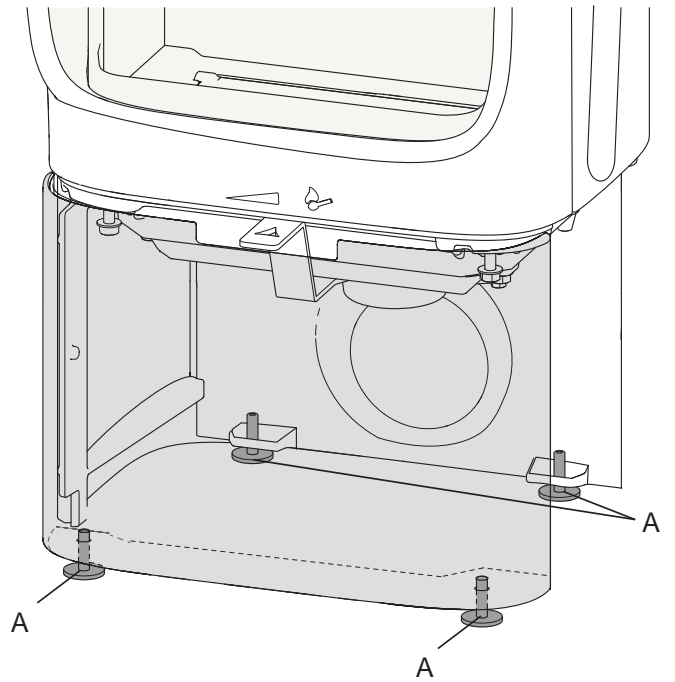
4.3 Preparations for Jøtul F 105 with base

Fig. 10



9. Take out the gloves, baffle, bag of screws, external air connector and adapter lying in the burn chamber.
10. 1. Unscrew the screw placed in the middle of the rear side of the side plate.
2. Remove the side plate (C).
3. Remove the transport screw (D) that fastens the stove to the wooden pallet.
11. Check that the control lever (A) moves easily.
12. Lift the stove from the pallet and set it up (see fig. 1).

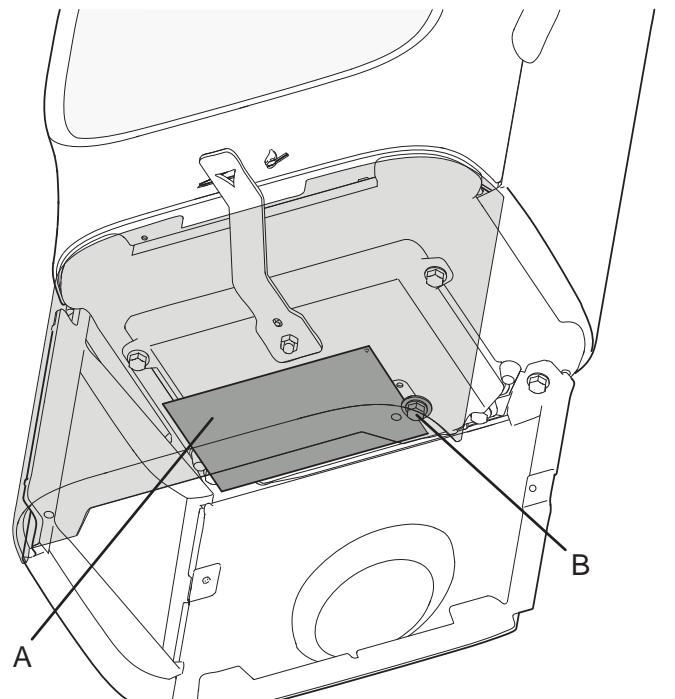
Fig. 11



13. Install the height adjustment screws with plastic caps placed in the bag of screws.
14. Lift the stove from the pallet.
15. Set up the stove and adjust to a horizontal position with the 4 height adjustment screws. Use the hex key placed in the bag of screws. Mark on the wall if there has to be a rear outlet for flue pipe and external air supply. **NB: Take into account the height of the floor plate.**

Approval label

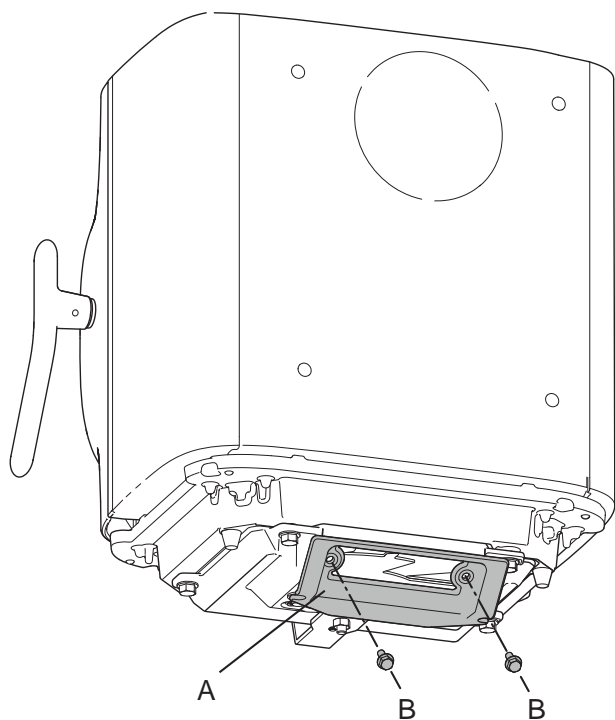
Fig. 12



16. Take the approval label (A) out of the burn chamber and fasten it with the screw (B), as displayed. Tighten the screw with a cap wrench. **NB: Do not cut off the wire used for fastening the label.**

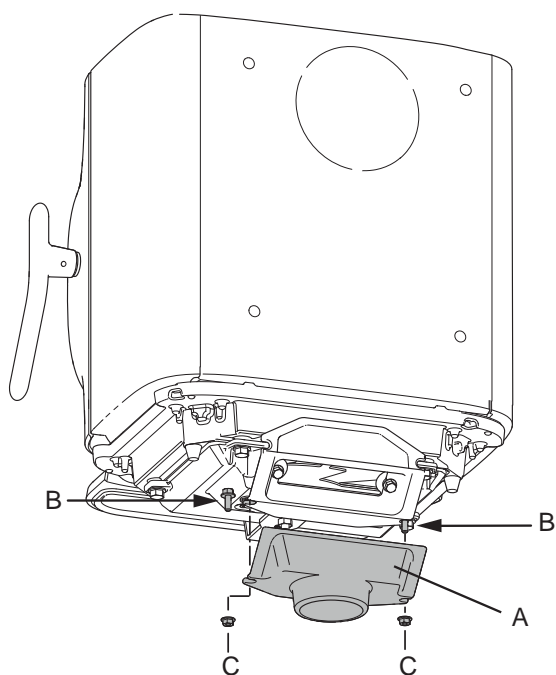
External air supply through the floor

Fig. 13



1. Fasten the adapter (A) to the bottom side of the burn chamber using the accompanying screws (B) (pre-mounted on Jøtul F 105 B).

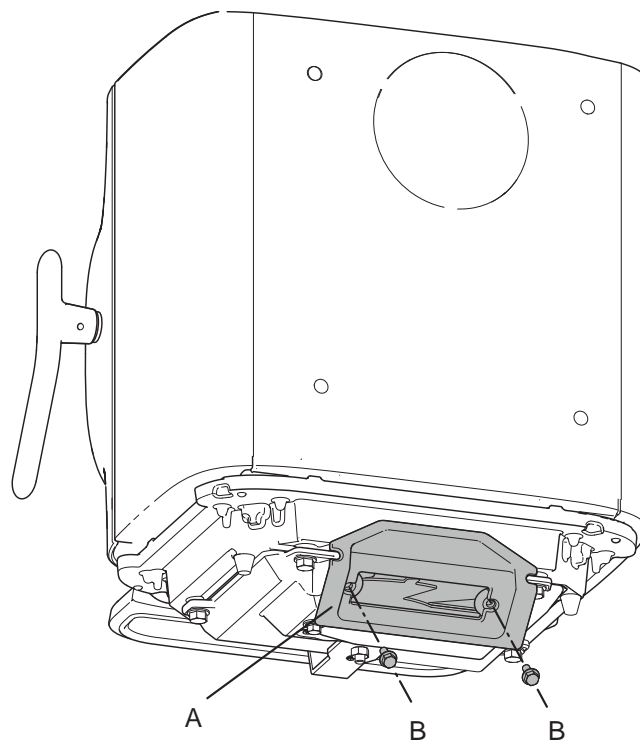
Fig. 14



2. Fasten the external air connector (A) to the adapter by inserting the two screws (B) into the track and tightening with the nuts (C).

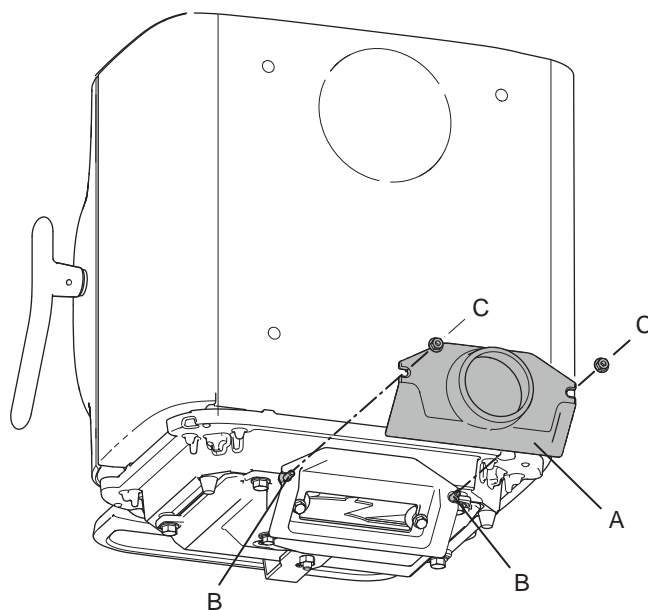
External air supply through a rear outlet

Fig. 15



1. Fasten the adapter (A) to the burn chamber using the two accompanying screws (B) (pre-mounted on Jøtul F 105 B).

Fig. 16



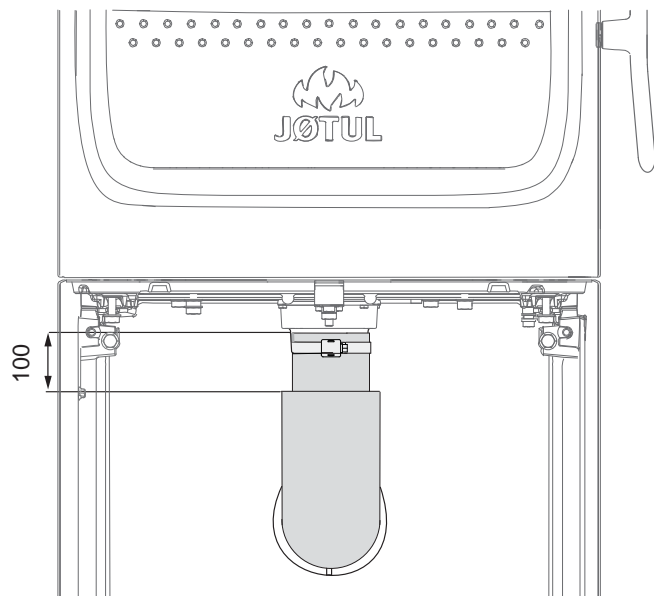
2. Fasten the external air connector (A) to the adapter by inserting the two screws (B) into the track and tightening with the nuts (C).

ENGLISH

Outside air connection through the base

Through a rear outlet

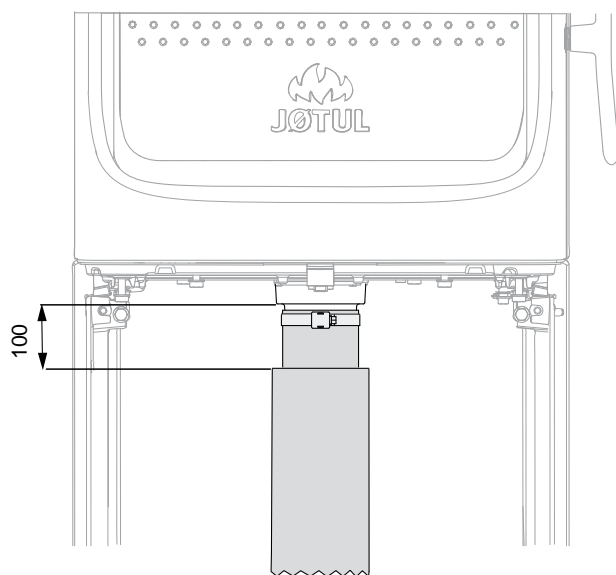
Fig. 17



3. For fastening $\varnothing 80$ fresh air intake tube (optional equipment – item no. 51047509), see the manual (item no. 10047508) accompanying the external air set. See the installation instructions that follow with the external air set. Attach the hose to the external air connector with a hose clip to avoid using joints. The external air hose insulation ends approx. **100 mm** below the burn chamber.

Through the floor

Fig. 18



4. For fastening $\varnothing 80$ fresh air intake tube (optional equipment – item no. 51047509), see the manual (item no. 10047508) accompanying the external air set. See the installation instructions that follow with the external air set. Attach the hose to the external air connector with a hose clip to avoid using joints. The external air hose insulation ends approx. **100 mm** below the burn chamber.

4.4 Chimney and flue pipe

- The fireplace must only be connected to a chimney and flue pipe approved for solid fuel fireplaces with flue gas temperatures as specified in «**2.0 Technical Data**».
- The cross-section of the chimney must be designed to fit the fireplace. Use «**2.0 Technical Data**» to calculate the correct chimney cross-section.
- The chimney must be connected in accordance with the installation instructions of the chimney supplier.
- Before a hole is made in the chimney, the product should be test-mounted in order to correctly mark the position of the fireplace and the hole in the chimney. See **fig. 1** for minimum dimensions.
- Make sure that the flue pipe rises all the way up to the chimney.
- With a rear outlet, use a flue pipe bend with a sweep hatch to allow sweeping.
- Please note that it is extremely important for connections to have a degree of flexibility. This is to prevent any movement in the installation leading to the formation of cracks.
- For recommended chimney draught, see «**2.0 Technical Data**». For flue pipe dimension see “**2.0 Technical Data**”.
NB: The chimney’s diameter must be at least just as big as the flue pipe.

NB! The minimum recommended chimney length is 3.5 m from the flue pipe insert. If the draught is too strong, a flue pipe damper can be installed and used to reduce the draught.

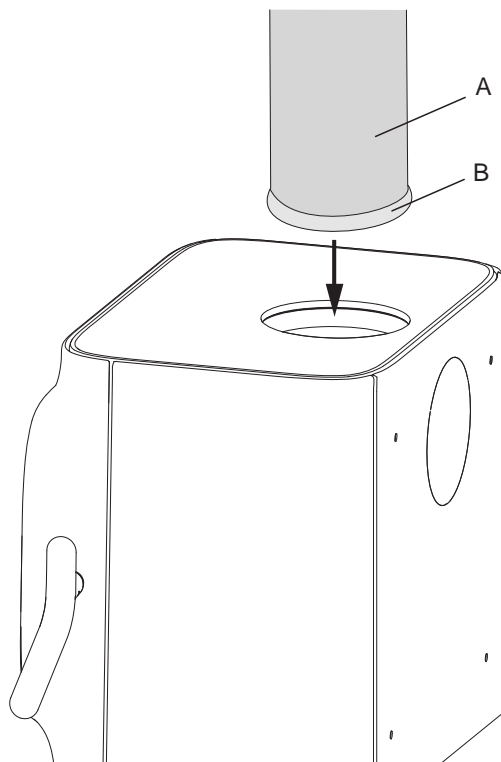
Operation under different weather conditions

The effect of the wind on the chimney may have a significant impact on how the stove reacts under different gust loads. It may be necessary to adjust the air supply to achieve good combustion.

4.5 Fitting a flue pipe with a top outlet

The product is supplied from the factory with the smoke outlet fitted for the top outlet.

Fig. 19

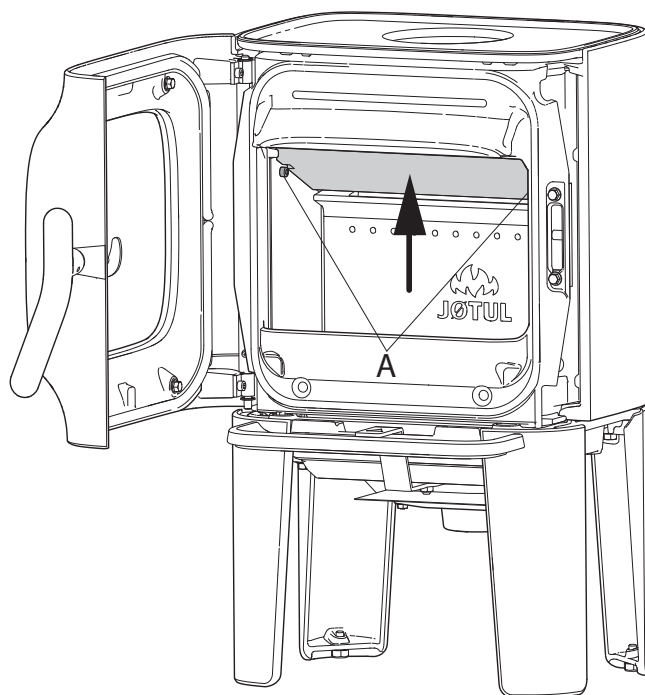


1. Thread the flue pipe (A) through the top plate and place it in the top smoke outlet.
2. Seal well with a gasket (B).

4.6 Fitting a flue pipe with a rear outlet

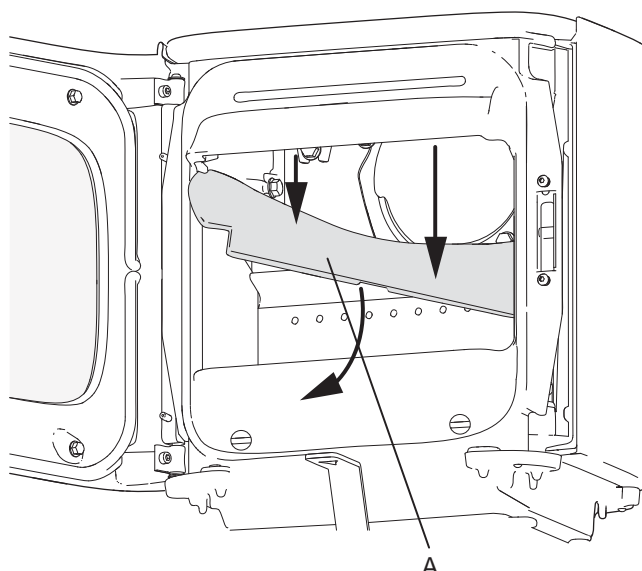
The product is supplied from the factory with the smoke outlet fitted for the top outlet. If you want a rear outlet, proceed as follows:

Fig. 20



1. Remove the baffle by lifting at the rear edge, and remove the two screws. Then twist it out of the burn chamber.

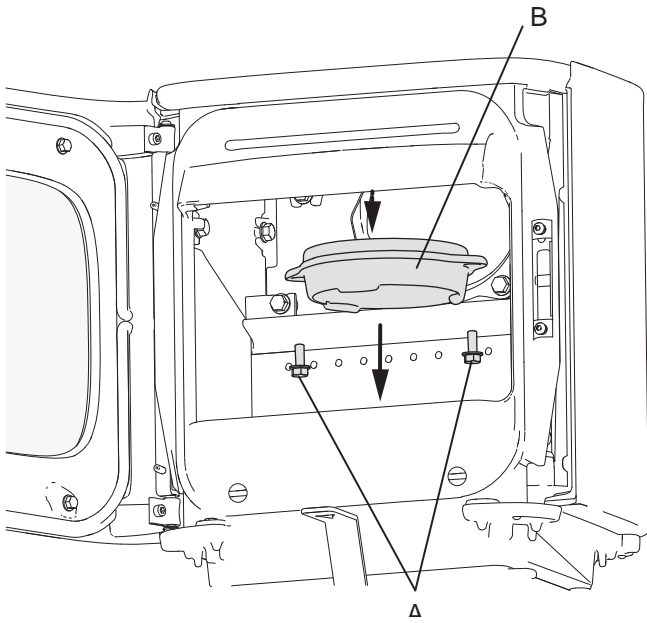
Fig. 21



1. Place the product in a correct position. See fig. 1
2. Remove the exhaust deflector (A).

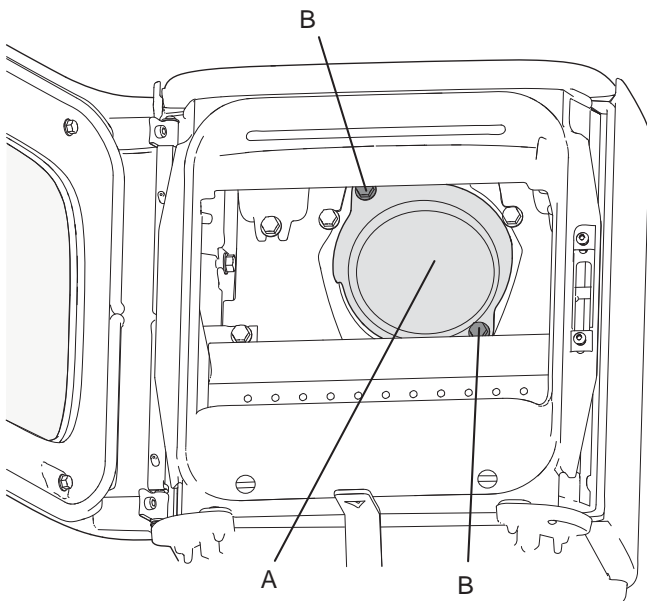
ENGLISH

Fig. 22



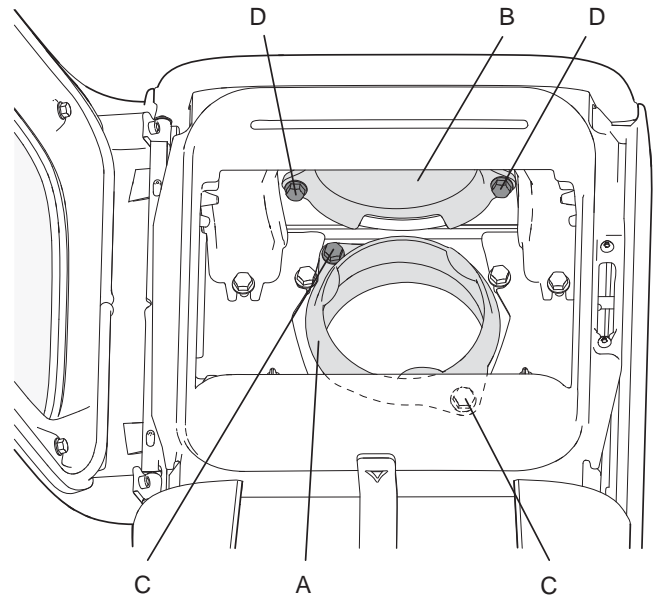
3. Unscrew the screws **(A)** and remove the smoke outlet **(B)** from the top outlet.

Fig. 23



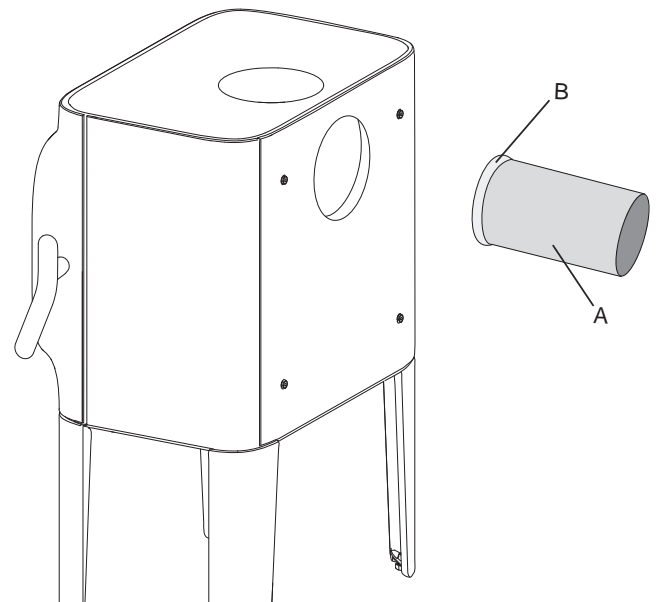
1. Unscrew the screws **(B)** and remove the cover **(A)** of the rear outlet from the inside of the burn chamber.

Fig. 24



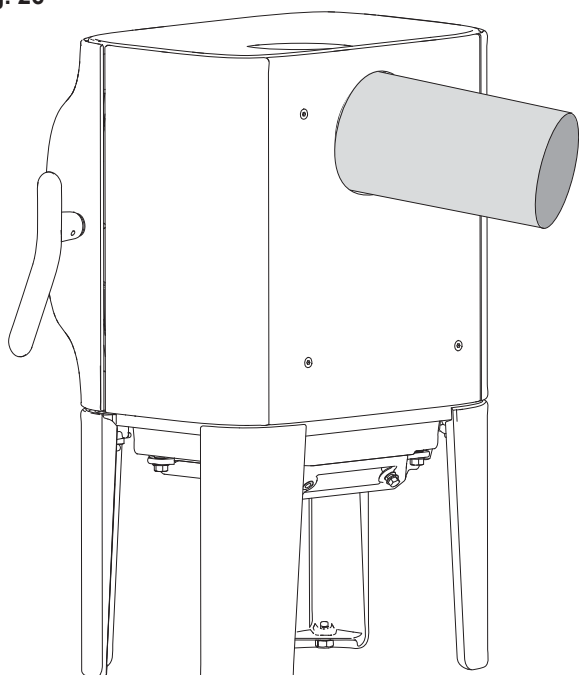
2. Fasten the smoke outlet **(A)** to the rear outlet using the two screws **(C)** from the inside of the burn chamber.
3. Fasten the cover **(B)** to the top outlet with the two screws **(D)** from the inside of the burn chamber.
4. Reinstall the exhaust deflector.
5. Place the baffle.

Fig. 25



6. Place the gasket **(B)** on the edge of the flue pipe **(A)**.

Fig. 26



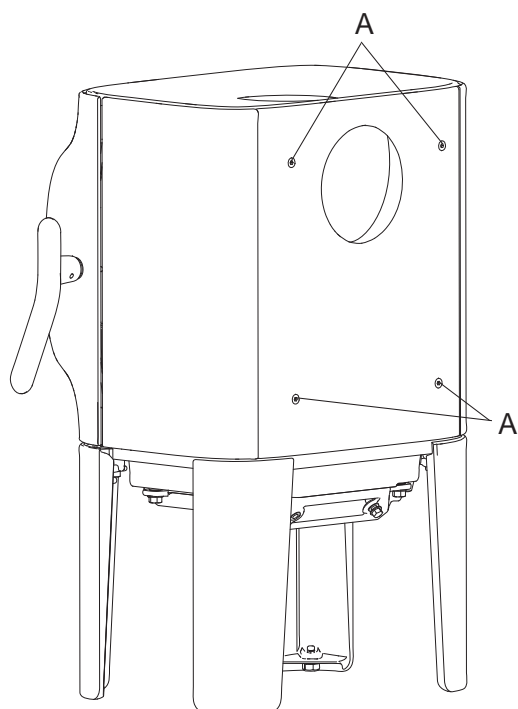
7. Insert the flue pipe into the rear outlet.

NB: It is important for the joints/flue pipes to be sealed completely. Air leaks may prevent them from operating properly.

Product without convection plate

NB: If you will not use a convection plate, the product will have different setup conditions (see fig. 1).

Fig. 27

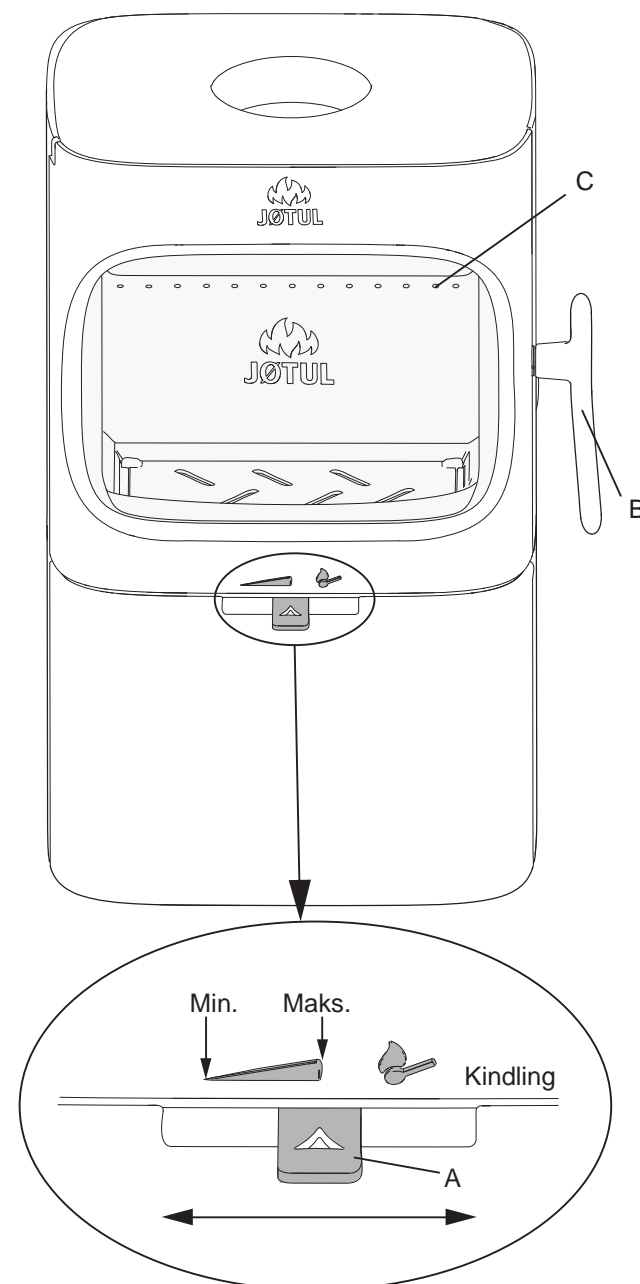


- If the convection plate is not going to be used, screw the screws (A) back again after removing the convection plate. Use the Allen key from the bag of screws.

4.7 Performance check

Always check the control handles once the product has been assembled. These should move easily and work in a satisfactory manner.

Fig. 28



The Jøtul F 105 R is equipped with the following operating options:

Air vent (A)
 Pushed to the left: Minimum
 Pushed to the middle: Maximum
 Pushed all the way to the right: For kindling

Door handle (B)
 Open by pulling the handle out.

Stacking height (C) for wood (the holes may not be covered).

ENGLISH

5.0 Daily use

Odours when using the fireplace for the first time

When the fireplace is used for the first time, it may emit an irritating gas which may smell slightly. This happens because the paint dries. The gas is not toxic but the room should be thoroughly ventilated. Let the fire burn with a high draught until all traces of the gas have disappeared and no smoke or odours can be detected.

Heating advice

NB: Logs that have been stored outdoors or in a cold room should be brought indoors 24 hours before use to bring them up to room temperature.

There are various ways of heating the stove but it is always important to be careful about what you put in the stove. See the section on “**Wood quality**”.

Important! An inadequate air supply can lead to poor combustion, high emissions and a lower level of efficiency.

Wood quality

By quality wood we mean most well-known types of wood such as birch, spruce and pine.

The logs should be dried so that the moisture content is no more than 20%.

To achieve this, the logs should be cut during the late winter. They should be split and stacked in a way that ensures good ventilation. The wood stacks should be covered to protect the logs from rain. The logs should be brought indoors during early autumn and stacked/stored for use in the coming winter.

Be especially careful never to use the following materials as fuel in your fireplace:

- Household rubbish, plastic bags, etc.
- Painted or impregnated timber (which is extremely toxic).
- Laminated wooden planks.
- Driftwood

These may harm the product and are also pollutants.

NB: Never use petrol, paraffin, methylated spirit or similar liquids to light the fire. You may cause serious injury to yourself and damage to the product.

Kindling (finely split wood):

Length: Max. 33 cm
Diameter: 2-4 cm
Quantity required each time: 6 - 8 pieces

Wood (split wood):

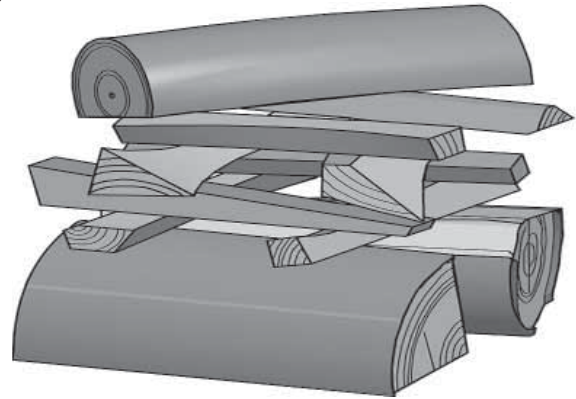
Recommended length: 20 - 33 cm
Diameter: Approx. 8 cm
Interval for adding wood: Approx. every 45 - 50 minutes
Fire size: 1,1 kg (nominal output)
Quantity required each time: 2
Max. each time: 2,0 kg

Nominal heat output is achieved when the air vent is open approx. 30% (**fig. 28**). Max. heat output is achieved when the air vent is open approx. 50%.

Initial lighting

- Open the air vent and ignition vent by pulling the handles (**fig. 28**) all the way out. (Use a glove or something similar to protect your hand in case the handles are hot.).

Fig. 28



- Place two logs at the bottom of the burn chamber and pile the kindling in layers.
- Finally, place a medium-sized log on the top of the pile.
- Place 2 or 3 briquettes or kindling sticks under the top layer of kindling and light the fire. **NB: The maximum height of the pile of the wood should be just below the horizontal holes. The holes must not be covered.**
- Close the door.
- You can then regulate the rate of combustion to give the heat you want by adjusting the air vent (**fig. 28**).
- Check that the afterburning (secondary combustion) starts. This is best indicated by yellow, flickering flames in front of the holes under the baffle.
- If the air flow is normal you will be able to shut the door and the fire will take care of itself.

Adding firewood

Stoke the stove frequently but only add small amounts of fuel at a time. If the stove is filled too full, the heat created may cause extreme stress in the chimney. Add fuel to the fire in moderation. Avoid smouldering fires as this produces the most pollution. The fire is best when it is burning well and the smoke from the chimney is almost invisible.

5.1 Danger of overheating

The fireplace must never be used in a manner that causes overheating

Overheating occurs when there is too much fuel and/or too much air so that too much heat develops. A sure sign of overheating is when parts of the fireplace glow red. If this happens, reduce the air vent opening immediately.

Seek professional advice if you suspect that the chimney is not drawing properly (too much/too little draught). For further information, see «4.0 Installation» (Chimney and flue pipe).

5.2 Ash removal

- The Jøtul F 105 R has an ash pan that makes it easy to remove the ash.
- Only remove ash when the fireplace is cold.
- Scrape the ash through the grate in the inner bottom and down into the ash pan. Use a glove or something similar to protect your hand. Take hold of the handle of the ash pan and lift out the ash. Make sure that the ash pan never gets so full that it prevents the ash from falling through the grate and down into the pan.
- Make sure that the ash pan is pushed all the way in before closing the door.

6.0 Maintenance

6.1 Cleaning the glass

The product is equipped with an air wash for the glass. Air is sucked in through the air vent on the top of the product and down along the inside of the glass.

However, some soot will always stick to the glass, but the quantity will depend on the local draught conditions and adjustment of the air vent. Most of the soot layer will normally be burned off when the air vent is opened all the way and a fire is burning briskly in the fireplace.

Good advice! For normal cleaning, moisten a paper towel with warm water and add some ash from the burn chamber. Rub it over the glass and then clean the glass with clean water. Dry well. If it is necessary to clean the glass more thoroughly we recommend using a glass cleaner (*follow the instructions on the bottle*).

6.2 Cleaning and soot removal

Soot deposits may build up on the internal surfaces of the fireplace during use. Soot is a good insulator and will therefore reduce the fireplace's heat output. If soot deposits accumulate when using the product, they can easily be removed by using a soot remover.

In order to prevent a water and tar layer from forming in the fireplace, you should regularly allow the fire to burn hot in order to remove the layer. An annual internal cleaning is necessary to get the best heating effect from your product. It is a good idea to do this when cleaning the chimney and flue pipes.

6.3 Sweeping flue pipes to the chimney

Flue pipes must be swept through the flue pipe sweeping hatch or through the door opening. The baffle and exhaust deflector must be removed first.

6.4 Inspection of the fireplace

Jøtul recommends that you carefully inspect your fireplace yourself after it has been swept/cleaned. Check all visible surfaces for cracks. Also check that all joints are sealed and that the gaskets are in the correct position. Any gaskets showing signs of wear or deformation must be replaced.

Thoroughly clean the gasket grooves, apply ceramic glue (available from your local Jøtul dealer) and press the gasket well into place. The joint will dry quickly.

6.5 Exterior maintenance

Painted products may change colour after several years' usage. The surface should be cleaned and brushed free of any loose particles before new paint is applied.

Enamelled products must only be cleaned with a clean, dry cloth. Do not use water and soap. Any stains can be removed with a cleaning fluid (*oven cleaner etc.*).

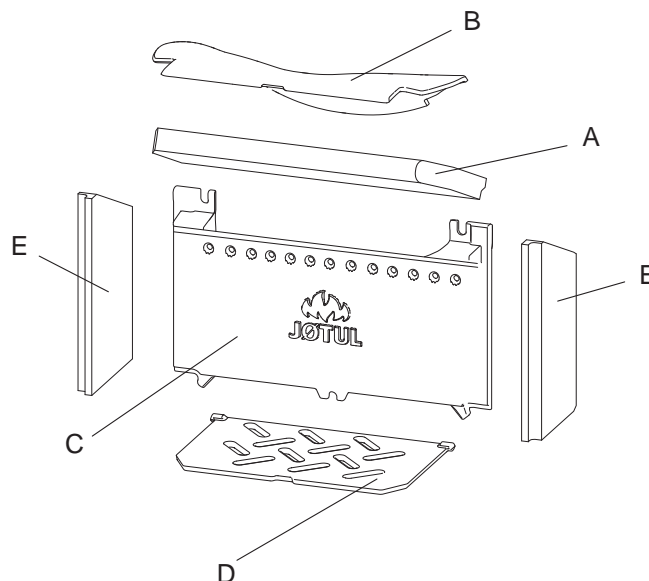
7.0 Servicing

Warning! Any unauthorised changes to the product are illegal! Only original spare parts may be used!

7.1 Service/replacing parts in the burn chamber

NB: Use tools with great care! The vermiculite plates may be damaged if treated roughly.

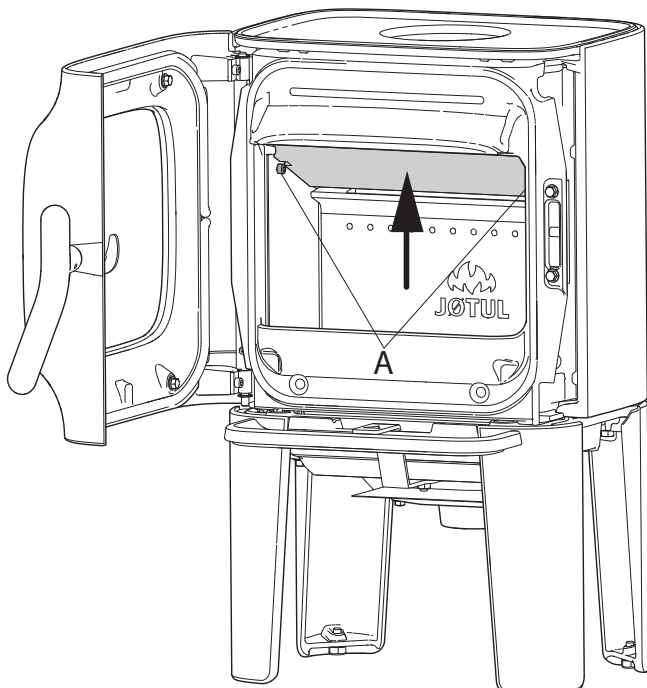
Fig. 29



1. **Baffle:** Remove the baffle by lifting at the rear edge, and remove the two screws. Then twist it out of the burn chamber.
2. **Exhaust deflector:** Lift the front edge of the exhaust deflector (B) up and down and twist it out of the burn chamber.
3. Lift up the **ash grate (D)** in the middle slot in front and then lift the ash pan out of the burn chamber
4. Remove the three screws holding the burn plate. Lift up one of the sides of the burn plate and twist it out of the burn chamber.

ENGLISH

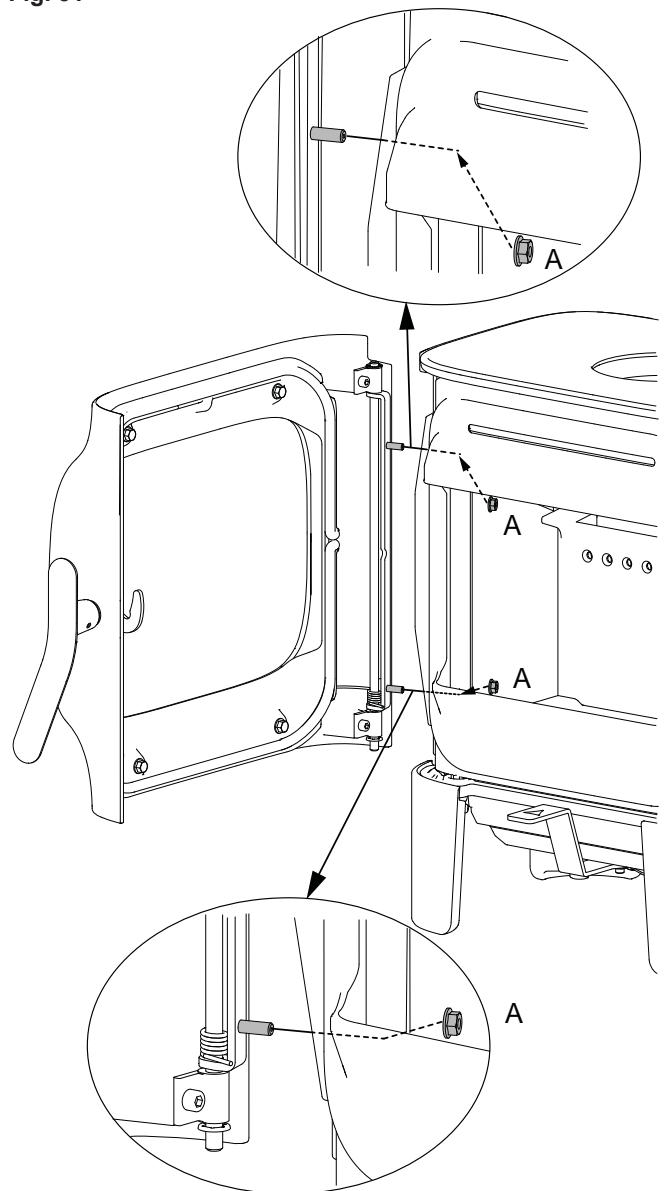
Fig. 30



1. Remove the baffle by lifting at the rear edge, and remove the two screws. Then twist it out of the burn chamber.

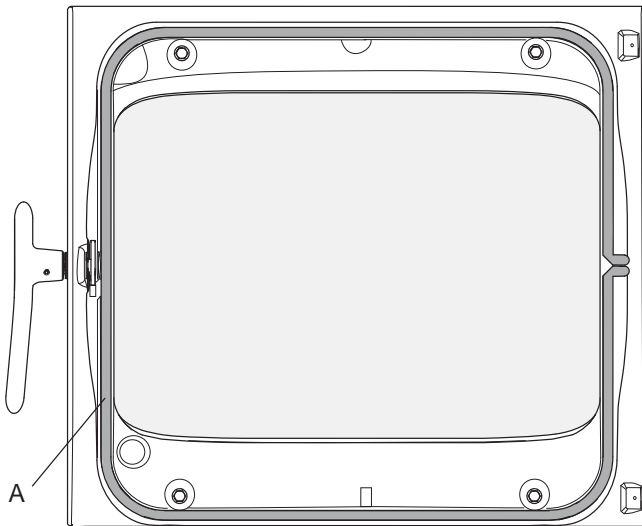
7.2 Replacing glass and gaskets in the door

Fig. 31



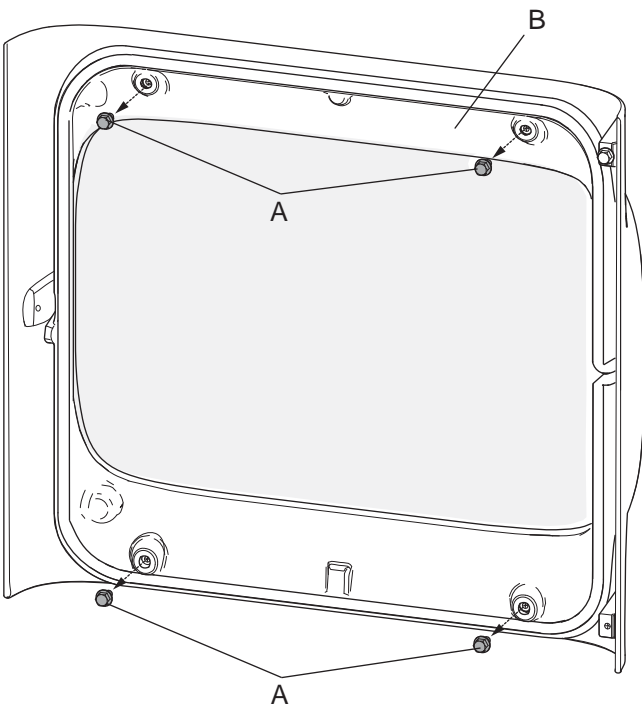
1. Unscrew the nuts (**A**) and unhook the door. Lay it carefully down onto the cardboard box.

Fig. 32



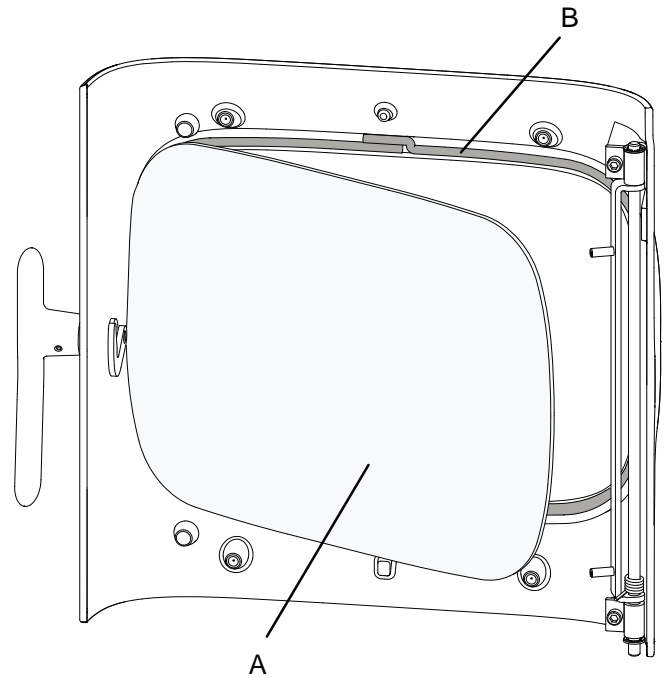
1. Remove the gasket (A) placed on the inside of the door, clean the gasket groove and glue on a new gasket.

Fig. 33



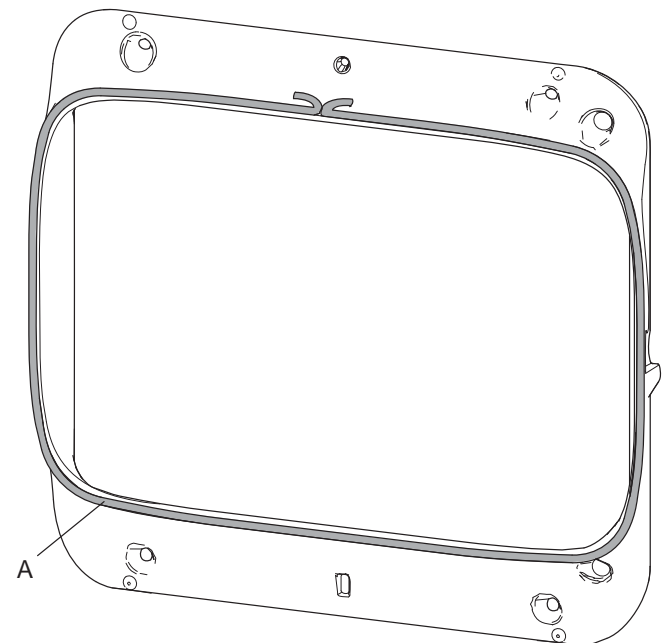
2. Unscrew the glass holder (B) that is attached with 4 screws (A). **NB: The glass in the door is loose. Be careful not to knock the glass when the glass holder is loosened.**

Fig. 34



3. Remove the glass (A) carefully. Remove the gaskets (B), and clean the gasket grooves.
4. Glue on new gaskets.

Fig. 35



5. Remove the old gasket (A) and clean the grooves. Glue on a new gasket.
6. Install back all parts once all damaged gaskets have been replaced.

ENGLISH

8.0 Optional extras

8.1 Kit for outside air connection

Outside air connection, Ø80 mm - Cat. no. 51047509

8.2 Soapstone top

Cat. no. 51049066

8.3 Ash lip for product with legs

BP - Cat. no. 51049065

WHE - Cat. no. 51049516

8.5 Ash pan handle

BP - Art. nr. 51049070

9.0 Recycling

9.1 Recycling packaging

Your fireplace is delivered with the following packaging:

- A wooden pallet that can be cut up and burned in the fireplace.
- Cardboard packaging that should be taken to a local recycling facility.
- Plastic bags that should be taken to a local recycling facility.

9.2 Recycling the fireplace

The fireplace is made of:

- Metal that should be taken to a local recycling facility.
- Glass that should be disposed of as hazardous waste. The glass in the fireplace must not be placed in a regular source segregation container.
- Vermiculite burn plates that can be disposed of in regular waste containers.

10.0 Guarantee terms

Jøtul is a renowned manufacturer of high quality stoves and fireplaces with long service life, which has been on the market since 1853. We are so sure of our quality that we offer our customers an extended guarantee at no extra charge. Congratulations on your new fireplace from Jøtul!

1. Our guarantee covers:

Jøtul AS guarantees that the external cast-iron parts are free from defects in materials or manufacturing at the time of purchase. You may extend the guarantee on the external cast-iron parts to 25 years from the date of delivery by registering the product on jotul.com, and print out the extended guarantee card within three months of purchase. We recommend that the guarantee card be kept together with the receipt. Jøtul AS also guarantees that steel plate parts are free from defects in materials or manufacturing at the time of purchase for a period of 5 years from the date of delivery.

The guarantee applies on the condition that the stove has been installed by a qualified installer in accordance with applicable laws and regulations and Jøtul's installation and operating instructions. Repaired products and replacement items are guaranteed within the original guarantee period.

2. The guarantee does not cover:

- 2.1. Damage to consumables such as burn plates, fire grates, flue baffles, gaskets and similar as these deteriorate over time due to normal wear and tear.
- 2.2. Damage caused as a result of improper maintenance, overheating, use of unsuitable fuel (e.g. of unsuitable fuel are, but not limited to driftwood, impregnated wood, plank offcuts, chipboard) or too moist / wet wood.
- 2.3. Installation of optional extras for the purpose of rectifying local draught conditions, air supply or other circumstances beyond Jøtul's control.
- 2.4. Cases involving alterations / modifications to the fireplace without Jøtul's consent or the use of non-original parts.
- 2.5. Damage caused during storage at a distributor, transport from a distributor or during installation.
- 2.6. Products sold by unauthorized sellers in areas where Jøtul operates a selective distribution system.
- 2.7. Associated cost (e.g. but not limited to, transport, manpower, travel) or indirect damages

Pellets stoves, glass, stone, concrete, enamel and paint finish (e.g. but not limited to chipping, cracking, bubbling or discolouration and crazing) are applicable to the national legislation governing the sale of consumer goods. This guarantee is valid for purchases made within the territory of the European Economic Area. All guarantee inquiries must be addressed to your local authorized Jøtul dealer within a reasonable amount of time, which shall not be later than 14 days from the date on which the fault or defect first became apparent. See list of importers and dealers on our web site www.jotul.com.

If Jøtul is unable to meet the obligations outlined in the above guarantee terms, Jøtul will offer a replacement product with a similar heating capacity free of charge.

Jøtul reserve the right to decline of any replacement of parts or service in the event that the guarantee is not registered online. This guarantee does not affect any rights under applicable national legislation governing the sale of consumer goods. The national complaint right applies from the purchase date and only in exchange for a receipt / serial number

Sommaire

1.0	Données techniques	27
2.0	Relations avec les autorités	27
3.0	Sécurité	28
4.0	Installation	36
5.0	Utilisation au quotidien	44
6.0	Maintenance	45
7.0	Entretien	46
8.0	Équipements disponibles en option	48
9.0	Recyclage	48
10.0	Garantie	49

Enregistrez votre insert sur jotul.com pour la garantie de 25 ans.

Product: Jøtul Room heater fired by solid fuel				CE	
Standard	Minimum distance to adjacent combustible materials:				
Emission of CO in combustion products	Flue gas temperature	Nominal heat output	Efficiency	Operational range	Fuel type
Operational type	The appliance can be used in a shared flue.				
Country	Classification	Certification standard	Approved by		
Norway	Klasse II				
Sweden	ret.	SP	SP Sveriges Provning- och Forskningsinstitut AS		
EUR	Intermittent	EN	SP Swedish National Testing and Research Institute		
Follow user's instructions. Use only recommended fuels. Montage- und Bedienungsanleitung beachten. Verwenden Sie nur empfohlenen Brennstoffen. Respectez les consignes d'utilisation. Utilisez uniquement les combustibles recommandés.					
Lot no: Y-xxxx, Year: 200x					
Manufacturer: Jøtul AS POB 1 641 N-1652 Fredrikstad Norway		221546			

Tous nos produits sont livrés avec une étiquette reprenant le numéro de série et l'année. Reportez ce numéro à l'endroit indiqué dans les instructions d'installation.

N'oubliez pas de le mentionner à chaque fois que vous contactez votre revendeur ou Jøtul.

Lot no. Pin.

1.0 Relations avec les autorités

- L'installation d'un poêle est soumise aux lois et réglementations nationales en vigueur. Toutes les réglementations locales, y compris celles se rapportant aux normes nationales et européennes, doivent être respectées lors de l'installation du produit.
- L'installation ne pourra être mise en service qu'après contrôle par un inspecteur habilité suivant les réglementations du pays.
- Avant d'installer un nouveau poêle, adressez-vous aux autorités locales compétentes suivant les réglementations du pays.

2.0 Données techniques

Matériau :	Fonte
Finition :	Peinture / email
Sortie du conduit de raccordement :	Dessus, arrière
Conduit de raccordement :	Ø 125 mm section transversale
Raccordement prise d'air extérieur :	Ø 80 mm

Poids de l'appareil :

Chambre de combustion	
- avec pieds courts:	94 kg
- avec pieds longs :	97 kg
- avec socle :	107 kg
Dessus en pierre ollaire :	14,5 kg
Options	Cendrier, dessus en pierre ollaire, raccord d'air extérieur Ø 80 mm, Cendrier pour pieds (Jøtul F 105 LL et SL), poignée du cendrier.

Dimensions de l'appareil, distances : **Voir Fig. 1**

Données techniques conformes à la norme EN 13240

Puissance nominale :	4,5 kW
Débit massique des fumées :	4,2 g/s
Tirage de cheminée, EN 13240 :	12 Pa
Tirage recommandé :	14-16 Pa
Rendement :	83 % à 5,2 kW
Émissions de CO (13 % O ₂) :	0,09%
Émissions de CO (13 % O ₂) :	1101 mg/Nm ³
NOx à 13 % O ₂ :	99 mg Nm ³
COV à 13 % O ₂ :	76 mg/Nm ³
Consommation d'air:	3,4 litre / sec ou 12,2 m ³ h
Émissions de particules NS 3059 :	2,7 g / kg
Température de cheminée, EN 13240 :	231 °C
Température de sortie des fumées :	277 °C
Poussières :	<7 mg/Nm ³ à 13 % O ₂

Combustible : Bois exclusivement
 Longueur maximale des bûches : 33 cm
 Consommation horaire : 1,51 kg/h
 Quantité de bois d'allumage max. : 2,0 kg
 Quantité de bois d'allumage nominal : 1,1 kg
 Fonctionnement : Intermittent
 Par fonctionnement intermittent, on entend une utilisation normale du poêle dans laquelle on ajoute du bois lorsqu'il ne reste plus que des braises.

3.0 Sécurité

Remarque : Afin d'assurer un niveau de rendement et de sécurité optimal, l'installation d'un poêle Jøtul doit être confiée à un installateur qualifié (voir www.jotul.com pour la liste complète de nos revendeurs).

Toute modification de l'appareil par le distributeur, l'installateur ou l'utilisateur final, risque de compromettre le bon fonctionnement de l'appareil et de ses éléments de sécurité. Ceci s'applique également à l'installation d'accessoires ou d'équipements en option qui ne sont pas fournis par Jøtul. Ce risque peut par ailleurs survenir dans le cas où des pièces ou éléments essentiels pour le bon fonctionnement et la sécurité du poêle, ont été désassemblés ou retirés.

Dans tous ces cas, le fabricant ne pourra être tenu responsable pour le produit et le droit de recours à la garantie sera rendu nul et sans effet.

Remarque : Certaines parties du poêle, notamment les faces extérieures, deviennent chaudes au cours de l'utilisation. Il convient de faire preuve de prudence !

3.1 Mesures de prévention anti-incendie

Toute utilisation du poêle comporte un certain degré de risques. C'est pourquoi, il est indispensable de toujours respecter les consignes de sécurité suivantes :

- Les distances minimales à respecter en utilisant le poêle ressortent de la figure 1. La distance avec les matériaux inflammables spécifiée s'applique à ce poêle.
- Le poêle doit être installé avec un conduit de raccordement normalisé CE. La distance minimum entre les tuyaux et les matériaux combustibles doit aussi être respectée
- Assurez-vous que les meubles et autres matériaux inflammables ne sont pas trop rapprochés du poêle. Pas de matériaux inflammables dans un rayon de 900 mm du poêle.
- Laissez le feu s'éteindre de lui-même. Ne tentez jamais d'éteindre le feu avec de l'eau.
- Le poêle devient très chaud lorsqu'il est allumé et peut provoquer des brûlures à la personne qui le touche.
- Attendez que le poêle soit froid pour retirer les cendres. Les cendres pouvant encore contenir des braises, il convient de les recueillir dans un réceptacle ininflammable.
- Il convient d'épandre les cendres à l'extérieur ou de les vider dans un endroit ne présentant aucun risque d'incendie.

En cas de feu de cheminée:

- Fermer l'ensemble des trappes et des entrées d'air.
- Maintenir la porte de la chambre de combustion fermée.
- Vérifier toute présence de fumée dans le grenier et dans la cave.
- Contacter le service de sécurité incendie.
- Suite à un feu de cheminée, le poêle et la cheminée doivent être contrôlés par un spécialiste avant toute nouvelle utilisation afin de s'assurer que l'installation est opérationnelle.

Cheminée en acier

Si vous utilisez une cheminée en acier au-dessus du poêle, montez un tubage non isolé qui sera encastré d'environ 10 mm dans la grille supérieure. Assurez-vous que le joint est correctement en place entre le conduit de fumée et la sortie d'évacuation de fumée. Positionnez ensuite la cheminée métallique conformément aux instructions d'installation du fournisseur.

3.2 Le sol

Sol

Assurez-vous que le sol convient pour un poêle. Se reporter à la section « **2.0 Données techniques** » pour la spécification du poids.

Il est recommandé d'enlever les revêtements situés sous le poêle, si ceux-ci ne sont pas solidaires du sol (parquets flottants).

Jøtul recommande de retirer tout revêtement de sol combustible (linoléum, moquette, etc.) sur la surface couverte par la plaque de sol.

Jøtul F 105 SL (pieds courts)

Le poêle Jøtul F 105 SL avec pieds courts peut uniquement être installé sur des sols où aussi bien la surface que la construction en soi sont en matériaux non combustibles. Cela s'applique également si le produit repose sur une plaque de sol. La surface non combustible doit présenter un prolongement d'au moins 500 mm devant le poêle.

Remarque : Nous déconseillons d'installer le poêle sur un plancher chauffant (à eau ou électrique).

Exigences relatives à la protection des sols en bois

La fonction d'une plaque de sol est de protéger le sol et les matériaux inflammables contre d'éventuelles braises.

Le F 105 sur pieds doit être installé sur une plaque de sol dessous et devant suivant la réglementation nationale.

Note ! Rien ne doit être rangé sous le F 105, risque d'incendie.

Jøtul recommande de retirer tout revêtement de sol combustible (linoléum, moquette, etc.) sur la surface couverte par la plaque de sol.

Exigences relatives à la protection d'un revêtement de sol combustible devant le poêle

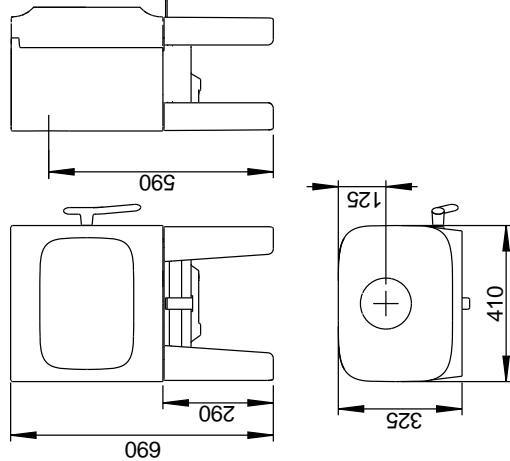
La plaque frontale doit être conforme aux lois et réglementations nationales en vigueur.

Veuillez contacter les autorités locales compétentes pour connaître les restrictions d'usage et les exigences liées à l'installation.

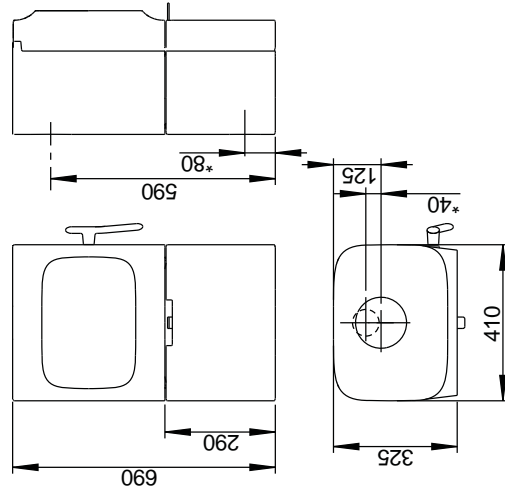
Jøtul F 105 R

Fig. 1 a

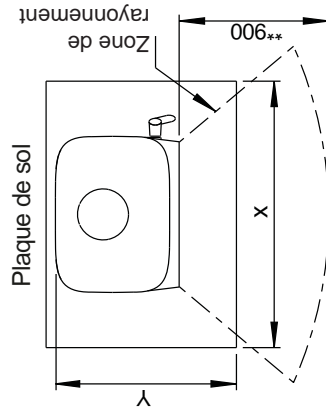
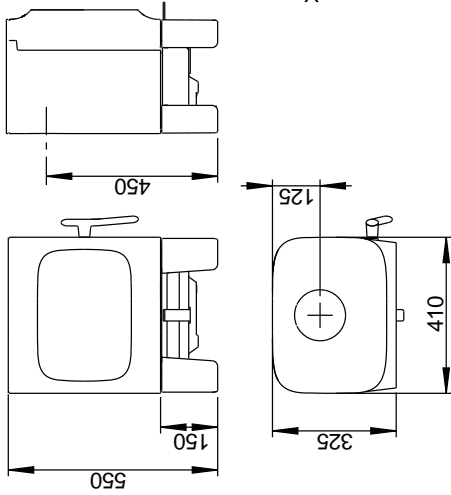
Jøtul F 105 R avec pieds longs



Jøtul F 105 R avec socle



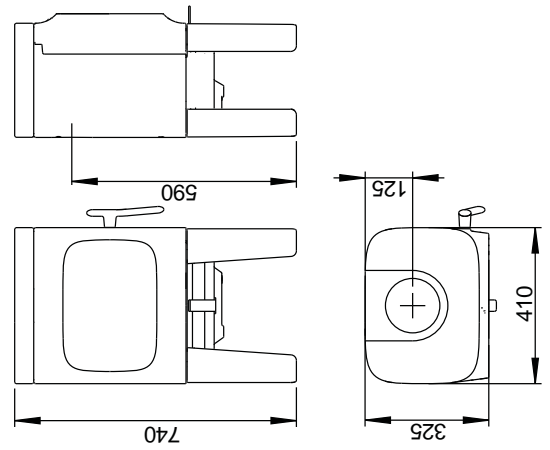
Jøtul F 105 R avec pieds courts



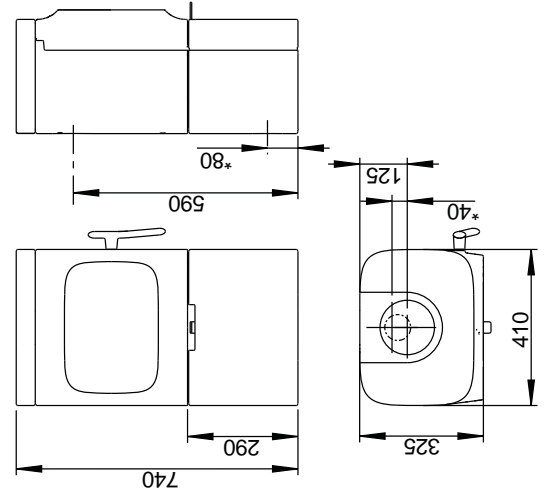
Dimensions minimales de la plaque de sol
X/Y = Conformes aux lois et règlements en vigueur.

** Pas de matériaux inflammables.

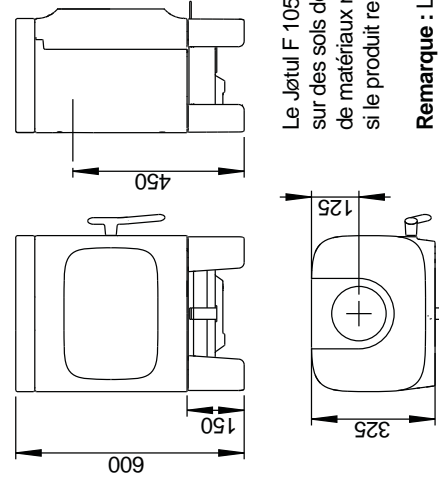
Jøtul F 105 R avec pieds longs et dessus en pierre ollaire



Jøtul F 105 R avec socle et dessus en pierre ollaire



Jøtul F 105 R avec pieds courts et dessus en pierre ollaire



Le Jøtul F 105 R SL (avec pieds courts) ne peut être installé sur des sols dont la surface et la structure sont composées de matériaux non inflammables. Cela s'applique également si le produit repose sur une plaque de sol.

Remarque : La zone non inflammable doit s'étendre d'au moins 500 mm à l'avant du poêle.

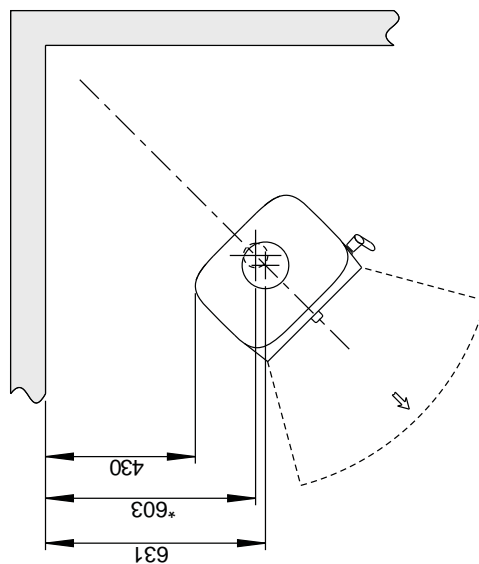
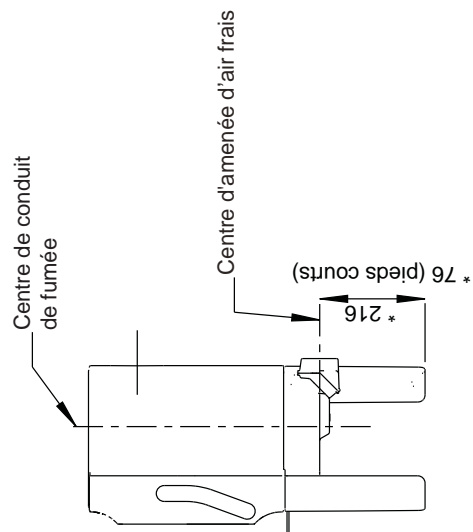
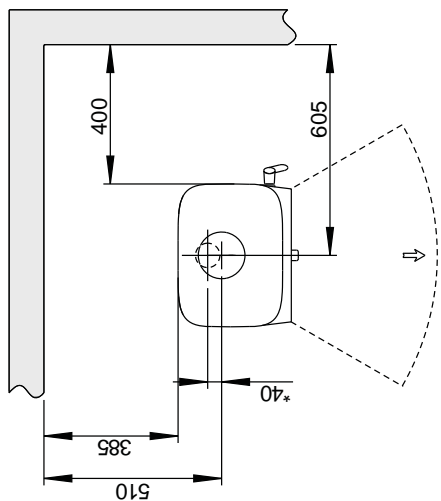
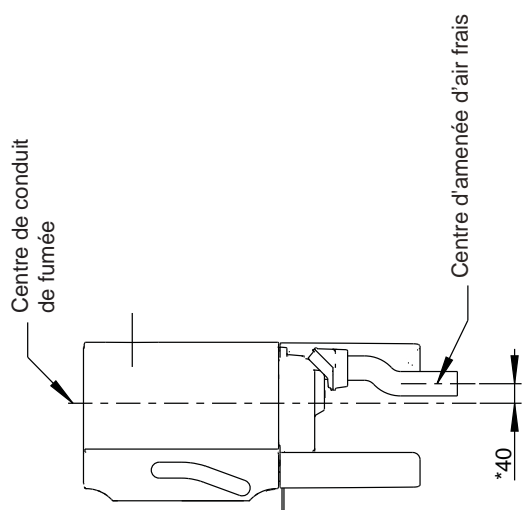
Remarque : Nous déconseillons d'installer le chauffage au sol (à eau ou électrique) dans cette zone.

* Amenée d'air frais

900200-P00

Jøtur F 105 R Distance minimale par rapport à un mur inflammable

Mur inflammable

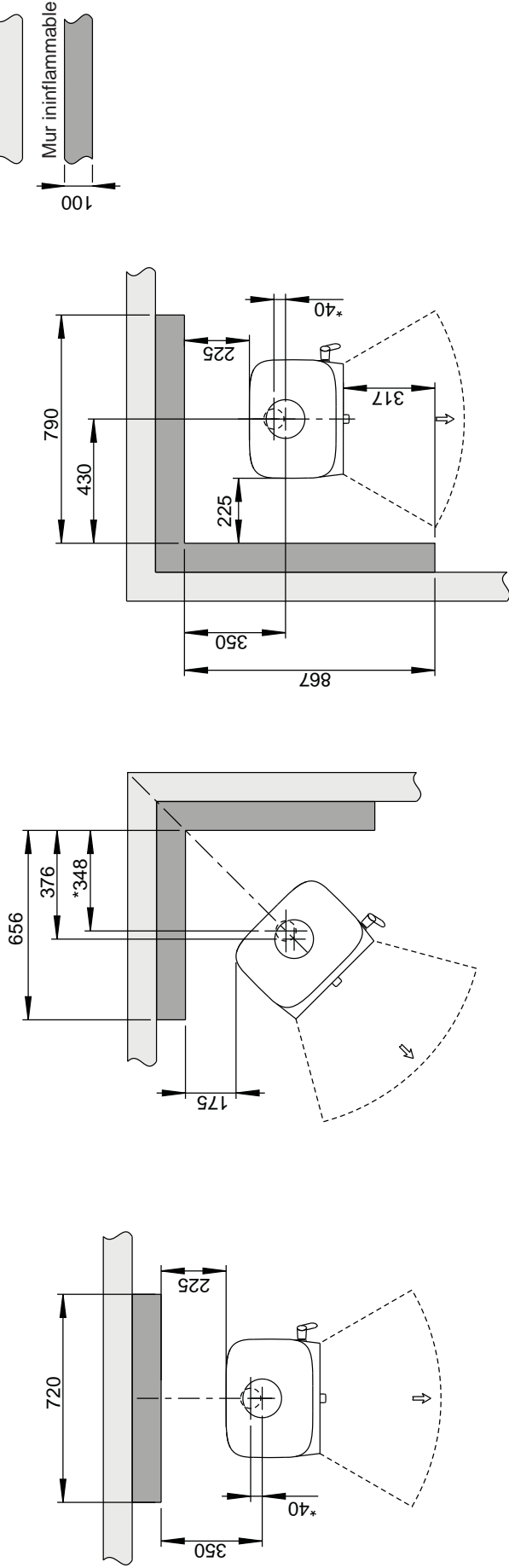


* Amenée d'air frais

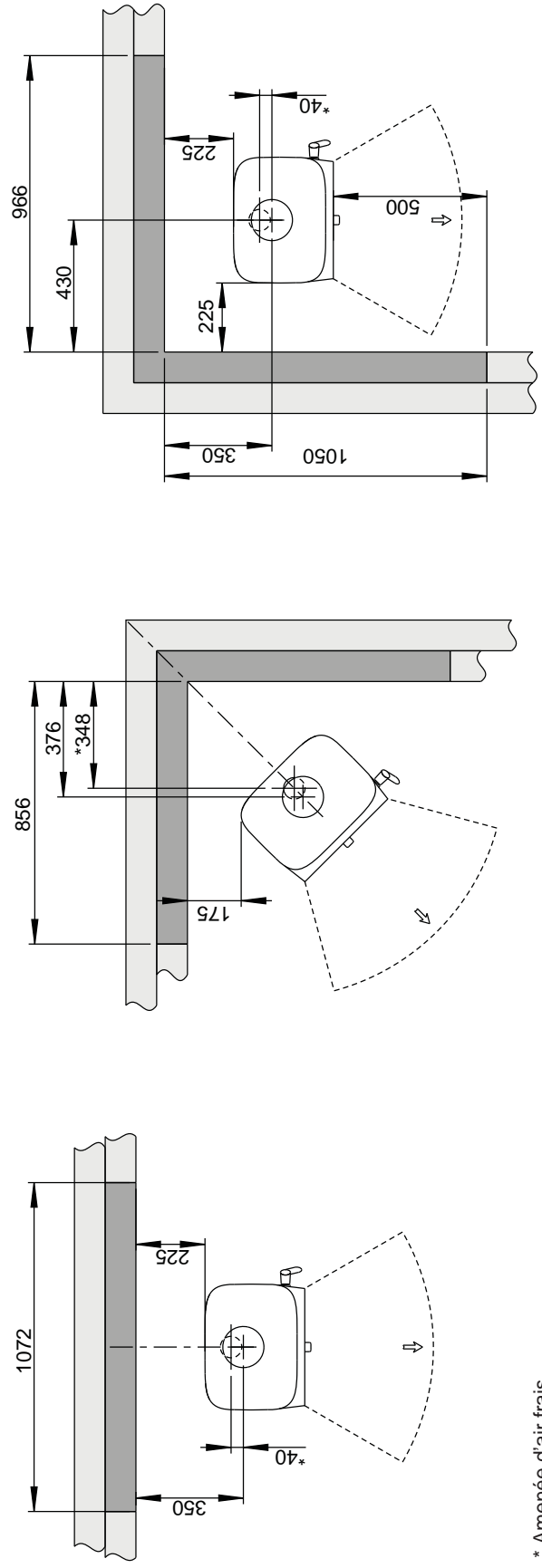
*** Distance par rapport à un mur inflammable avec conduit semi-isolé / tuyau avec bouclier thermique.

Fig. 1 c Jøtul F 105 R Distance minimale par rapport au mur en matériau combustible protégé par un pare-feu

Extern



Intégré



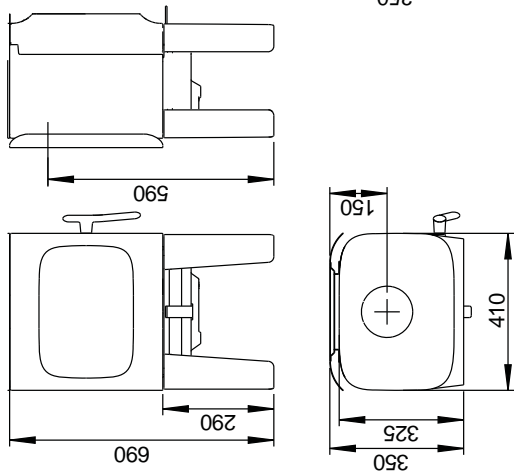
* Aménagé d'air frais

900200-P00

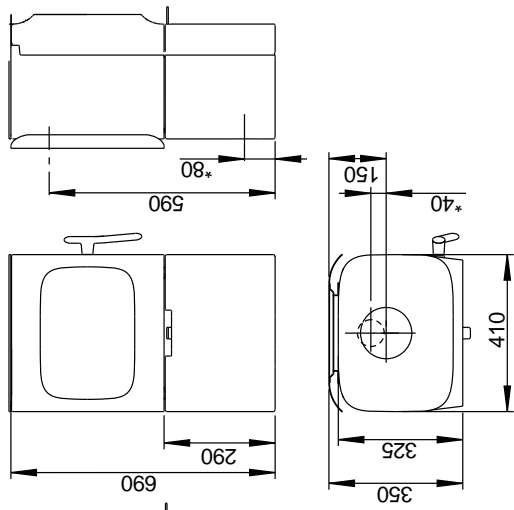
Fig. 1 d

Jøtul F 105

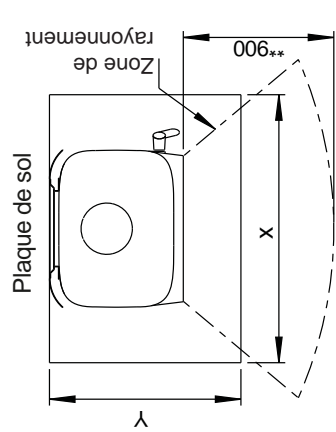
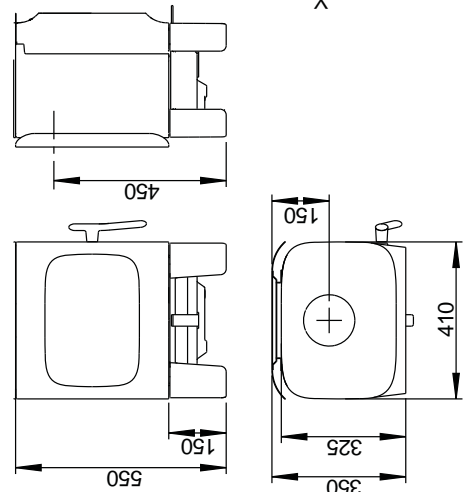
Jøtul F 105 avec pieds longs



Jøtul F 105 avec socle



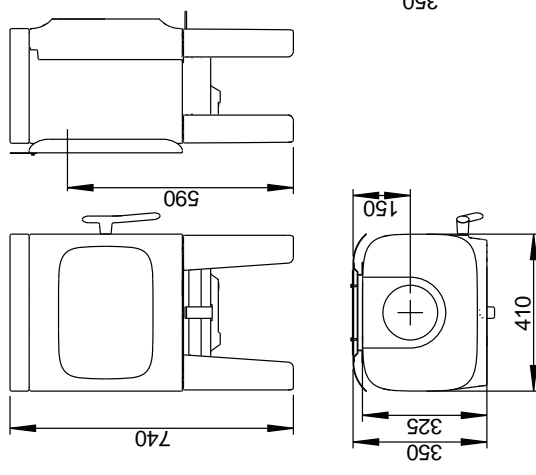
Jøtul F 105 avec pieds courts



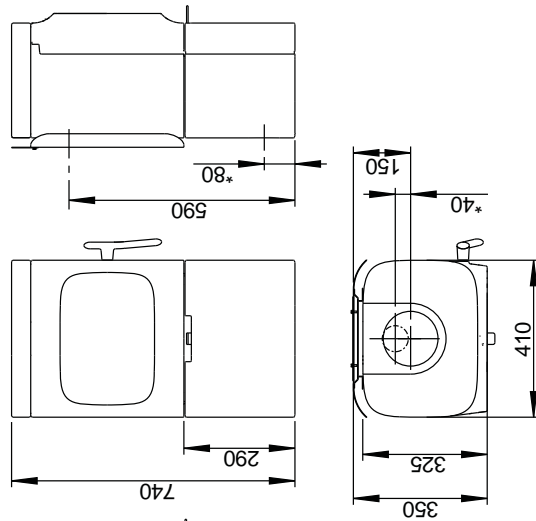
Dimensions minimales de la plaque de sol
X/Y = Conformes aux lois et règlements en vigueur.

** Pas de matériaux inflammables.

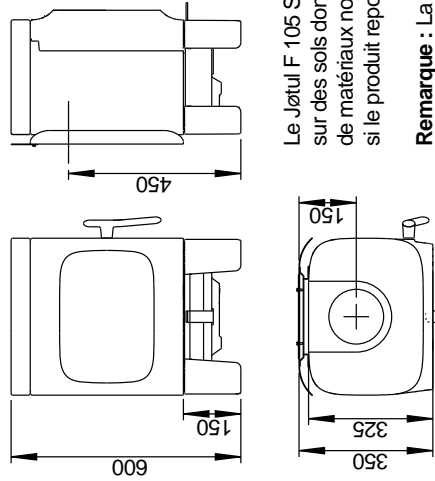
Jøtul F 105 avec pieds longs et dessus en pierre ollaire



Jøtul F 105 avec socle et dessus en pierre ollaire



Jøtul F 105 avec pieds courts et dessus en pierre ollaire



Le Jøtul F 105 SL (avec pieds courts) ne peut être installé sur des sols dont la surface et la structure sont composées de matériaux non inflammables. Cela s'applique également si le produit repose sur une plaque de sol.

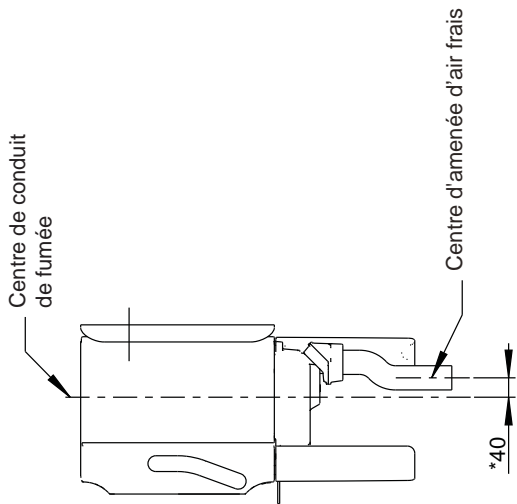
Remarque : La zone non inflammable doit s'étendre d'au moins 500 mm à l'avant du poêle.

Remarque : Nous déconseillons d'installer le chauffage au sol (à eau ou électrique) dans cette zone.

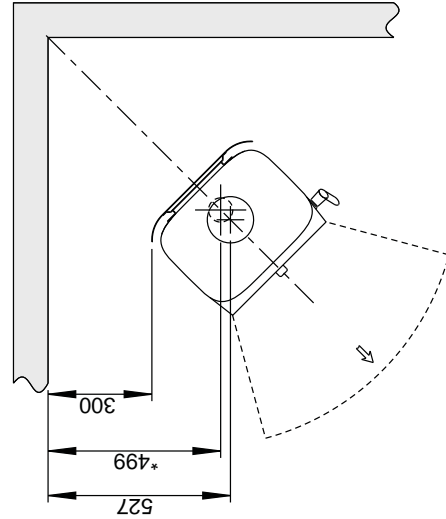
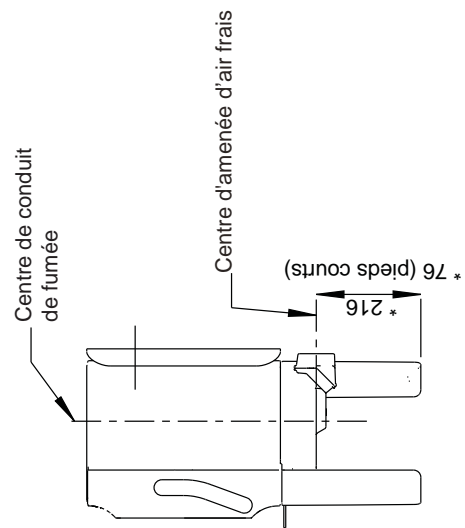
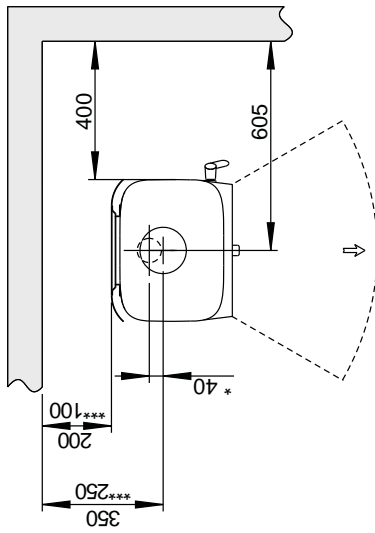
* Aménagé d'air frais

Jøtul F 105 Distance minimale par rapport à un mur inflammable

Mur inflammable



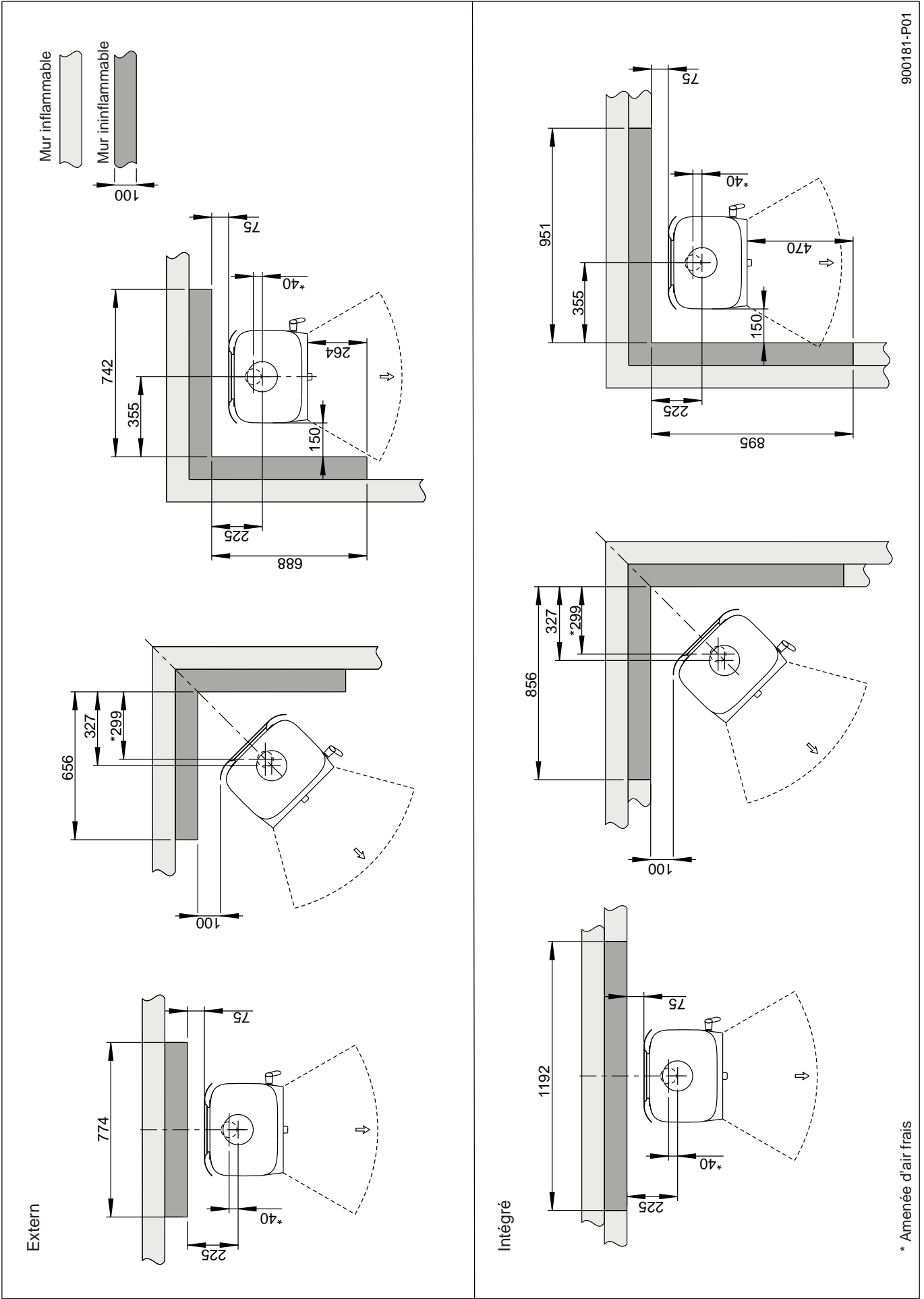
Med standard konveksjonsplate



* Aménée d'air frais

*** Distance par rapport à un mur inflammable avec conduit semi-isolé / tuyau avec bouclier thermique.

Fig. 1 f Jøtul F 105 Distance minimale par rapport au mur en matériau combustible protégé par un pare-feu



3.3 Les murs

Pour la distance aux murs et aux cloisons inflammables, reportez-vous à **la figure 1**.

Distance minimale par rapport au mur en matériau combustible protégé par un pare-feu, **Fig 1**.

Le poêle peut être utilisé avec un conduit de fumée non isolé, à condition que les distances entre le poêle et les murs/cloisons inflammables soient conformes à **la figure 1**.

Remarque : Placez le produit de telle manière qu'il soit possible de nettoyer le poêle, le tuyau de raccordement et le passage de la cheminée.

Remarque : Assurez-vous que les meubles et autres articles ménagers ne soient pas trop près et risquent d'être séchés par le poêle.

Amenée d'air frais

Dans une maison bien isolée, l'air utilisé pour la combustion doit être renouvelé. Ceci est particulièrement important dans une maison avec ventilation mécanique. Plusieurs méthodes sont possibles. Le plus important est de faire arriver l'air dans la pièce où le poêle est installé. Le clapet de mur extérieur doit être placé le plus près possible du poêle et doit pouvoir se fermer lorsque le poêle n'est pas utilisé.

Il convient de se conformer à la réglementation locale et nationale du bâtiment concernant la prise d'air extérieur.

Système de combustion fermé

Il convient d'utiliser le système de combustion fermé du poêle dans les habitations de construction récente, étanches à l'air. L'air extérieur de combustion est raccordé par l'intermédiaire d'un tuyau d'aération via le mur ou le sol.

Arrivée d'air

Le volume d'air de combustion des produits Jøtul est d'environ 20 à 40 m³/h. L'arrivée d'air frais peut être raccordée directement au poêle Jøtul F 105 par :

- la base
- par un tuyau flexible depuis l'extérieur ou la cheminée (seulement si celle-ci dispose d'une conduite propre pour l'air frais) et vers le raccord d'air frais de l'appareil.

Fig. 2A, par un mur

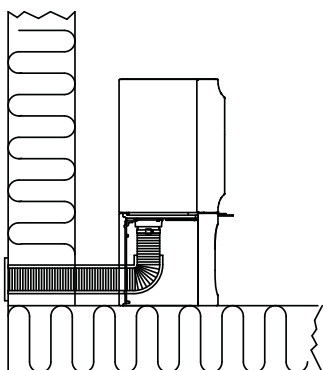


Fig. 2B, par le sol et la plaque de sol

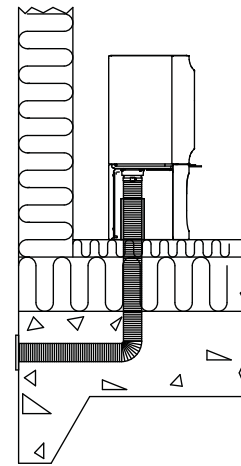


Fig. 2C, par le sol et la cave

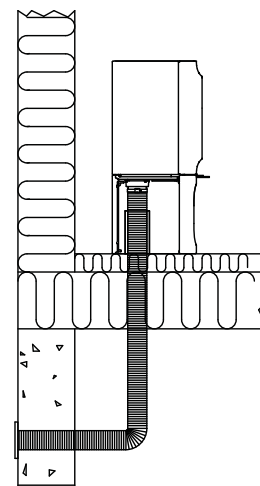
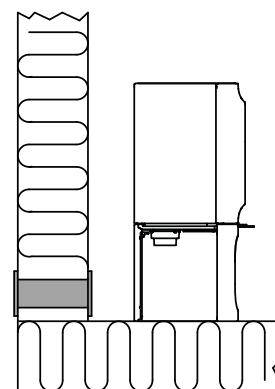


Fig. 2D, indirectement par un mur



4.0 Installation

Remarque : Assurez-vous que l'appareil est en bon état avant de procéder à l'installation.

Remarque : L'appareil est lourd ! Prévoyez de l'aide pour le montage et la mise en place.

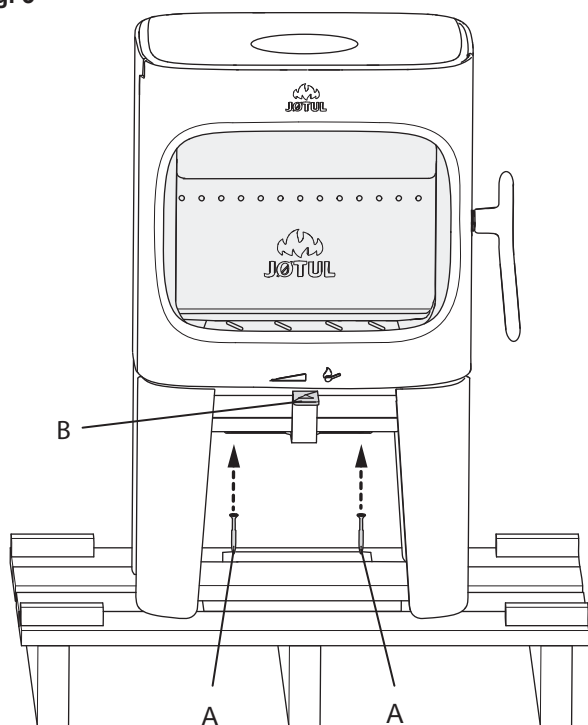
Remarque : Ne rien placer sur le couvercle du poêle, car cela pourrait causer des dommages permanents à la peinture/l'émail.

Faites en sorte que l'appareil ne puisse pas se renverser.

Remarque : Lisez attentivement le guide d'installation et d'utilisation avant d'installer le poêle !

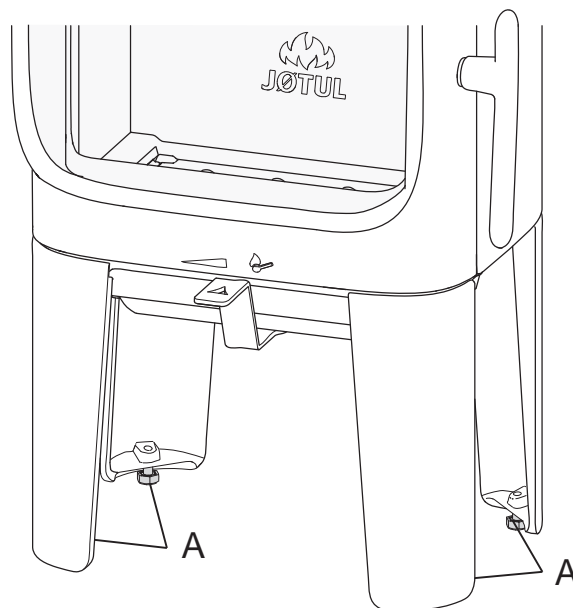
4.1 Avant l'installation - Jøtul F 105 avec pieds longs

Fig. 3



1. Retirez les deux vis de transport (A) qui maintiennent le poêle sur la palette en bois.
2. Laissez le poêle en place sur la palette de transport.
3. Sortez les gants, le sac de vis, le connecteur d'air extérieur et l'adaptateur se trouvant dans le poêle.
4. Vérifiez que le registre de commande (B) se déplace facilement.

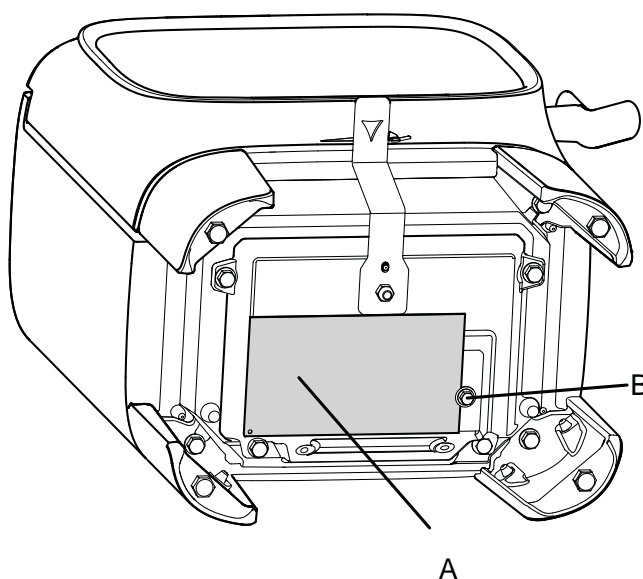
Fig. 4



5. Installer les vis de réglage de la hauteur avec des bouchons en plastique placés dans le sac de vis.
6. Retirer le poêle de la palette.
7. Mettre en place le poêle et régler sa position horizontale en serrant/desserrant les 4 vis de réglage en hauteur, à l'aide d'une clé plate. Effectuer un marquage sur le mur s'il est prévu d'avoir une sortie arrière pour le conduit de fumée et une amenée d'air frais extérieur. **Remarque :** Prendre en compte la hauteur de la plaque de sol.

Plaque d'homologation

Fig. 5



1. Retirer la plaque d'homologation (A) du cendrier et la fixer à l'aide de l'écrou (B), comme indiqué. L'écrou doit être uniquement serré avec les doigts. **Remarque :** Ne pas couper le fil utilisé pour la fixation de la plaque.

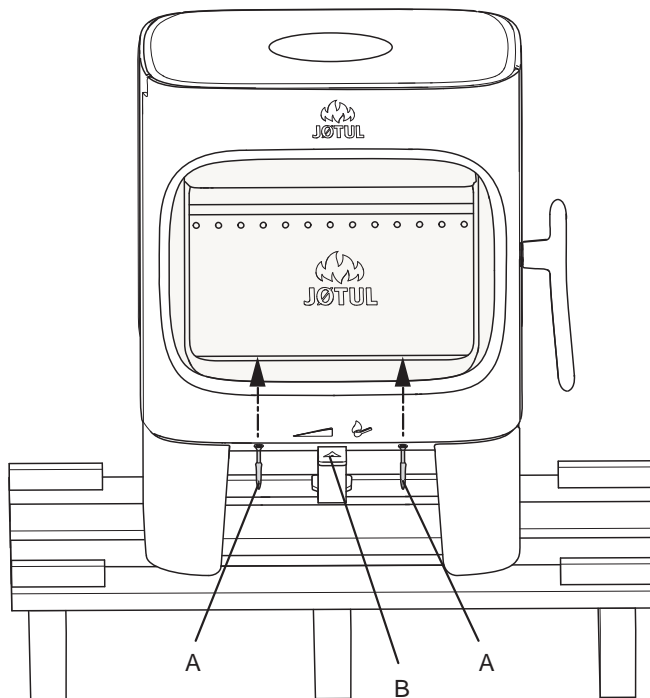
4.2 Avant l'installation - Jøtul F 105 avec pieds courts

Le Jøtul F 105 SL (avec pieds courts) ne peut être installé que sur des sols dont la surface et la structure sont composées de matériaux non inflammables. Cela s'applique également si le produit repose sur une plaque de sol.

Remarque : La zone non inflammable doit s'étendre d'au moins 500 mm à l'avant du poêle.

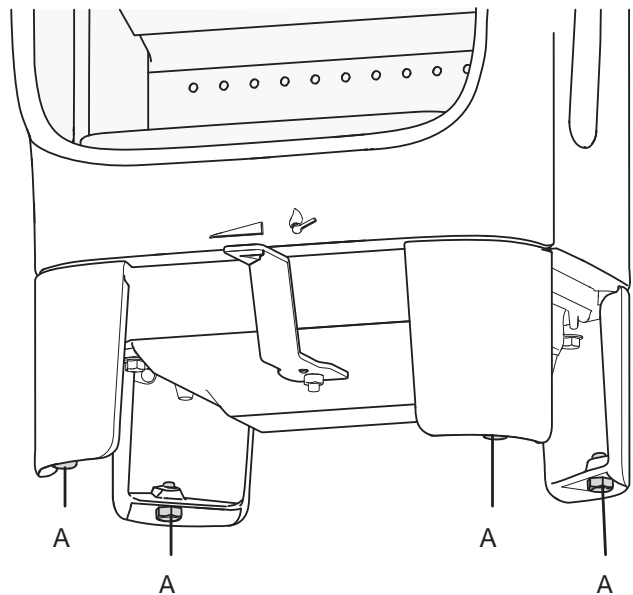
Remarque : Nous déconseillons d'installer le chauffage au sol (à eau ou électrique) dans cette zone.

Fig. 6



1. Retirer les deux vis de transport (A) qui maintiennent le poêle sur la palette en bois.
2. Laisser le poêle en place sur la palette de transport.
3. Sortez les gants, le sac de vis, le connecteur d'air extérieur et l'adaptateur rangés dans le poêle.
4. Vérifiez que le registre de commande (B) se déplace facilement.

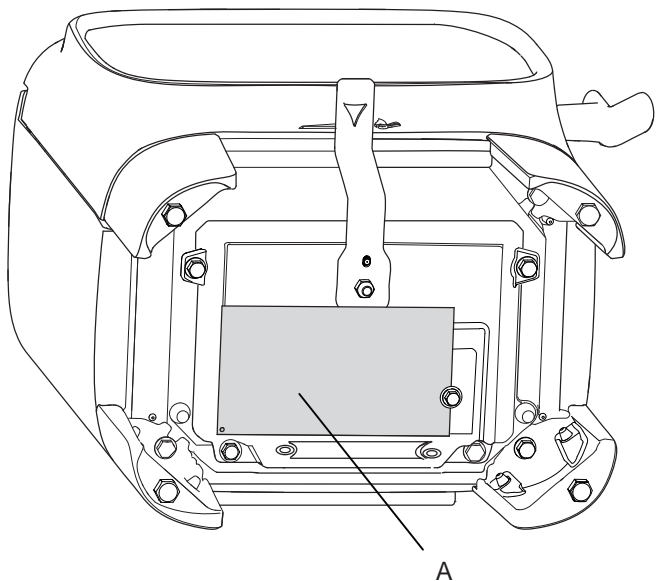
Fig. 7



5. Installer les vis de réglage de la hauteur avec des bouchons en plastique placés dans le sachet de vis.
6. Retirer le poêle de la palette.
7. Mettre en place le poêle et régler sa position horizontale en serrant/desserrant les 4 vis de réglage en hauteur, à l'aide d'une clé plate. Effectuer un marquage sur le mur s'il est prévu d'avoir une sortie arrière pour le conduit de fumée et une amenée d'air frais extérieur. **Remarque :** Prendre en compte la hauteur de la plaque de sol.

Plaque d'homologation

Fig. 8

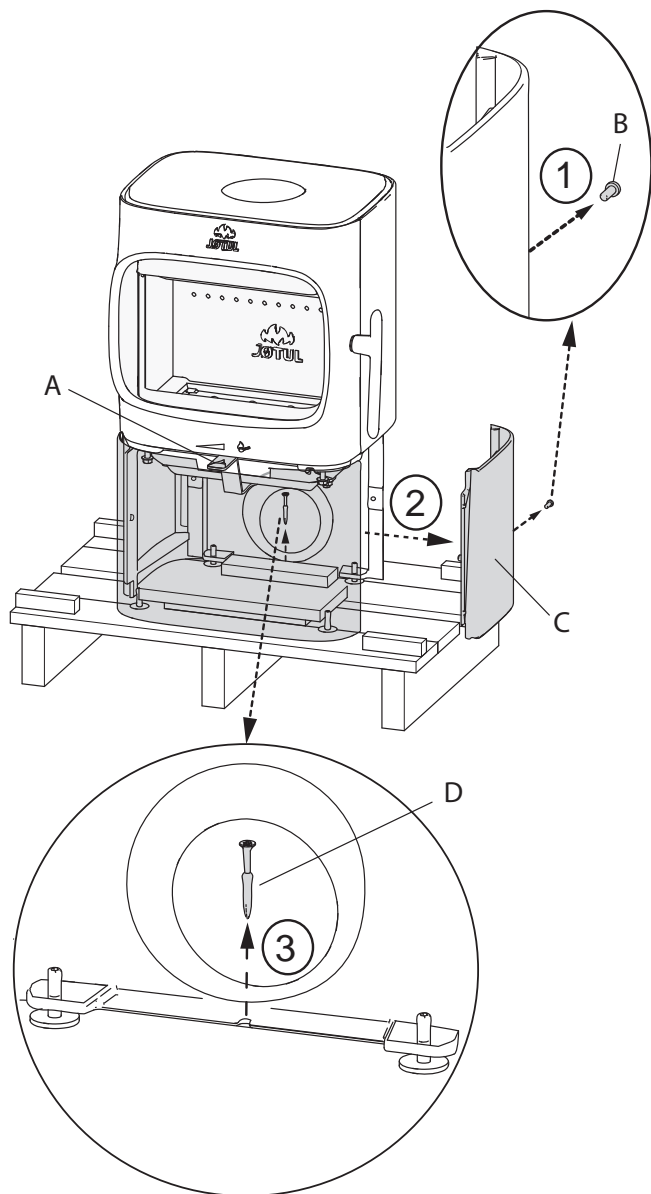


1. Retirer la plaque d'homologation (A) du cendrier et la fixer à l'aide de l'écrou (B), comme indiqué. L'écrou doit être uniquement serré avec les doigts. **Remarque :** Ne pas couper le fil utilisé pour la fixation de la plaque.

FRANCAIS

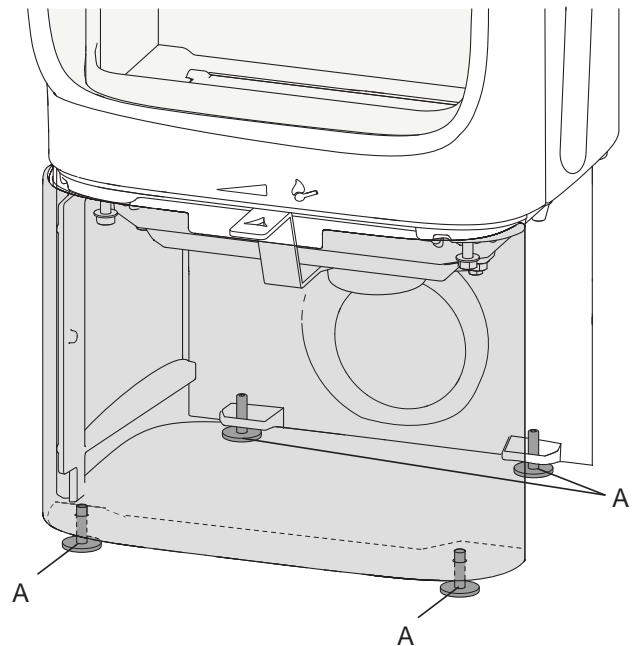
4.3 Préparatifs pour Jøtul F 105 avec socle

Fig. 9



1. Sortez les gants, le sac de vis, le connecteur d'air extérieur et l'adaptateur rangés dans le poêle.
2. 1. Desserrez la vis placée au milieu de la face arrière de la plaque latérale.
2. Retirez la plaque latérale (C).
3. Retirez la vis de transport (D) qui maintient le poêle sur la palette en bois.
3. Vérifiez que le registre de commande (A) se déplace facilement.
4. Dégagez le poêle de la palette et le mettre en place (voir fig. 1).

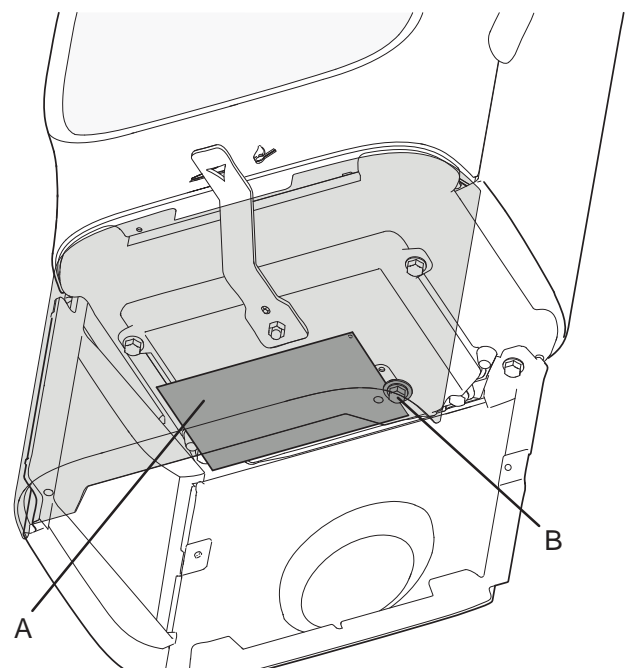
Fig. 10



5. Installer les vis de réglage de la hauteur avec des bouchons en plastique placés dans le sachet de vis.
6. Retirer le poêle de la palette.
7. Mettre en place le poêle et ajuster sa position horizontale avec les 4 vis de réglage en hauteur. Utilisez la clé six pans qui se trouve dans le sachet de vis. Effectuer un marquage sur le mur s'il est prévu d'avoir une sortie arrière pour le conduit de fumée et une amenée d'air frais extérieur.
Remarque : Prendre en compte la hauteur de la plaque de sol.

Plaque d'homologation

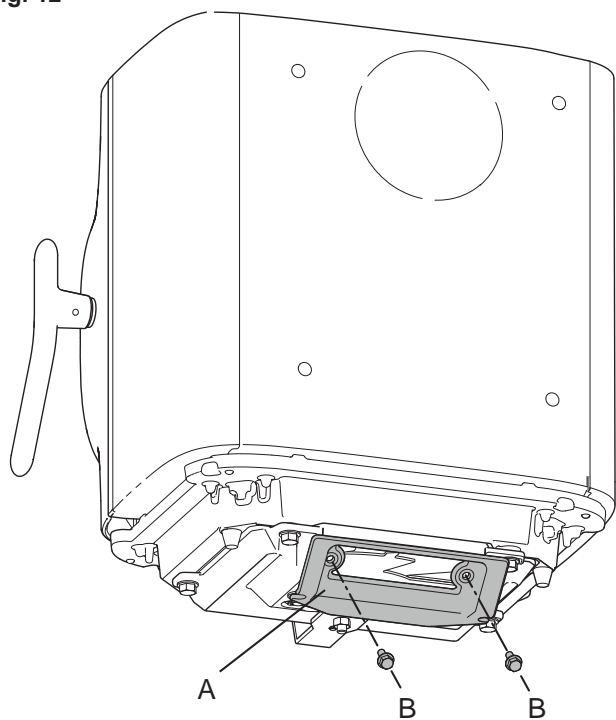
Fig. 11



1. Retirer la plaque d'homologation (A) du cendrier et la fixer à l'aide de l'écrou (B), comme indiqué. L'écrou doit être uniquement serré avec les doigts. **Remarque : Ne pas couper le fil utilisé pour la fixation de la plaque.**

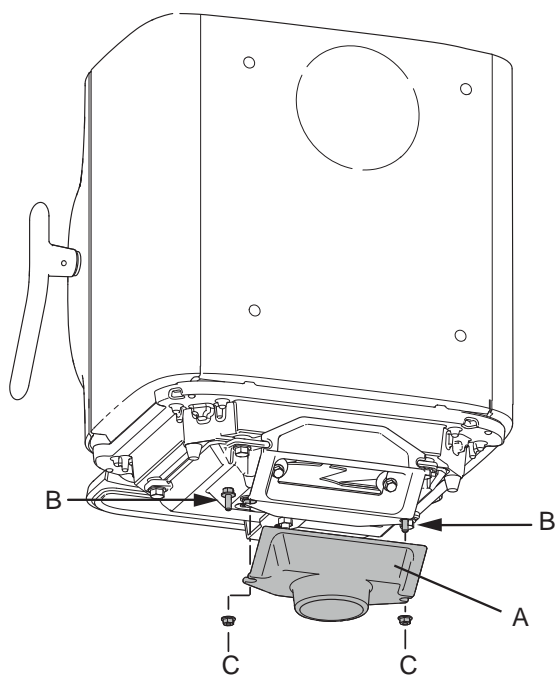
Amenée d'air frais à travers le sol

Fig. 12



1. Fixez l'adaptateur (A) sur le fond du poêle au moyen des vis fournies (B) (Pré-monté sur Jøtul F 105 B).

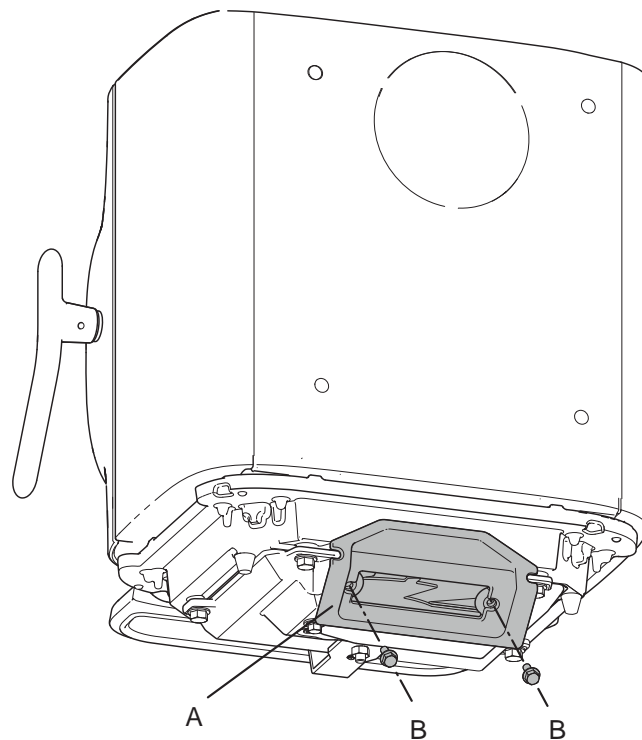
Fig. 13



2. Fixez le raccord d'air extérieur (A) à l'adaptateur en insérant les deux vis (B) dans le rail et en serrant les écrous (C).

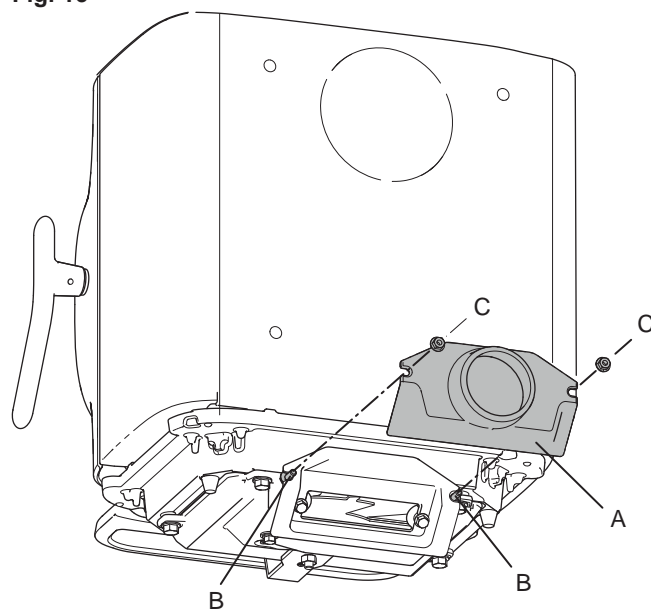
Amenée d'air frais à travers une sortie arrière

Fig. 14



1. Fixez l'adaptateur (A) dans le poêle au moyen des deux vis fournies (B) (Pré-monté sur Jøtul F 105 B).

Fig. 15



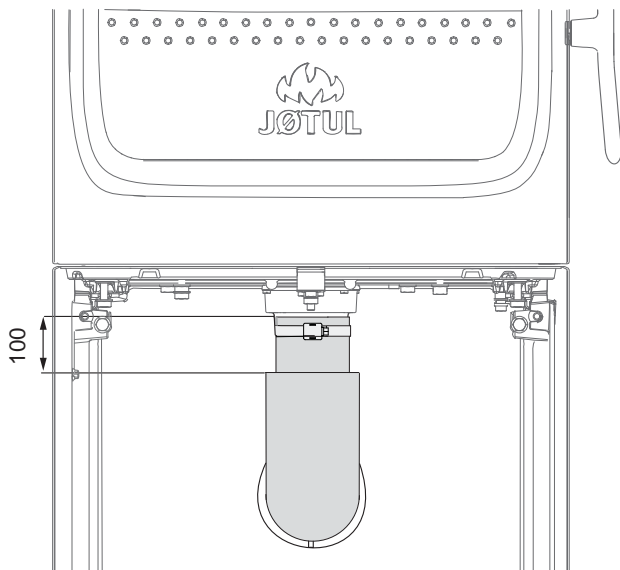
2. Fixez le raccord d'air extérieur (A) à l'adaptateur en insérant les deux vis (B) dans le rail et en serrant les écrous (C).

FRANCAIS

Raccordement de l'air extérieur à travers le socle

À travers une sortie par l'arrière

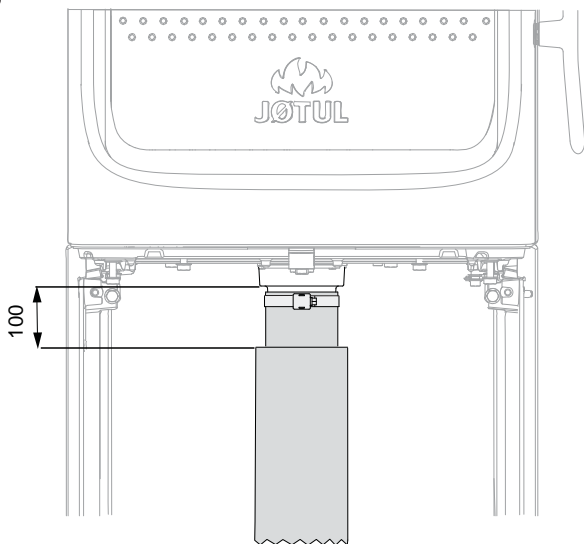
Fig. 16



3. Pour la fixation du tube d'amenée d'air frais $\varnothing 80$ (équipement optionnel - article n° 51047509), consultez le manuel (article n° 10047508.) fourni avec le kit d'air extérieur. Fixer le tuyau au connecteur de l'air extérieur à l'aide d'un collier de serrage. L'isolant du tuyau d'arrivée d'air extérieur se termine à env. **100 mm au-dessous** du poêle.

Travers le sol

Fig. 17



4. Pour la fixation du tube d'amenée d'air frais $\varnothing 80$ (équipement optionnel - article n° 51047509), consultez le manuel (article n° 10047508.) fourni avec le kit d'air extérieur. Fixer le tuyau au connecteur de l'air extérieur à l'aide d'un collier de serrage. L'isolant du tuyau d'arrivée d'air extérieur se termine à env. **100 mm au-dessous** du poêle.

4.4 Cheminées et conduits

- Le poêle peut être branché à une cheminée et à un conduit approuvés pour les poêles à combustible solide, avec les températures de fumées spécifiées dans la section «**2.0 Données techniques**».
- La section minimale de la cheminée doit correspondre à celle du conduit. Pour calculer la section adéquate de la cheminée, voir la section «**2.0 Données techniques**».
- Le raccordement à la cheminée doit être réalisé conformément aux **D.T.U. 24.1** ; ainsi qu'aux instructions d'installation du fournisseur de la cheminée.
- Procéder à un montage d'essai du poêle avant de percer un trou dans la cheminée. Voir **fig. 1** pour les cotes.
- Raccordement arrière : veiller à ce que le conduit de raccordement soit incliné vers le haut.
- Utiliser un coude de conduit doté d'une trappe ou un té ou siphon afin de permettre les opérations de ramonage suivant règlement.
- Veiller à ce que les raccordements soient souples afin d'empêcher toute fissure lors de l'installation.
- Tirage recommandé; Voir également les sections «**2.0 Données techniques**». En cas de tirage trop important, utiliser un clapet ou un modérateur de tirage.

Plusieurs poêles à combustible solide peuvent être raccordés au même système de cheminée, dès l'instant où la section est correcte. **Remarque : Consultez les règles et règlements applicables pour savoir ce qui est permis.**

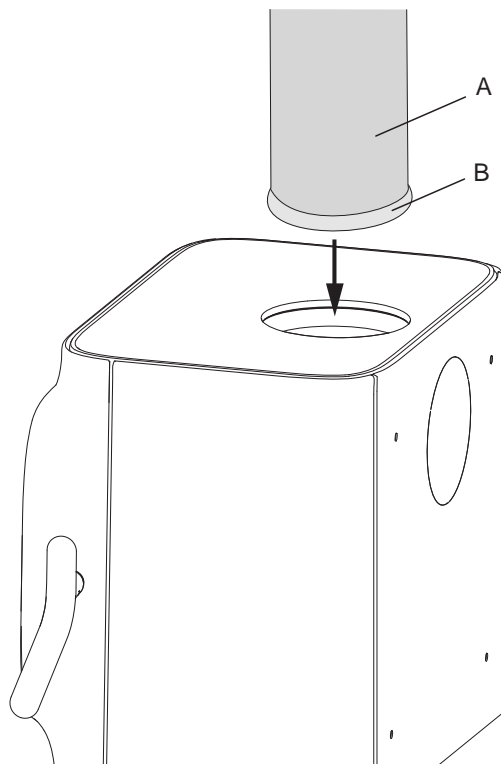
Utilisation dans des conditions météorologiques différentes

L'influence du vent sur la cheminée peut fortement influencer la manière dont le poêle réagit par rapport aux changements de vent et il peut donc être nécessaire d'ajuster l'arrivée d'air afin d'obtenir une bonne combustion.

4.5 Montage d'un conduit de fumée avec sortie par le haut

Le produit est livré avec un conduit d'évacuation de la fumée prévu pour une sortie par le haut.

Fig. 18

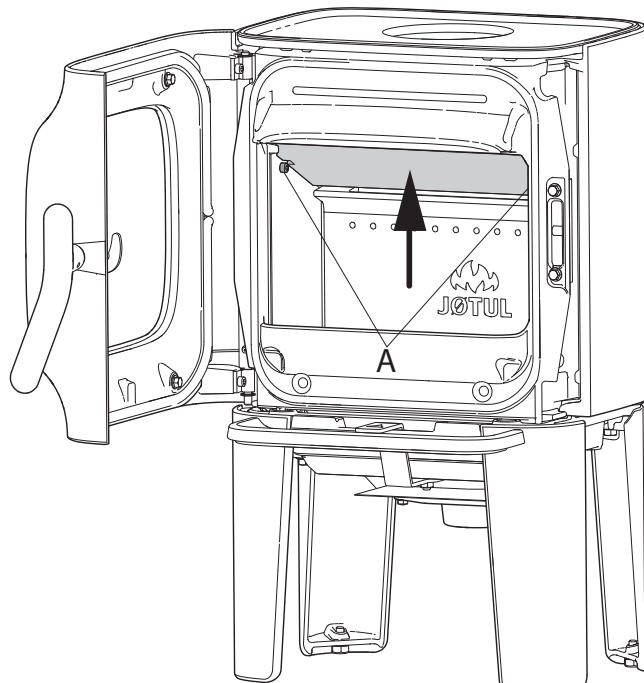


1. Emmancher le conduit de fumée (A) à travers la plaque supérieure, puis le placer dans la sortie de fumée par le haut.
2. Étanchéifier à l'aide d'un joint (B).

4.6 Montage d'un conduit de fumée avec sortie par l'arrière

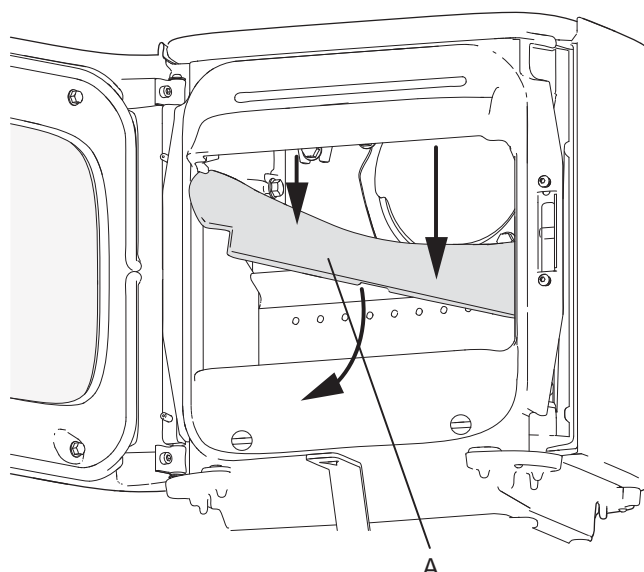
Le produit est livré avec un conduit d'évacuation de la fumée prévu pour une sortie par le haut. Si vous souhaitez une évacuation par l'arrière, procédez comme suit :

Fig. 19



1. Retirez le déflecteur en le soulevant par le bord arrière, puis le tourner pour le sortir du poêle. Dévisser les deux vis (A).

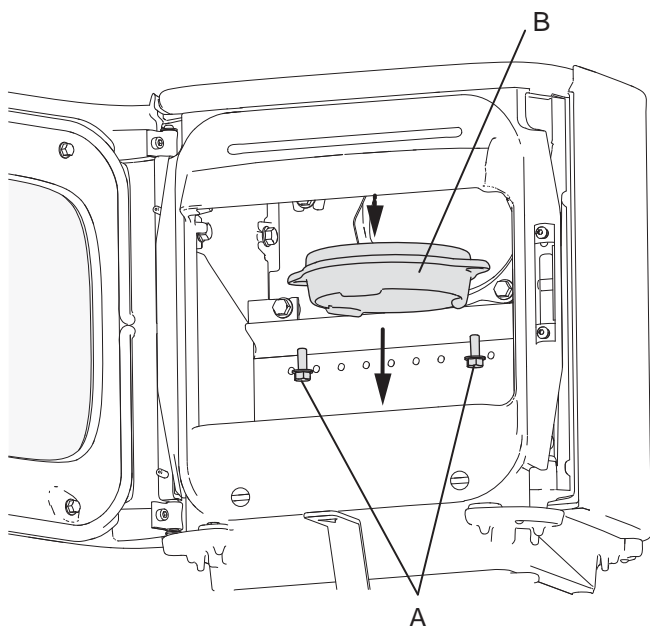
Fig. 20



1. Placez le produit dans une position correcte. Voir la fig. 1
2. Retirez le déflecteur de fumée (A).

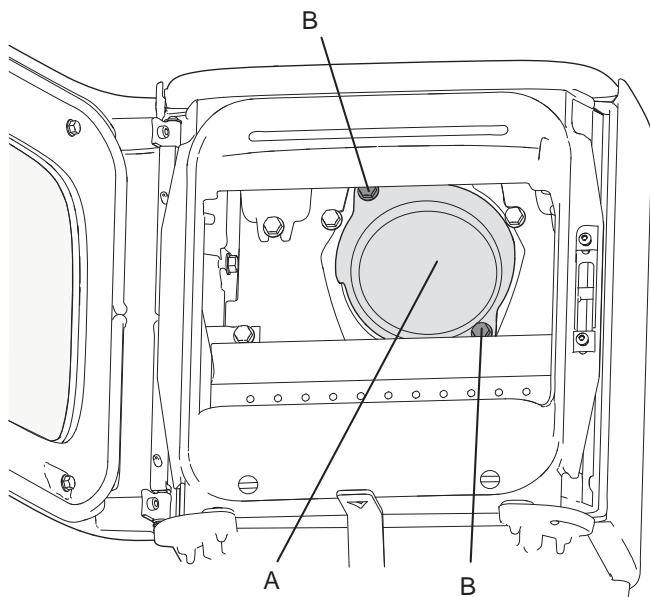
FRANCAIS

Fig. 21



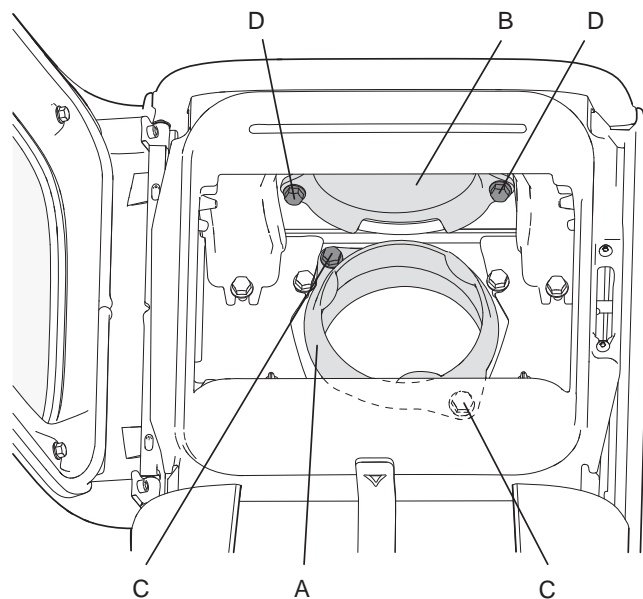
3. Desserrez les vis (A) et retirez la sortie des fumées (B) de la sortie par le haut.

Fig. 22



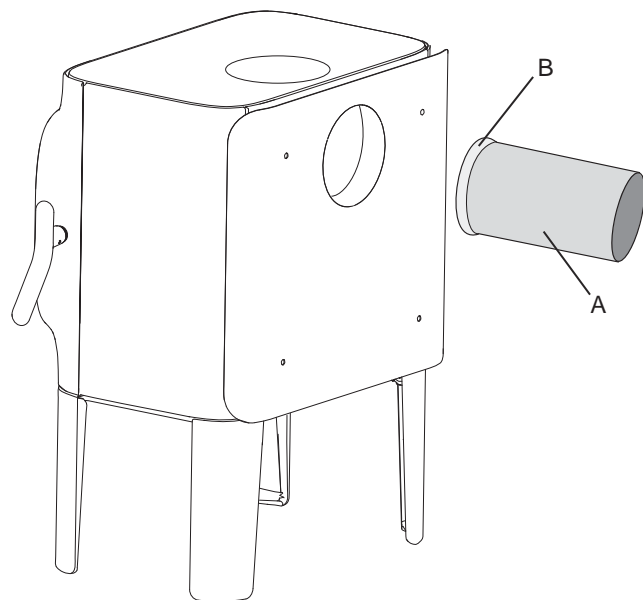
4. Desserrez les vis (B) et enlevez le couvercle (A) de la sortie arrière de l'intérieur du poêle.

Fig. 23



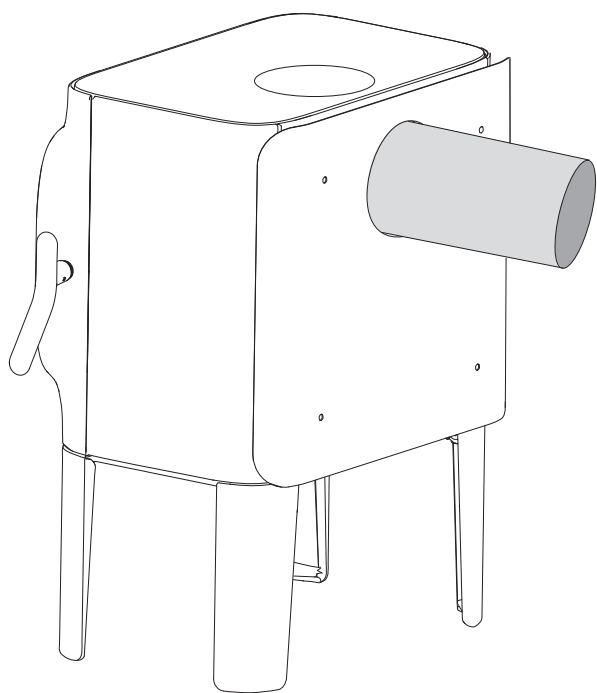
5. Fixez la sortie des fumées (A) à la sortie à l'arrière avec les deux vis (C) depuis l'intérieur du poêle.
6. Fixez le couvercle (B) à la sortie par le haut avec les deux vis (D) depuis l'intérieur du poêle.
7. Retirez le déflecteur supérieur (fig. 24).
8. Positionnez le déflecteur (fig. 23).

Fig. 24



9. Placer le joint d'étanchéité (B) sur le bord du conduit de fumée (A).

Fig. 25



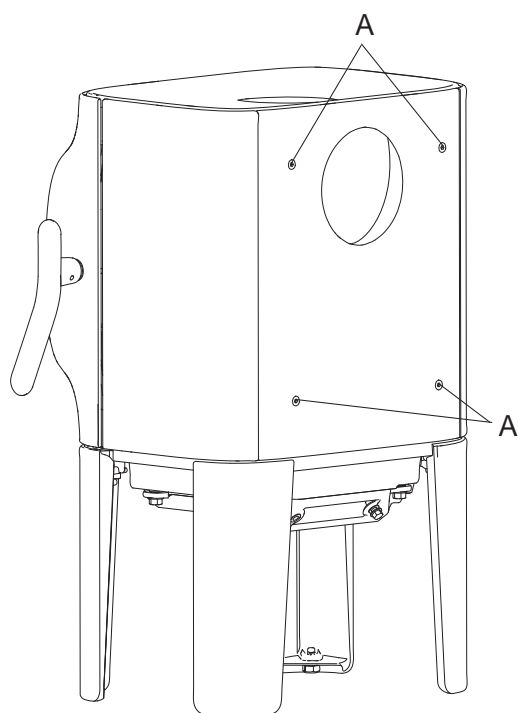
10. Insérer le conduit de fumée dans la sortie arrière.

Remarque : Il est important que les joints/conduits de fumée soient parfaitement étanches. Les fuites d'air peuvent nuire au bon fonctionnement de l'appareil.

Produit sans plaque de convection

Remarque : Si la plaque de convection n'est pas utilisée, le produit aura différentes conditions d'installation (voir fig. 1).

Fig. 26

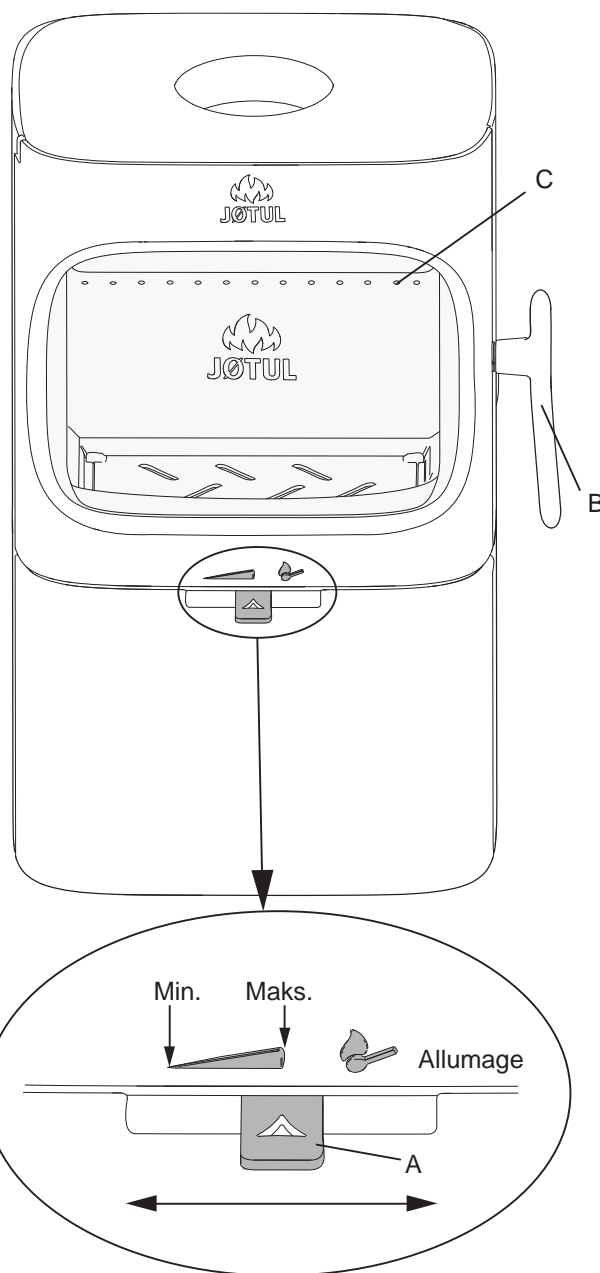


1. Si la plaque de convection n'est pas utilisée, revisser les vis (A) à l'arrière du poêle après avoir retiré la plaque de convection. Pour cela utilisez la clé Allen fournie.

4.7 Test de fonctionnement

Inspectez toujours les poignées de commande une fois l'appareil monté. Les éléments mobiles doivent fonctionner librement.

Fig. 27



Le poêle Jøtul F 105 comporte les commandes suivantes :

Registre d'air (A)

Déplacé vers la gauche : Minimum
Placé au milieu : Maximum
Poussé à fond à droite : Pour l'allumage

Poignée de porte (B)

Ouvrir en tirant sur la poignée.

Hauteur empilable (C) pour le bois (les trous ne doivent pas être dépassés).

FRANCAIS

5.0 Utilisation au quotidien

Odeurs perceptibles lors de la première utilisation du poêle

Lors de la première utilisation, le poêle peut émettre un gaz irritant et dégager des odeurs désagréables. Ceci se produit seulement lorsque la peinture est neuve. Ce gaz n'est pas toxique, mais il est recommandé de bien aérer la pièce. Maintenir un tirage élevé dans le poêle jusqu'à qu'aucun gaz, fumée ou odeur ne puisse être détecté.

Conseils de chauffage

Remarque : Il est recommandé d'entrer les bûches qui ont été stockées à l'extérieur ou dans une pièce froide 24 heures avant de les brûler afin de les amener à température ambiante.

Il existe différentes manières de chauffer le poêle, mais soyez toujours attentif à ce que vous y mettez. Voir le chapitre intitulé « **La qualité du bois** ». **Important !** Une alimentation en air insuffisante entraîne une mauvaise combustion, des émissions élevées et un faible niveau d'efficacité.

La qualité du bois

Par bois de qualité, nous entendons les essences les plus courantes telles que bouleau, épicéa et pin ou hêtre, chêne, érable. Suivant les pays.

Les bûches doivent sécher afin que leur teneur en eau ne dépasse pas 20 %.

Pour cela, il convient de couper le bois à la fin de l'hiver. Fendez-les et empilez-les pour permettre à l'air de bien circuler. Recouvrez les piles afin de protéger les bûches doivent sécher pendant 24 mois. Entrez les bûches dans la maison au début de l'automne en vue de leur utilisation pendant l'hiver qui suit.

Soyez particulièrement attentif à ne jamais brûler les matériaux suivants dans le poêle :

- Les déchets ménagers, les sacs en plastique, etc.
- Le bois peint ou imprégné (très toxique).
- Le bois contreplaqué
- Le bois qui est resté dans l'eau
- Les chutes de menuiserie dont le bois est trop sec.
- Le bois de récupération de chantier

Ceux-ci risquent d'endommager l'appareil et ce sont aussi des polluants.

Remarque : N'employez jamais de l'essence, de la paraffine, de l'alcool (méthylique) ou tout liquide similaire pour allumer le feu. Vous risqueriez de vous blesser sérieusement et d'endommager l'appareil.

Bois d'allumage (bois fendu menu) :

Longueur : max. 33 cm
Diamètre : 2 à 4 cm
Quantité nécessaire à l'allumage : 6 à 8 morceaux

Bois (bois fendu) :

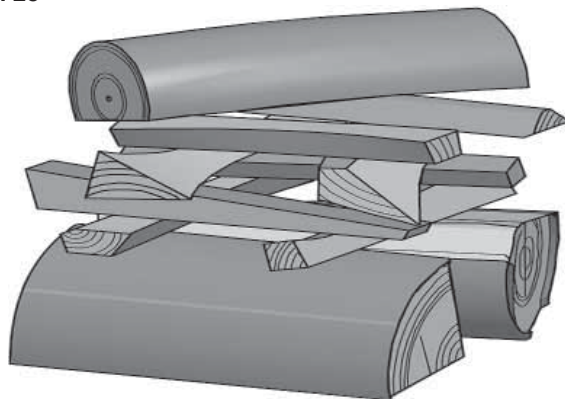
Longueur recommandée : 20 à 33 cm
Diamètre : Environ 8 cm
Ajouter du bois toutes les : 45 - 50 minutes environ
Taille du feu : 1,1kg (puissance nominale)
Quantité nécessaire à l'allumage : x2
Quantité de bois d'allumage max. : 2,0 kg

La puissance de chauffage nominale s'obtient lorsque le registre d'air est ouvert à environ 30 % (fig. 27). La puissance de chauffage maximum s'obtient lorsque le registre d'air est ouvert à environ 50 %.

Premier allumage

Ouvrir le registre d'air frais et le registre d'allumage en tirant les poignées (fig. 27) à fond. Si nécessaire, maintenir la porte légèrement ouverte.

Fig. 28



- Disposez deux bûches au fond du poêle et empilez le bois d'allumage en strates croisées successives.
- Pour finir, placez une bûche de taille moyenne au sommet de la pile de bois.
- Placez 2 ou 3 briquettes sous la plus haute strate de bois d'allumage puis allumez le feu. **Remarque :** La hauteur maximale de la pile de bois ne doit pas dépasser la ligne de trous horizontale. Ne pas recouvrir les trous.
- Fermez la porte.
- Si le flux d'air est normal, vous pourrez fermer la porte et le feu continuera à brûler de lui-même.
- Vous pouvez régler la vitesse de combustion pour obtenir le degré de chauffage souhaité en ajustant le registre d'air frais (fig. 27).
- Vérifiez que la postcombustion (combustion secondaire) démarre. On le voit aux flammes jaunes, dansantes, devant les trous sous le déflecteur.

Ajouter du bois

Alimentez le poêle régulièrement mais n'ajoutez que de petites quantités de combustible à la fois. Si la combustion est trop vive, la contrainte thermique dans la cheminée risque de devenir excessive. Faites preuve de modération. Évitez les feux couvants car ils sont les plus polluants. Le feu est parfait lorsque le bois brûle bien et que la fumée qui sort de la cheminée est pratiquement invisible. Remarque : Il est important de maintenir la porte fermée pendant la combustion.

5.1 Risque de surchauffe

Ne surchauffez jamais le poêle

La surchauffe est provoquée par un excès de combustible et/ou d'air qui donne lieu à un dégagement de chaleur trop important. Lorsque le poêle devient incandescent par endroits, c'est un signe incontestable de surchauffe. Si le cas se produit, réduisez immédiatement l'apport d'air frais. En cas de surchauffe, la garantie ne pourrait pas être assurée.

Si vous pensez que la cheminée tire mal (tirage excessif ou insuffisant), contactez un spécialiste. Pour plus de détails, reportez-vous à « **4.0 Installation** » (Cheminée et conduit d'évacuation).

5.2 Décendrage

Le poêle Jøtul F 105 est équipé d'un cendrier qui permet de vider facilement les cendres.

- Attendez que le poêle soit froid pour retirer les cendres.
- Raclez les cendres au-dessus de la grille au fond du poêle pour qu'elles tombent dans le cendrier. Portez un gant ou une protection similaire pour vous protéger la main. Saisissez la poignée du cendrier et sortez les cendres.
- Avant de refermer la porte, assurez-vous que le cendrier a été introduit jusqu'au fond.

6.0 Maintenance

6.1 Nettoyage de la vitre

Le poêle est équipé d'un système d'entrée d'air par le haut. L'air est aspiré au-dessus du poêle et circule le long de la vitre.

L'accumulation de suie sur la vitre est toutefois inévitable, la quantité de dépôts dépendant du taux d'humidité du combustible, des conditions de tirage et du réglage de l'entrée d'air supérieure. Une grande partie de cette suie est normalement consommée lorsque l'entrée d'air est ouverte à son maximum et en présence d'un feu vif dans le poêle.

Un bon conseil ! Pour les opérations courantes de nettoyage, humidifier un essuie-tout ou du papier journal à l'eau chaude et l'imprégner de quelques cendres prélevées dans la chambre de combustion. Frotter la vitre avec ce papier puis rincer à l'eau claire et essuyer. Pour un nettoyage optimal, il est recommandé d'utiliser un nettoyant à vitres. Ne jamais projeter le produit directement sur la vitre : il risque de détériorer les fixations de la vitre et le joint, ce qui peut entraîner la cassure de la vitre.

6.2 Nettoyage et élimination de la suie

Pendant l'utilisation, de la suie peut se déposer sur les surfaces internes du poêle. La suie est un bon isolant. Elle réduit donc le rendement thermique du poêle. Utiliser une brosse métallique pour retirer tout dépôt de suie dans le produit sauf sur les plaques en vermiculite.

Laisser brûler vivement afin d'éviter tout dépôt de goudron et d'eau dans le poêle. Un nettoyage annuel de l'intérieur du poêle est requis pour optimiser le rendement du produit. Cette opération peut être réalisée lors du ramonage des conduits et de la cheminée.

6.3 Ramonage des conduits d'évacuation vers la cheminée

Le ramonage des conduits doit s'effectuer à partir de la trappe de ramonage ou depuis l'intérieur du produit suivant les réglementations locales.

Commencez par retirer les déflecteurs inférieur et supérieur.

6.4 Inspection du poêle

Jøtul recommande que l'utilisateur contrôle personnellement et soigneusement le poêle suite à une opération de ramonage/nettoyage. Vérifier l'absence de fissures sur toutes les surfaces visibles. Vérifier également l'état et la bonne installation de tous les joints. Tout joint montrant des signes d'usure, de déformation ou de dureté doit être remplacé. Un appareil ne doit jamais fonctionner avec un composant défaillant.

Nettoyer soigneusement les gorges de joint, appliquer de la colle céramique (disponible auprès des distributeurs Jøtul), puis insérer correctement le joint sans tirer dessus. La colle sèche rapidement.

6.5 Entretien de la surface externe

La couleur des produits peints peut se ternir après plusieurs années d'utilisation. Avant d'appliquer une nouvelle couche de peinture, brosser et laver la surface peinte pour en éliminer toutes les particules.

Nettoyer les produits émaillés à l'aide d'un chiffon sec uniquement. Ne pas utiliser de savon ni d'eau. Éliminer les tâches à l'aide d'un nettoyant liquide (non agressif).

FRANCAIS

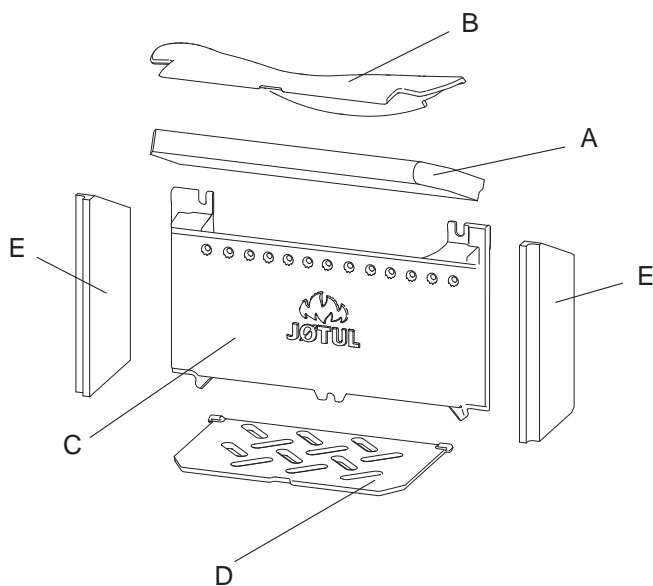
7.0 Entretien

Avertissement ! Toute modification non autorisée du produit est interdite ! Utilisez uniquement des pièces détachées d'origine !

7.1 Entretien/remplacement de pièces du poêle

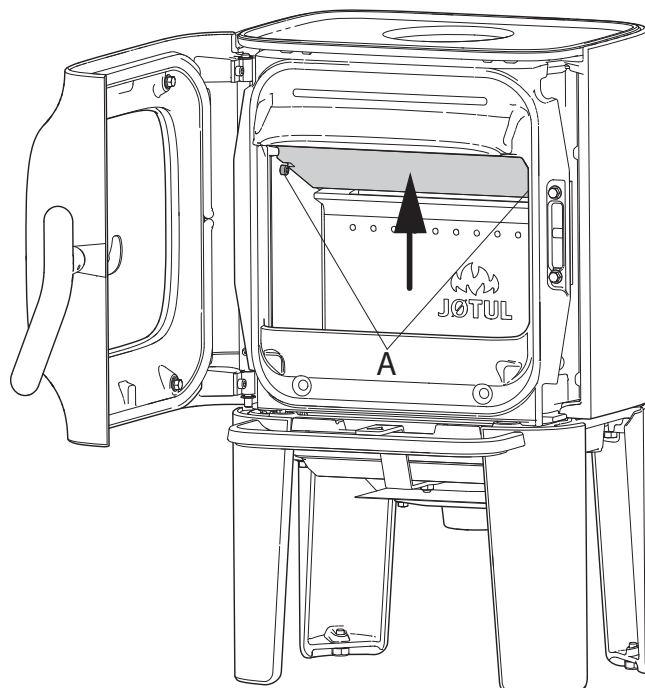
Remarque : Utilisez les outils avec précaution ! Les plaques de vermiculite sont fragiles et pourraient être endommagées si elles étaient manipulées sans précaution.

Fig. 28



1. **Défecteur inférieur:** Saisir le bord avant du déflecteur (A) de haut en bas et le tourner pour l'extraire du poêle.
2. **Défecteur supérieur :** Saisir le bord avant du déflecteur de fumée (B) de haut en bas et le tourner pour l'extraire du poêle.
3. Soulevez **la grille à cendres (D)** dans la fente du milieu à l'avant puis soulevez et dégagez le cendrier du poêle.
4. Retirez les trois vis de fixation de **la plaque de doublage arrière (C)**. Soulevez l'un des côtés et le tourner pour l'extraire du poêle.

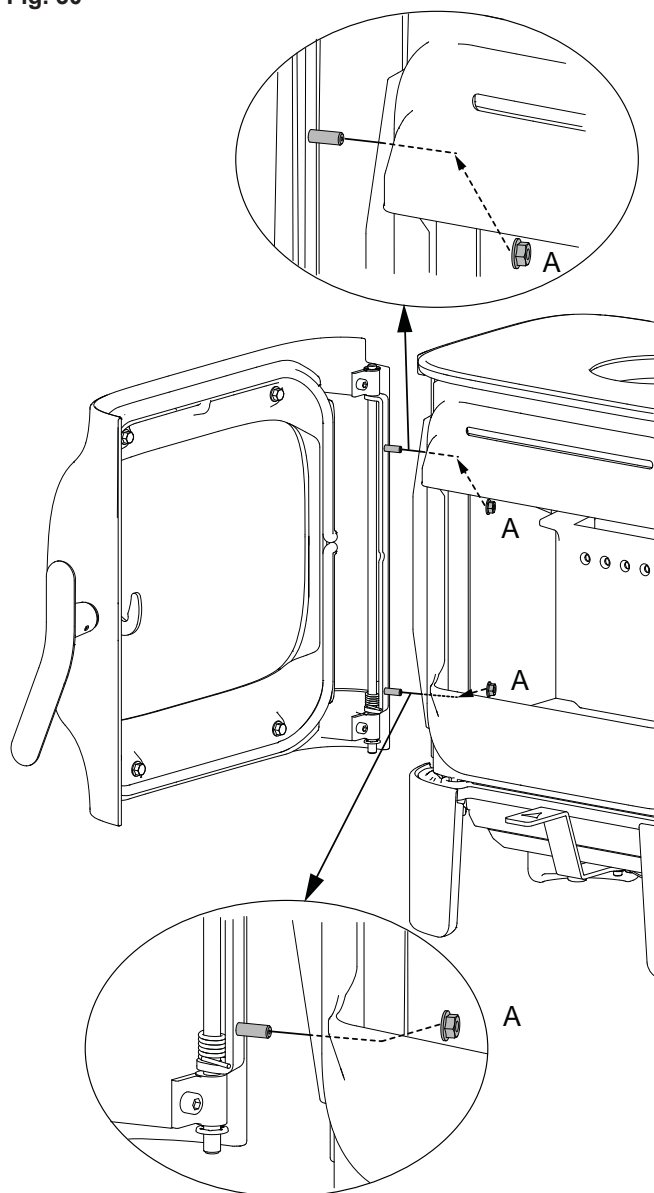
Fig. 29



1. Retirez le déflecteur (A) en le soulevant par le bord arrière, puis le tourner pour le sortir du poêle.

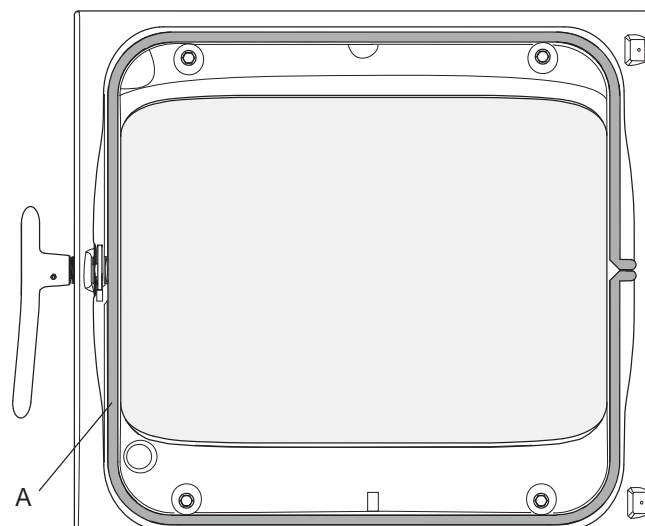
7.2 Remplacement de la vitre et des joints de la porte

Fig. 30



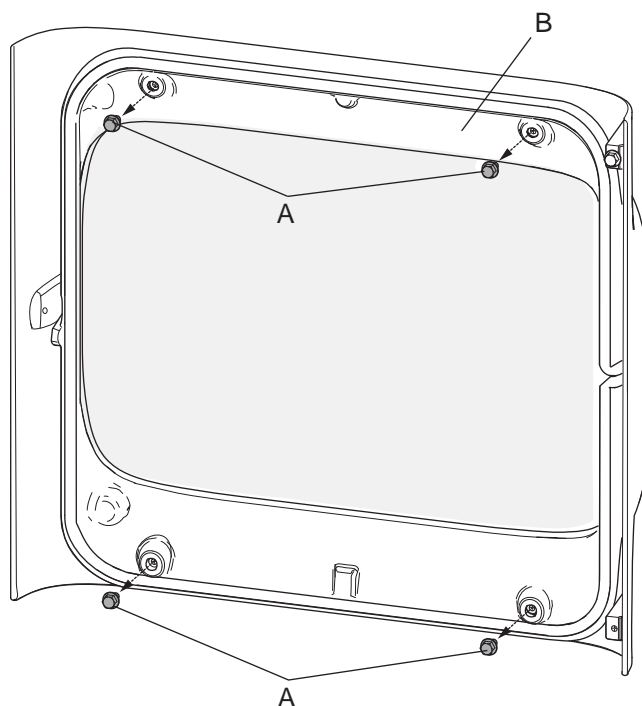
1. Dévissez les écrous (A) et décrochez la porte. Posez-la soigneusement sur la boîte en carton.

Fig. 31



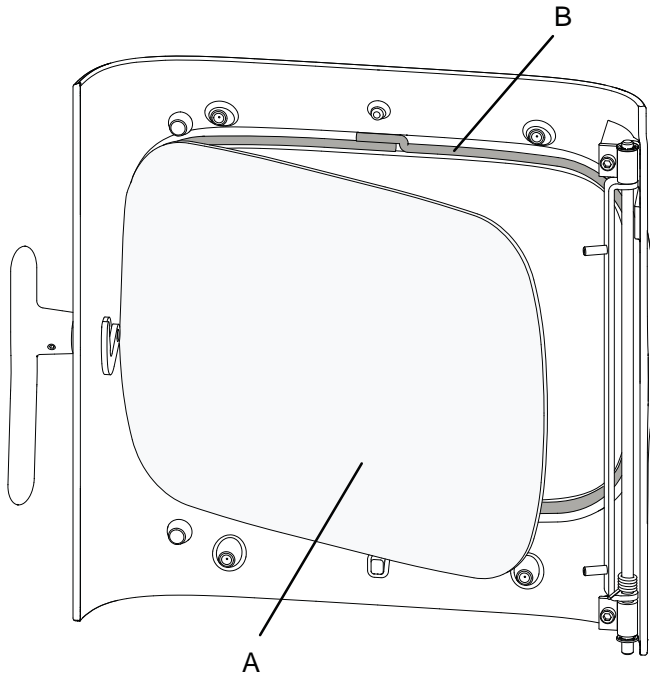
1. Retirer le joint (A) placé sur le côté intérieur de la porte, nettoyer la rainure du joint et coller un joint neuf.

Fig. 32



2. Si un joint de vitre ou une vitre doivent être remplacés, retirer d'abord la poignée de porte.
3. Dévisser le maintien de vitre (B) maintenu à l'aide de 4 vis (A). Remarque : La vitre n'est pas tenue dans la porte. Veiller à ne pas échapper la vitre lorsque le support de vitre est desserré.

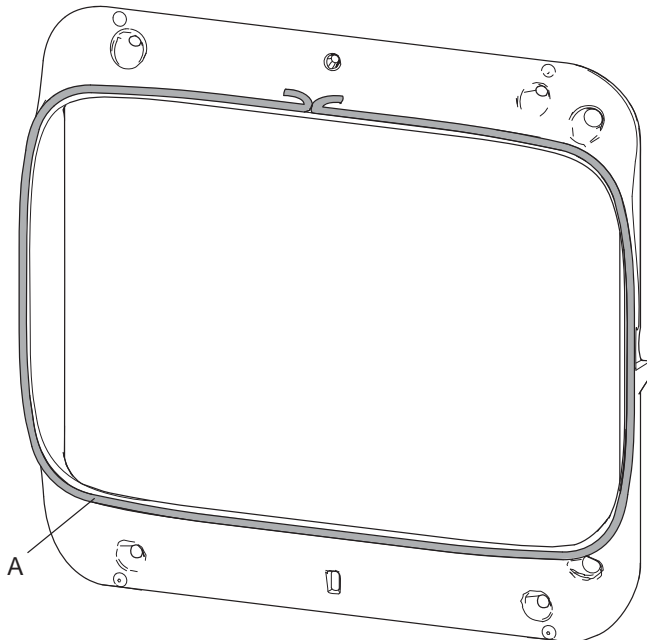
Fig. 33



4. Retirer la vitre (A) délicatement. Retirer les joints (B) et nettoyer les rainures des joints.
5. Coller de nouveaux joints.

Maintien de vitre

Fig. 35



6. Retirer le joint usagé (A) et nettoyer les rainures. Coller un nouveau joint.
7. Remonter toutes les parties, une fois tous les joints usagés ont été remplacés.

8.0 Équipements disponibles en option

8.1 Raccordement prise d'air extérieur

Raccordement prise d'air extérieur, Ø 80 mm -
Réf. cat. 51047509.

8.3. Dessus en pierre ollaire

Réf. cat. 51049066

8.4 Bevette pour pieds

BP - Réf. cat. 51049065
WHE - Réf. cat. 51049516

8.5 Poignée du cendrier

BP - Réf. cat. 51049070

9.0 Recyclage

9.1 Recyclage de l'emballage

- Votre poêle est livré avec les emballages suivants :
- Une palette en bois qui peut être sciée et brûlée dans le poêle.
- Des emballages en carton qui doivent être déposés dans une station de recyclage près de chez vous.
- Des sacs en plastique qui doivent être déposés dans une station de recyclage près de chez vous.

9.2 Recyclage du poêle

Le poêle est composé :

- d'éléments métalliques qui doivent être déposés dans une station de recyclage près de chez vous.
- de verre qui doit être éliminé comme des déchets dangereux. Le verre dans le poêle ne doit pas être placé dans un conteneur de séparation à la source standard.
- de panneaux en vermiculite qui peuvent être déposés dans des conteneurs de déchets classiques.

10.0 Conditions de Garantie

Depuis 1853, Jøtul est un fabricant renommé de poêles et de cheminées alliant une haute qualité à une longue durée de vie. La qualité hors pair de nos produits nous permet d'offrir à nos clients une extension de garantie, et ce, sans frais supplémentaires. Félicitations pour l'achat de votre nouvelle cheminée Jøtul !

1. Couverture de la garantie :

Jøtul AS garantit que les pièces externes en fonte sont exemptes de défauts de matériaux ou de fabrication au moment de l'achat. Vous pouvez étendre la garantie sur les pièces externes en fonte jusqu'à 25 ans à partir de la date de livraison, en enregistrant le produit sur jotul.com et en imprimant la carte d'extension de garantie dans les trois mois qui suivent l'achat. Nous vous recommandons de conserver cette carte de garantie avec votre reçu. Jøtul AS garantit également que les pièces en acier sont exemptes de défauts de matériaux ou de fabrication au moment de l'achat, pour une période de 5 ans à compter de la date de livraison.

La garantie s'applique à condition que le poêle ait été installé par un professionnel agréé, conformément aux lois et règlements en vigueur et en conformité avec les instructions d'installation et d'utilisation de Jøtul. Les produits réparés et les articles de remplacement sont garantis pendant toute la période de garantie initiale.

2. La garantie ne couvre pas :

- 2.1. les consommables (plaques de doublage, grilles de foyer, déflecteurs d'évacuation, joints, etc.), car ces éléments s'usent avec le temps lors d'une utilisation normale ;
- 2.2. les dommages résultant d'un entretien inapproprié, d'une surchauffe ou de l'utilisation d'un combustible inapproprié (par exemple, du bois flottant, du bois imprégné, des résidus de coupe, du bois aggloméré) ou de bois trop humide ;
- 2.3. l'installation d'options visant à rectifier le tirage, l'arrivée d'air ou d'autres circonstances qui échappent au contrôle de Jøtul ;
- 2.4. les cas impliquant des altérations/modifications du produit sans l'autorisation de Jøtul ou l'utilisation de pièces qui ne sont pas d'origine ;
- 2.5. les dommages causés lors du stockage chez un distributeur, lors du transport depuis les locaux du distributeur ou pendant l'installation ;
- 2.6. les produits vendus par des vendeurs non autorisés dans les régions où Jøtul exploite un réseau de distribution sélectif ;
- 2.7. les coûts associés (par exemple, les coûts de transport, de main-d'œuvre, de voyage) ou les dommages indirects.

Les problèmes liés aux poêles à granulés, au verre, à la pierre, au béton, à l'émail et à la peinture de finition (par exemple, écaillage, fissures, boursoufflements ou décoloration et craquelures) sont soumis à la législation nationale régissant la vente de biens de consommation. Cette garantie est valable pour tous les achats effectués sur le territoire de l'Espace économique européen. Toutes les demandes de garantie doivent être adressées à votre revendeur Jøtul agréé dans un délai raisonnable, qui ne doit pas dépasser 14 jours à compter de la date à laquelle le défaut ou le problème s'est manifesté. La liste des importateurs et des revendeurs est disponible sur notre site à l'adresse www.jotul.com.


Si Jøtul n'est pas en mesure d'honorer ses obligations détaillées dans les conditions de la garantie ci-dessus, un produit de remplacement affichant une capacité de chauffage équivalente sera fourni gratuitement.

Jøtul se réserve le droit de refuser tout remplacement de pièces ou service dans le cas où la garantie n'est pas enregistrée en ligne. Cette garantie n'affecte en rien les droits légaux des consommateurs au titre de la législation nationale en vigueur régissant la vente de biens de consommation. Les droits nationaux relatifs à toute réclamation s'appliquent à partir de la date d'achat et uniquement sur présentation d'une preuve d'achat ou du numéro de série de l'équipement.

Índice

1.0	Datos técnicos	50
2.0	Relación con las autoridades	50
3.0	Seguridad	51
4.0	Instalación	59
5.0	Uso diario	67
6.0	Mantenimiento.....	68
7.0	Servicio	69
8.0	Complementos opcionales	72
9.0	Reciclaje.....	72
10.0	Garantía	72

Registre su chimenea en jotul.com y disfrute 25 años de garantía.

Product: Jøtul Room heater fired by solid fuel 			
Standard Minimum distance to adjacent combustible materials Minimum distance to adjacent combustible materials Emission of CO in combustion products Flue gas temperature Nominal heat output Efficiency Operational range Fuel type Operational type The appliance can be used in a shared flue.			
Country	Classification	Certificate/standard	Approved by
Norway	Masse II		
Sweden	SPC	SP	SP Sveriges Provnings- och Forskningsinstitut AB
EUR	Intermittent	EN	EN Swedish National Testing and Research Institute
Follow user's instructions. Use only recommended fuels. Montage- und Bedienungsanleitung beachten. Verwenden Sie nur empfohlenen Brennstoffen. Respectez les consignes d'utilisation. Utilisez uniquement les combustibles recommandés.			
Lot no: Yxxxx, Year: 200x Manufacturer: Jøtul AS POB 1441 W-1602 Fredrikstad Norway			

Todos nuestros productos disponen de una etiqueta que indica su número de serie y año. Escriba este número en el lugar indicado para ello en las instrucciones de instalación.

Indique siempre este número cuando se ponga en contacto con su distribuidor o con Jøtul.

Lot no. Pin.

1.0 Relación con las autoridades

- La instalación de una estufa debe realizarse con arreglo a la normativa y legislación nacional. En la instalación de los productos deben cumplirse todas las disposiciones locales, incluidas aquellas referentes a las normas nacionales y europeas.
- La instalación deberá ser revisada por un inspector homologado antes de ponerse en servicio.
- Consulte a las autoridades locales en materia de construcción antes de instalar una nueva estufa.

2.0 Datos técnicos

Material:	Hierro colado
Acabado:	Pintura / esmalte
Salida de humo:	Superior, trasera
Tamaño del tubo de tiro:	Ø 125 mm
Conexión de aire exterior:	Ø 80 mm

Peso del producto:

Cámara de combustión con patas cortas:	94 kg
Cámara de combustión con patas largas:	97 kg
Cámara de combustión con base:	107 kg
Placa superior de esteatita:	14,5 kg
Extras opcionales:	bandeja recogeceniza para Jøtul F 105 LL y SL, placa de esteatita, conexión de aire exterior, asa de bandeja recogecenizas.

Tamaños de producto y distancias:

Ver Fig. 1

Especificaciones técnicas conforme a EN 13240

Potencia calorífica nominal:	4,5 kW
Volumen de humos:	4,2g/s
Tiro de la chimenea, EN 13240:	12 Pa
Presión negativa recomendada en la salida de humos:	14-16 Pa
Rendimiento:	83% a 5,2 kW
Emisiones de CO (13% O ₂):	0,09%
Emisiones de CO (13% O ₂):	1101 mg / Nm ³
Nox al 13% O ₂ :	99 mg/Nm ³
OGC al 13% O ₂ :	76 mg/Nm ³
Emisión de partículas NS 3059:	2,7 g / kg
Consumo de aire:	3,4 litre/sec o 12,2 m ³ /h
Temperatura de la chimenea, EN 13240:	231 °C
Temperatura en la salida de humos:	277 °C
Polvo:	<7 mg/Nm ³ al 13%O ₂

Tipo de combustible:	Madera
Longitud máx. de leña:	33 cm
Consumo de combustible:	1,51 kg/h
Consumo máx. de leña:	2,0 kg
Cantidad máx. de leña:	1,1 kg
Funcionamiento:	Intermitente

Combustión intermitente se refiere al uso normal de una estufa, es decir, añadida más combustible cuando el fuego haya quedado reducido a rescoldos.

3.0 Seguridad

N. B.: para garantizar un rendimiento y seguridad óptimos, Jøtul recomienda que sus estufas sean instaladas por un instalador cualificado (consulte la lista íntegra de distribuidores en www.jotul.com).

Cualquier modificación del producto por parte del distribuidor, instalador o usuario puede motivar que el producto y sus prestaciones de seguridad no funcionen del modo previsto. Esto también se aplica a la instalación de accesorios o extras opcionales suministrados por terceros. Lo mismo puede suceder si se desmontan o retiran componentes esenciales para el funcionamiento y la seguridad de la estufa.

En cualquier caso, el fabricante no se hará responsable del producto y el derecho a realizar una reclamación quedará anulado y sin validez.

Nota: Algunas partes de la estufa, sobre todo las superficies exteriores, se calientan durante el funcionamiento; extreme las precauciones.

3.1 Medidas de prevención de incendios

Existe un cierto elemento de riesgo cada vez que se usa la estufa. Por lo tanto, deben respetarse las siguientes instrucciones:

- Las distancias mínimas de seguridad al utilizar la estufa se muestran en la **fig. 1**. La distancia especificada a los materiales combustibles se aplica a este horno.
- El horno debe instalarse con tubos de humos con aprobación CE. La distancia entre el tubo de humos y materiales combustibles tiene también que considerarse
- Asegúrese de que no haya muebles ni otros elementos inflamables demasiado cerca de la estufa. Los elementos inflamables no deberían estar a menos de **900 mm** de la estufa.
- Deje que el fuego se consuma por sí solo. Nunca apague las llamas con agua.
- La estufa se calienta cuando está encendida y puede causar quemaduras si se toca.
- Saque las cenizas solo con la estufa fría. Las cenizas pueden contener rescoldos calientes y, por lo tanto, deberán ponerse en un recipiente no inflamable.
- Las cenizas deberán sacarse al exterior o vaciarse en un lugar donde no supongan un riesgo de incendio.

Si se produce un incendio en la chimenea

- Cierre todas las trampillas y los respiraderos.
- Cierre la puerta de la estufa.
- Compruebe si hay humo en el sótano y en la buhardilla.
- Llame a los bomberos.
- Después de producirse un incendio, un experto deberá comprobar la estufa y la chimenea antes de utilizarse para asegurar que funciona correctamente.

Chimenea de acero

Si utiliza una chimenea de acero de montaje en la parte superior, tendrá que instalar tubo sin aislar desde la cámara de combustión hasta aproximadamente 10 mm por encima de la rejilla superior. Asegúrese de que la junta quede bien colocada entre el tubo de humos y la salida de humos. A continuación monte la chimenea de acero de acuerdo con las instrucciones del fabricante.

3.2 Suelo

Anclaje, base

Debe verificar que la base se adecue a la instalación de una estufa. Compruebe el peso especificado en «**2.0 Especificaciones técnicas**».

Se recomienda retirar el revestimiento del suelo que no vaya fijado a la superficie correspondiente («suelos flotantes»).

Jøtul F 105 SL (patas cortas)

La estufa Jøtul F 105 SL solo se puede instalar sobre suelos en los que tanto el revestimiento como la base sean de materiales no inflamables. Lo mismo debe aplicarse si el producto descansa directamente sobre una plancha de suelo.

Nota: La zona no inflamable delante de la estufa debe extenderse hasta **500 mm** como mínimo.

Nota: Recomendamos no instalar calefacción por suelo radiante (ni de agua ni eléctrica) en esa zona.

Requisitos para la protección de tarimas de madera bajo la estufa

La función de la plancha de suelo es proteger el suelo y los materiales inflamables de la posible caída de brasas. **El producto con patas** deben tener una placa de protección debajo y adelante en concordancia con las regulaciones nacionales.

¡Atención! El espacio libre debajo del producto con patas debe mantenerse libre.

Si el suelo de debajo de la estufa está revestido de un material combustible, como linóleo, alfombras, etc, recomendamos retirarlo.

Requisitos para la protección de suelos inflamables delante de la estufa

La placa delantera/la placa de piso debe ajustarse a las leyes y normas nacionales. Consulte a las autoridades locales en materia de construcción sobre posibles restricciones y requisitos de instalación.

3.3 Paredes

Distancia a paredes hechas de material combustible: ver la **fig. 1**.

Distancia mínima a una pared de material combustible protegida con cortafuegos: ver la **fig. 1**.

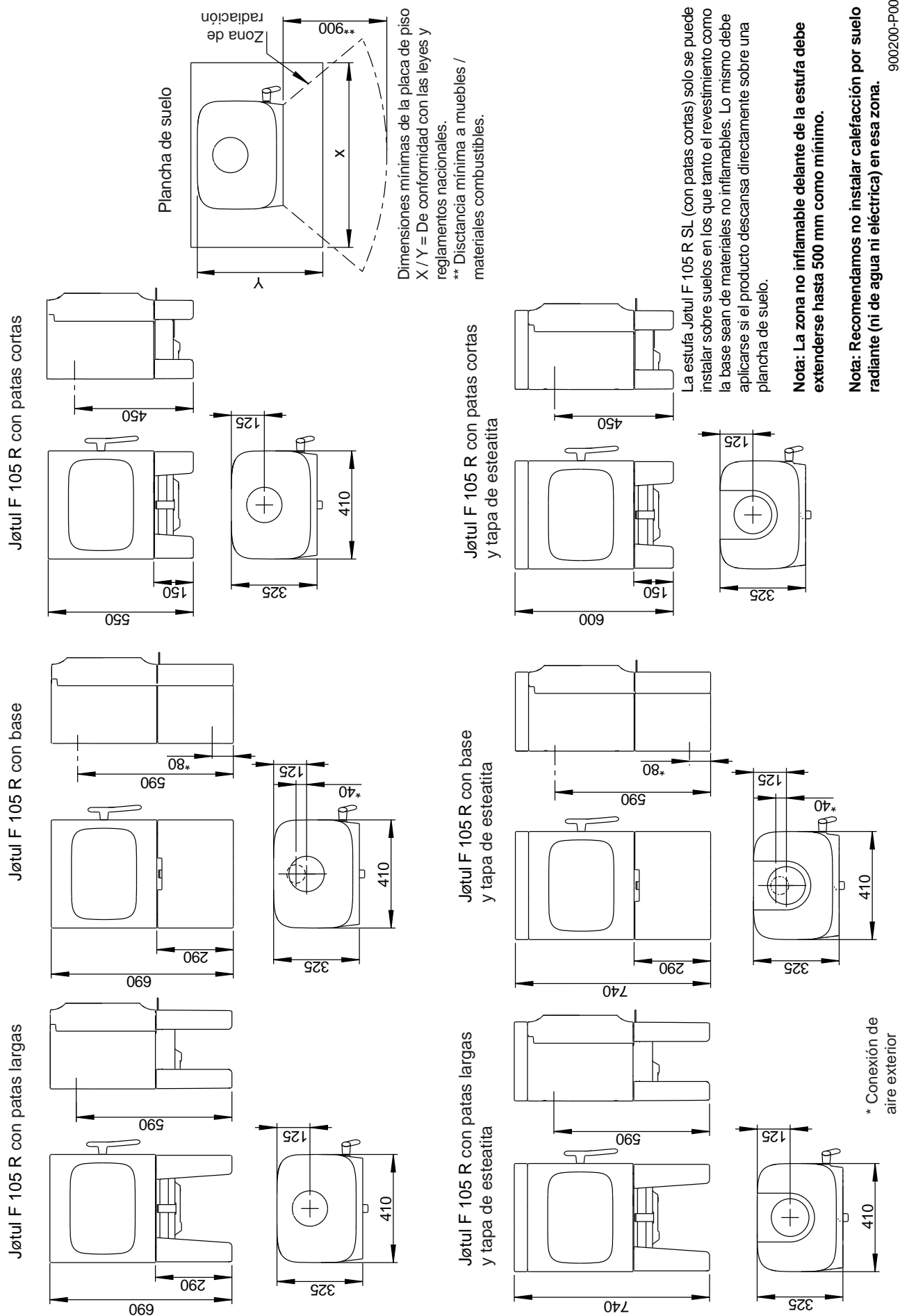
La estufa puede usarse con un tubo de tiro sin aislar siempre que las distancias entre la misma y las paredes hechas de materiales combustibles sean como las mostradas en la **fig. 1**.

Nota: Coloque la estufa de modo que sea posible limpiar la propia estufa, el tubo de humos y la chimenea.

Nota: Asegúrese de que los muebles y otros enseres estén a una distancia de la estufa que evite que se sequen con el calor.

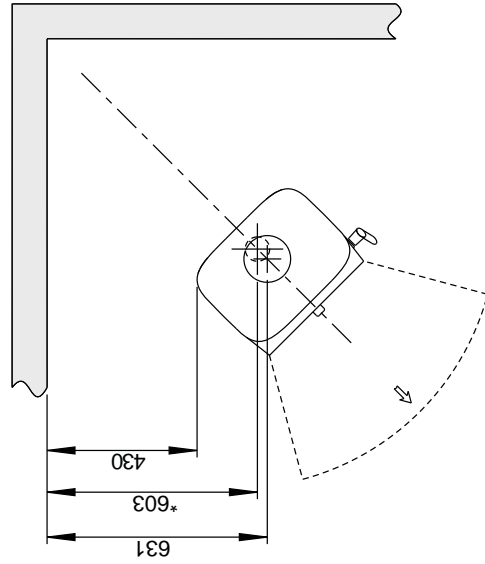
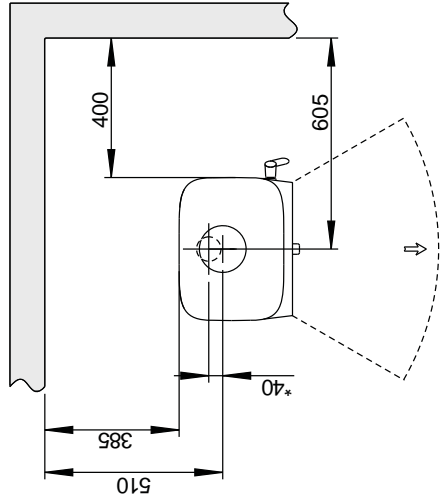
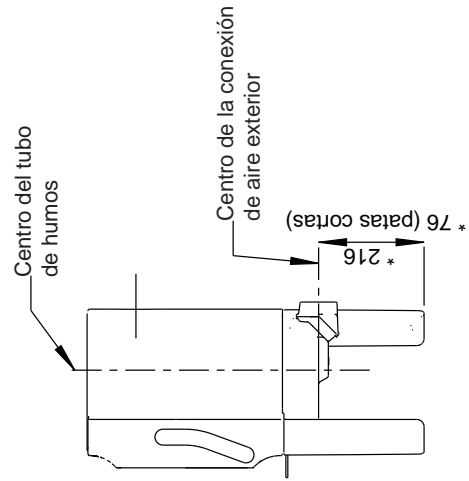
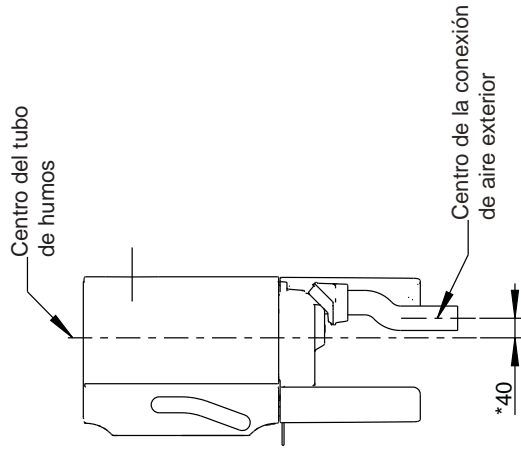
Jøtul F 105 R

Fig. 1 a



Jøtul F 105 R Distancia mínima a pared de material combustible

Pared de material combustible

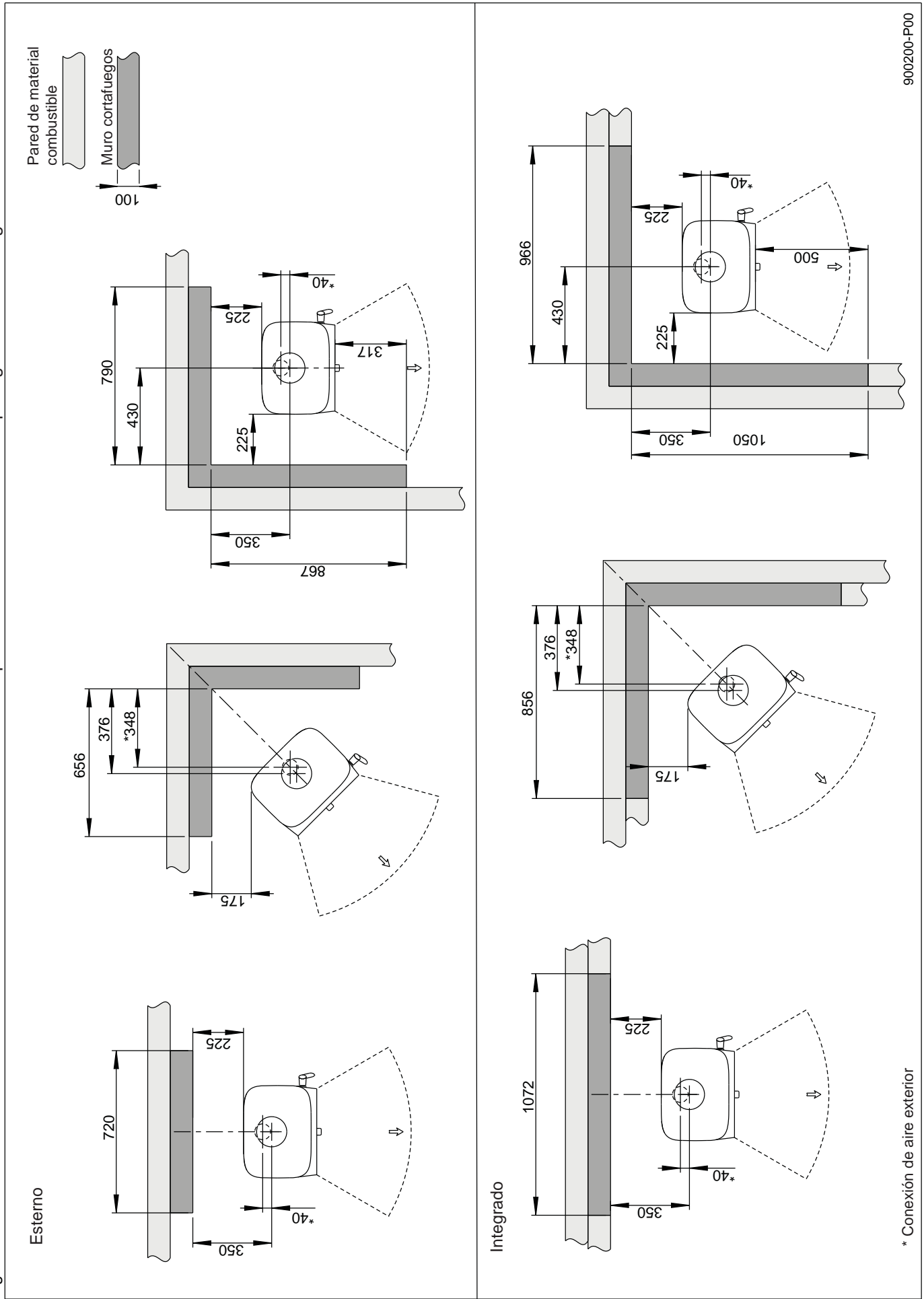


* Conexión de aire exterior

*** Distancia a pared inflamable con tubo de humos semiaislado o con pantalla térmica.

Jøtul F 105 R Distancia mínima a una pared de material combustible protegida con cortafuegos

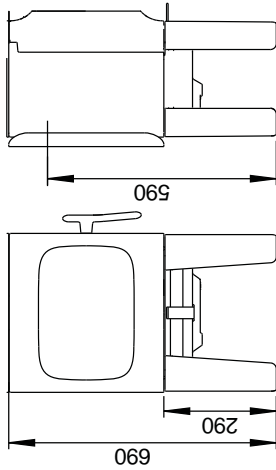
Fig. 1 c



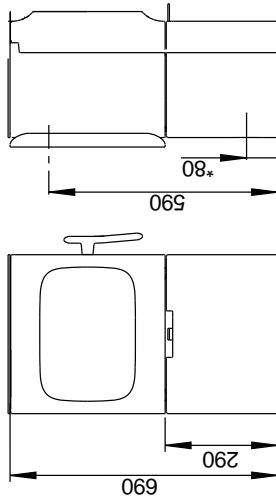
Jøtul F 105

Fig. 1 d

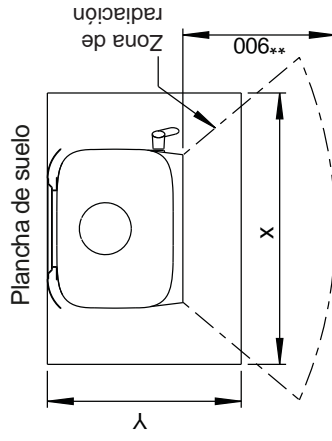
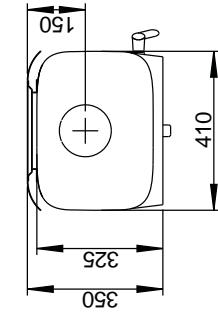
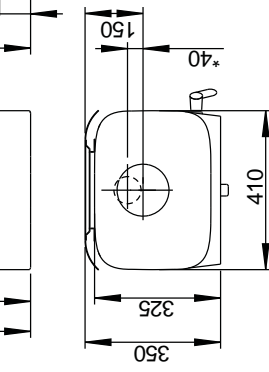
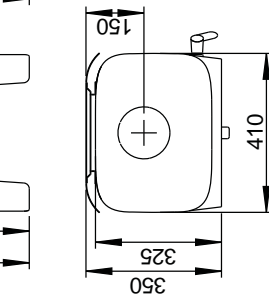
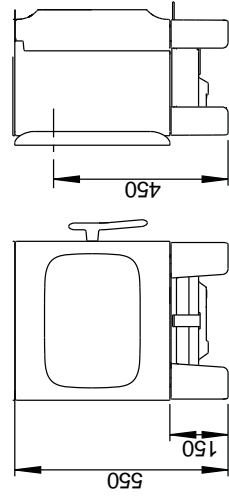
Jøtul F 105 con patas largas



Jøtul F 105 con base



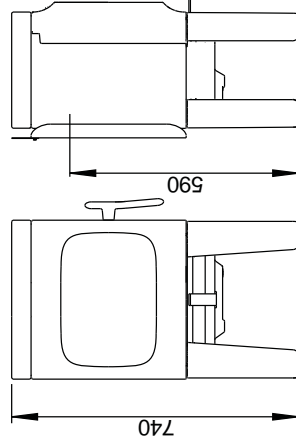
Jøtul F 105 con patas cortas



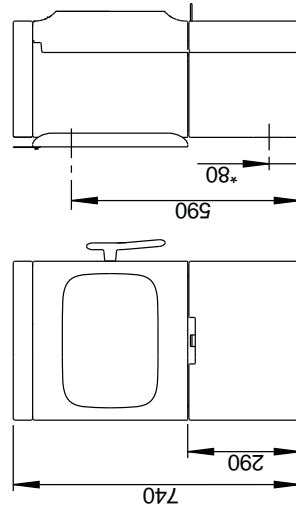
Dimensiones mínimas de la placa de piso
X / Y = De conformidad con las leyes y
reglamentos nacionales.

** Distancia mínima a muebles /
materiales combustibles.

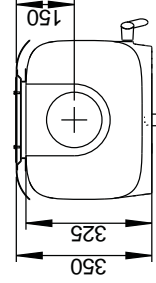
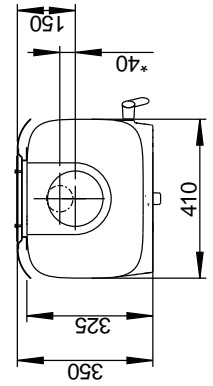
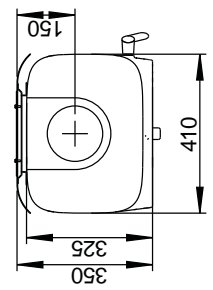
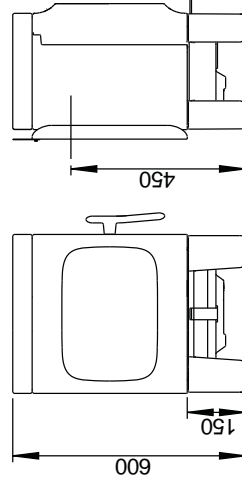
Jøtul F 105 con patas largas
y tapa de esteatita



Jøtul F 105 con base
y tapa de esteatita



Jøtul F 105 con patas cortas
y tapa de esteatita



La estufa Jøtul F 105 SL (con patas cortas) solo se puede
instalar sobre suelos en los que tanto el revestimiento como
la base sean de materiales no inflamables. Lo mismo debe
aplicarse si el producto descansa directamente sobre una
plancha de suelo.

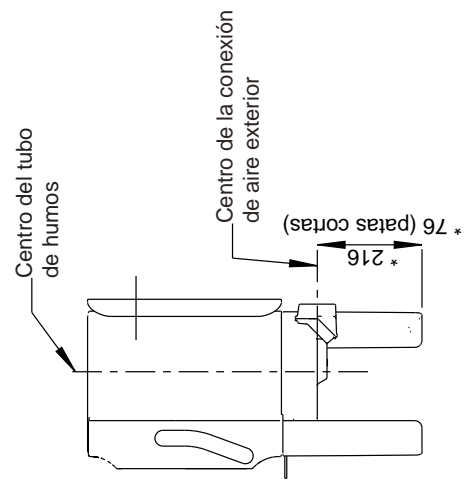
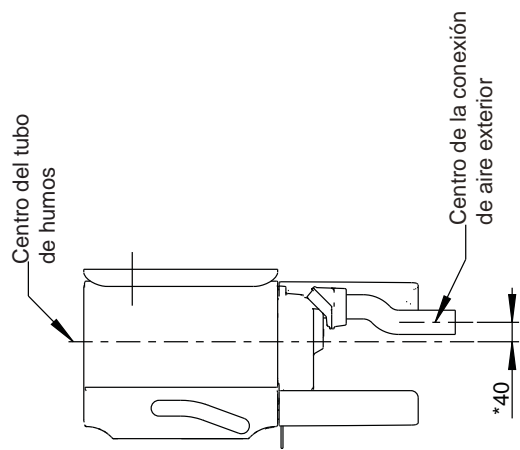
**Nota: La zona no inflamable delante de la estufa debe
extenderse hasta 500 mm como mínimo.**

**Nota: Recomendamos no instalar calefacción por suelo
radiante (ni de agua ni eléctrica) en esa zona.**

* Conexión de
aire exterior

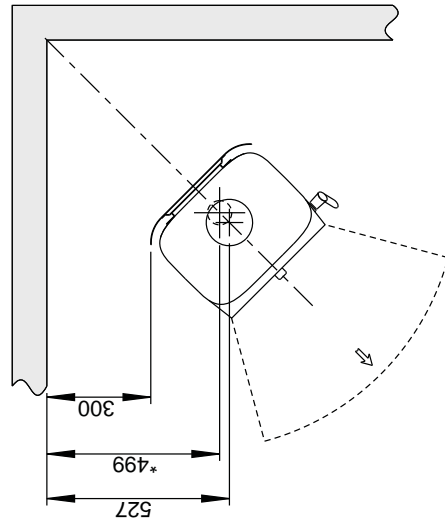
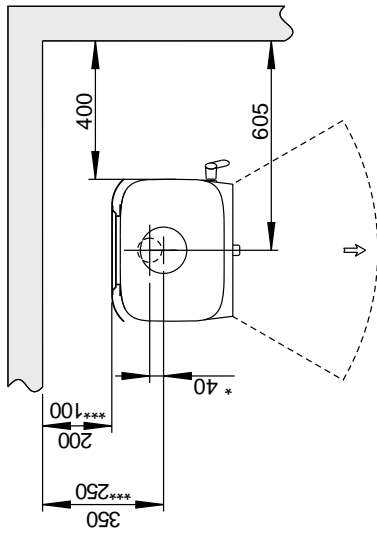
Jøtul F 105 Distancia mínima a pared de material combustible

Fig. 1 e



Pared de material combustible

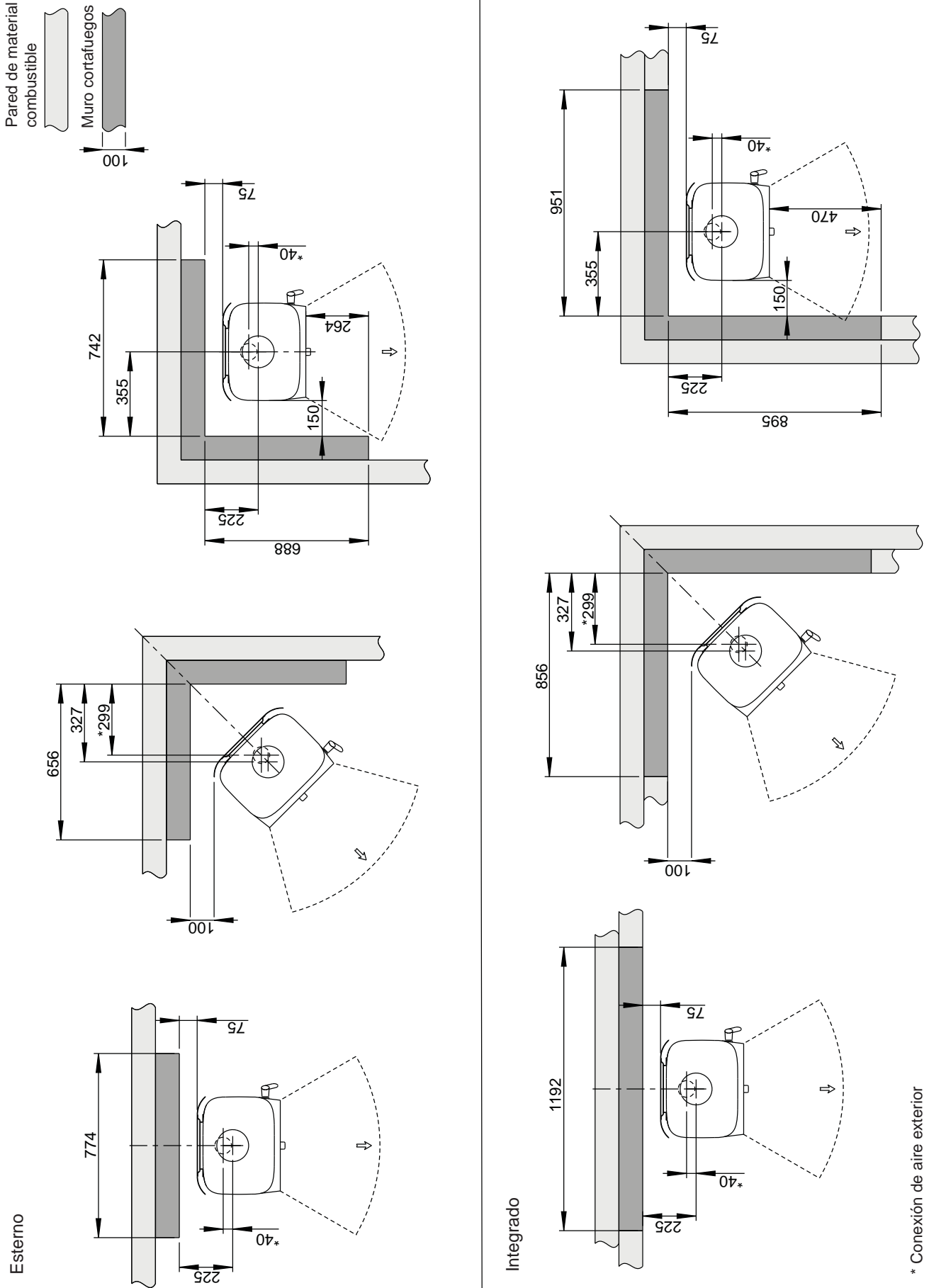
Med standard konveksjonsplate



* Conexión de aire exterior

*** Distancia a pared inflamable con tubo de humos semiaislado o con pantalla térmica (mínimo 30 mm aislamiento).

Fig. 1 f Jøtul F 105 Distancia mínima a una pared de material combustible protegida con cortafuegos



Entrada de aire exterior

En las viviendas bien aisladas, es necesario contar con una buena renovación del aire de combustión. Este punto es particularmente importante en las casas con ventilación mecánica. El aire de renovación se puede obtener de varias maneras. Lo más importante es que la estancia en la que se encuentre la estufa reciba un suministro de aire adecuado. Coloque el regulador de entrada de aire exterior tan cerca de la estufa como sea posible y asegúrese de mantenerlo cerrado cuando la estufa esté apagada.

Respete la normativa nacional y local al instalar la conexión de aire exterior.

Sistema de combustión cerrada

Si la vivienda es de reciente construcción y cuenta con buenos cerramientos, utilice el sistema de combustión cerrada de la estufa. Conecte la entrada de aire de combustión exterior mediante un tubo de ventilación que entre por la fachada o el suelo.

Suministro de aire

El volumen de aire de combustión para los productos de Jøtul es de aproximadamente 20-40 m³/h.

La conexión de aire exterior se puede conectar directamente a la Jøtul F 105 por:

- a parte inferior
- a través de un tubo flexible desde el exterior/chimenea (solo si la chimenea tiene su propio conducto para aire externo) y al conector de aire externo del producto.

Fig. 2A, a través de una pared exterior

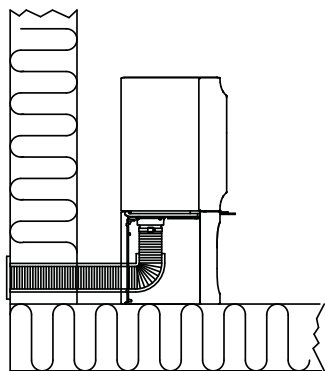


Fig. 2B, a través de la placa de piso y el suelo

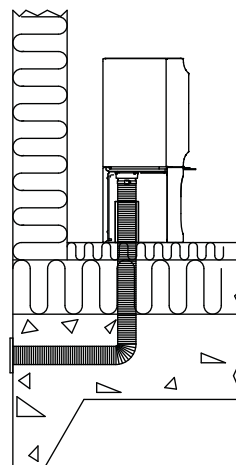


Fig. 2C, a través del suelo y el zócalo

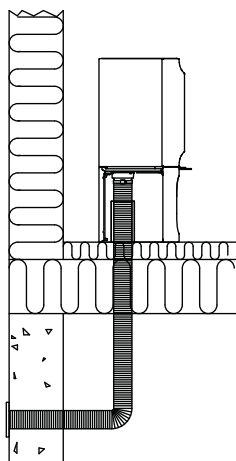
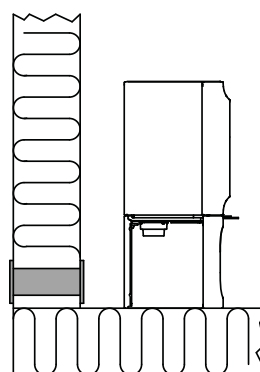


Fig. 2D, indirectamente a través de una pared exterior



4.0 Instalación

Nota: Compruebe que la estufa esté intacta antes de iniciar la instalación.

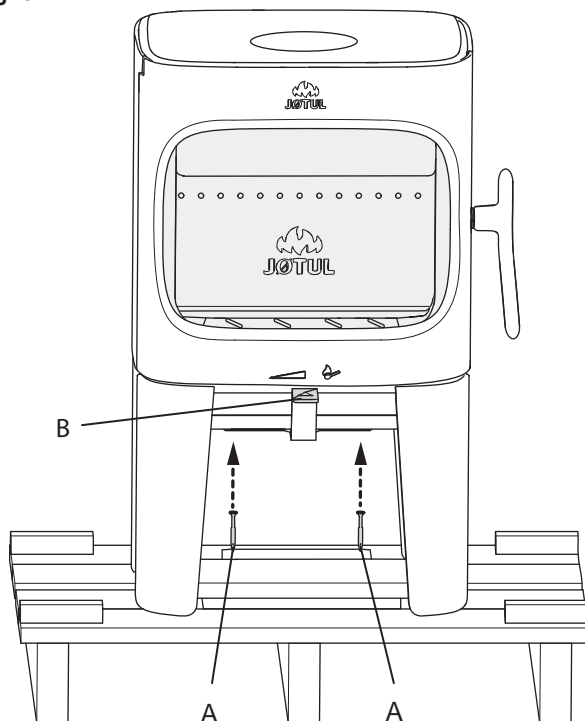
Nota: ¡Atención! El producto es pesado. Utilice ayuda para situar e instalar el producto. La cámara de combustión es pesada. Asegúrese de que el producto no vuelque.

Nota: No ponga nada sobre la tapa de la estufa; el acabado de pintura o esmalte podría sufrir daños permanentes.

Nota: Lea detenidamente las Instrucciones de instalación y funcionamiento antes de instalar la estufa.

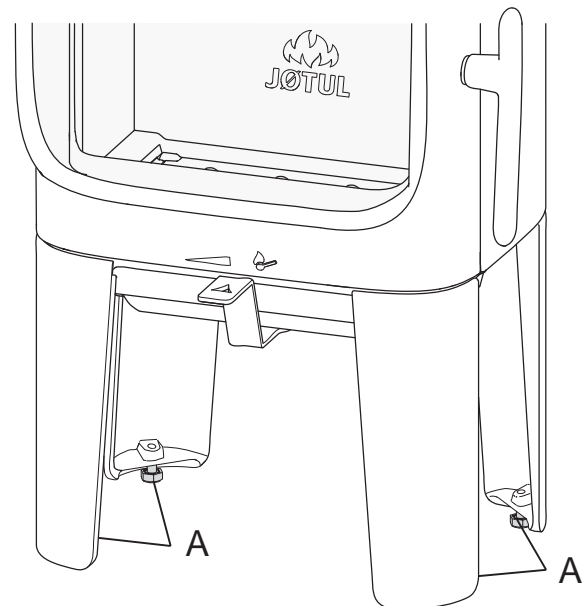
4.1 Antes de la instalación - Jøtul F 105 con patas largas

Fig. 3



1. Quite los dos tornillos de transporte (A) que sujetan la estufa al palé de madera.
2. No baje de momento la estufa del palé.
3. Saque los guantes, la bolsa de tornillos, el conector para aire exterior y el adaptador de la cámara de combustión.
4. Compruebe que el mando de regulación (B) se mueva sin problemas.

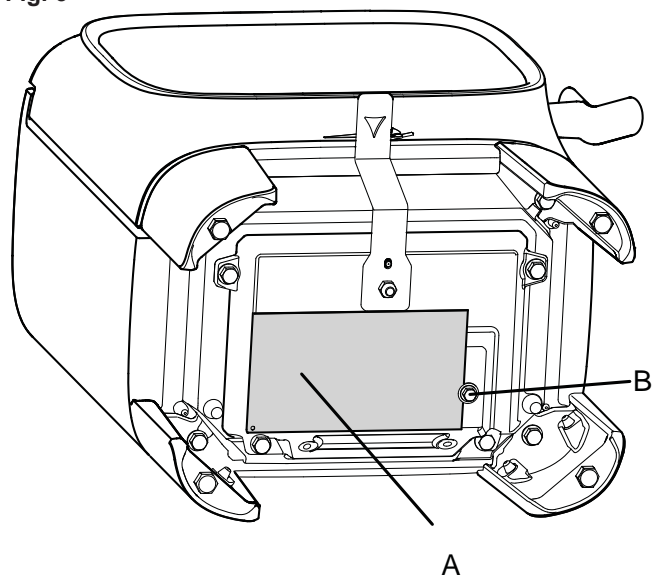
Fig. 4



5. Monte los tornillos de ajuste de la altura con tapa de plástico que encontrará en la bolsa de tornillos.
6. Baje la estufa del palé.
7. Coloque la estufa y nivélela con ayuda de los 4 tornillos de ajuste de la altura. Si el tubo de humos y la entrada de aire exterior van a ir en la parte posterior de la estufa, haga en la pared las marcas correspondientes. **NOTA:** Tenga en cuenta la altura de la plancha de suelo.

Chapa de homologación

Fig. 5



1. Saque la chapa de homologación (A) de la cámara de combustión y sujétela con el tornillo (B) como se muestra. Apriete el tornillo con una llave de vaso adecuada. Nota: No corte el alambre utilizado para sujetar la chapa.

ESPAÑOL

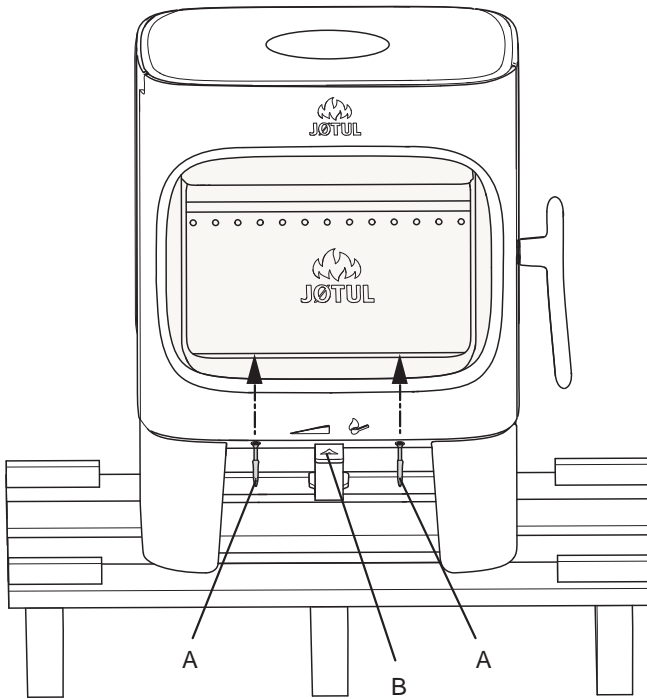
4.2 Antes de la instalación - Jøtul F 105 SL con patas cortas

La estufa Jøtul F 105 SL (con patas cortas) solo se puede instalar sobre suelos en los que tanto el revestimiento como la base sean de materiales no inflamables. Lo mismo debe aplicarse si el producto descansa directamente sobre una plancha de suelo.

Nota: La zona no inflamable delante de la estufa debe extenderse hasta 500 mm como mínimo.

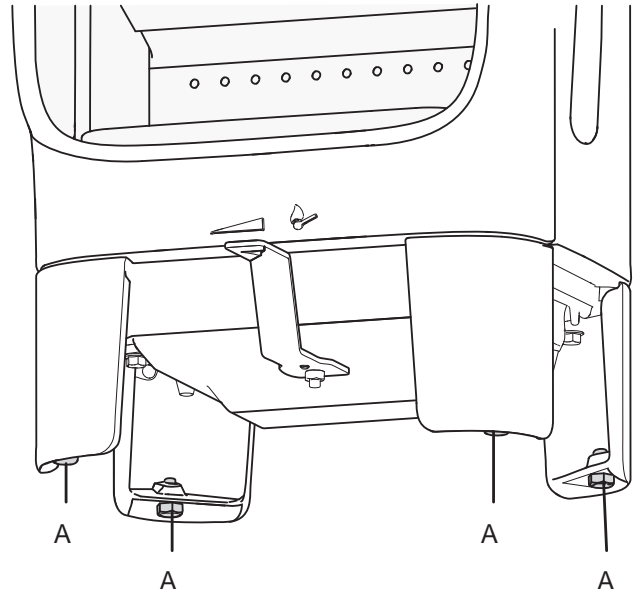
Nota: Recomendamos no instalar calefacción por suelo radiante (ni de agua ni eléctrica) en esa zona.

Fig. 6



1. Quite los dos tornillos de transporte (A) que sujetan la estufa al palé de madera.
2. No baje de momento la estufa del palé.
3. Saque los guantes, la placa deflectora, la bolsa de tornillos, el conector para aire exterior y el adaptador de la cámara de combustión.
4. Compruebe que el mando de regulación (B) se mueva sin problemas

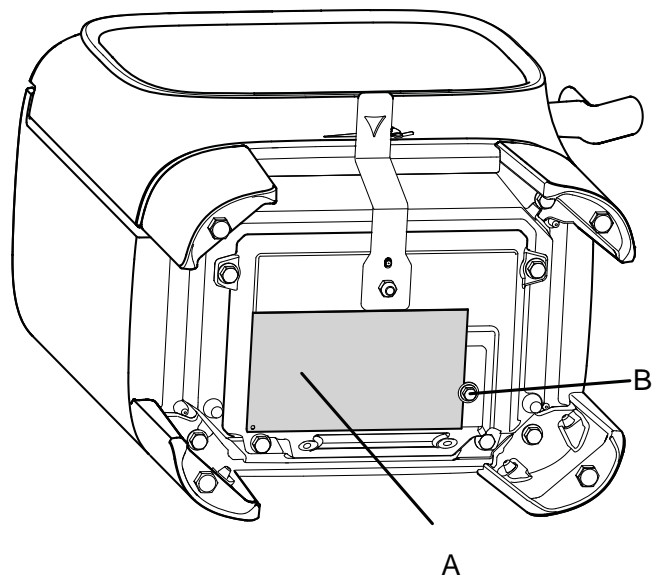
Fig. 7



5. Monte los tornillos de ajuste de la altura con tapa de plástico que encontrará en la bolsa de tornillos.
6. Baje la estufa del palé.
7. Coloque la estufa y nivélela con ayuda de los 4 tornillos de ajuste de la altura. Si el tubo de humos y la entrada de aire exterior van a ir en la parte posterior de la estufa, haga en la pared las marcas correspondientes. **NOTA:** Tenga en cuenta la altura de la plancha de suelo.

Chapa de homologación

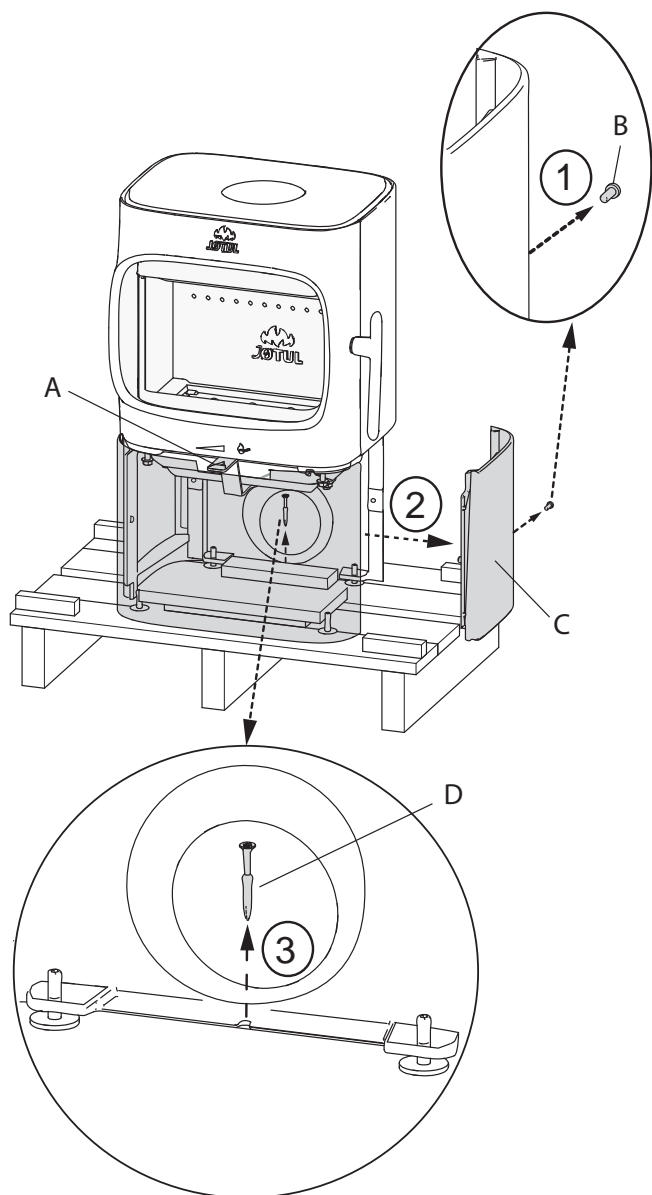
Fig. 8



1. Saque la chapa de homologación (A) de la cámara de combustión y sujétela con el tornillo (B) como se muestra. Apriete el tornillo con una llave de vaso adecuada. Nota: No corte el alambre utilizado para sujetar la chapa.

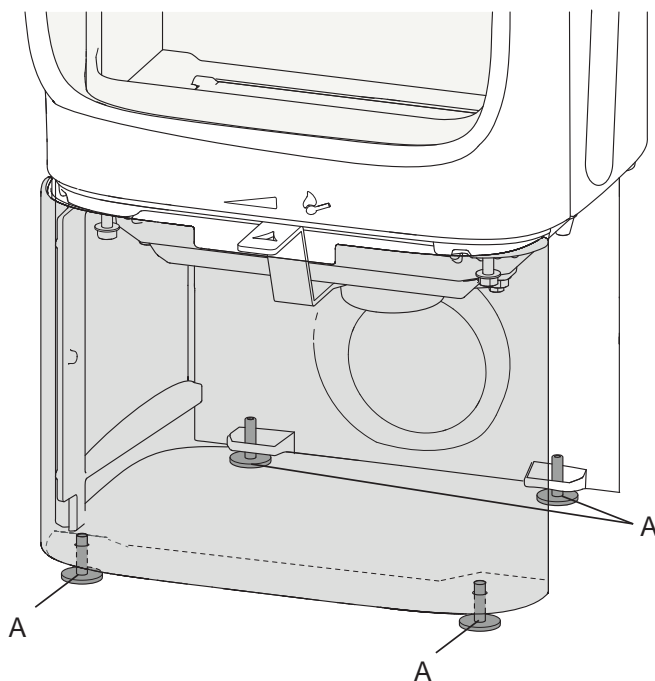
4.3 Preparativos para instalar la Jøtul F 105 con base

Fig. 9



1. Saque los guantes, la placa deflectora, la bolsa de tornillos, el conector para aire exterior y el adaptador de la cámara de combustión.
 1. Quite el tornillo que hay en el centro del borde trasero de la placa lateral.
 2. Quite la placa lateral (C).
 3. Quite el tornillo de transporte (D) que sujeta la estufa al palé de madera.
2. Compruebe que el mando de regulación (A) se mueva sin problemas.
3. Baje la estufa del palé y póngala en el lugar de instalación (consulte la fig. 1).

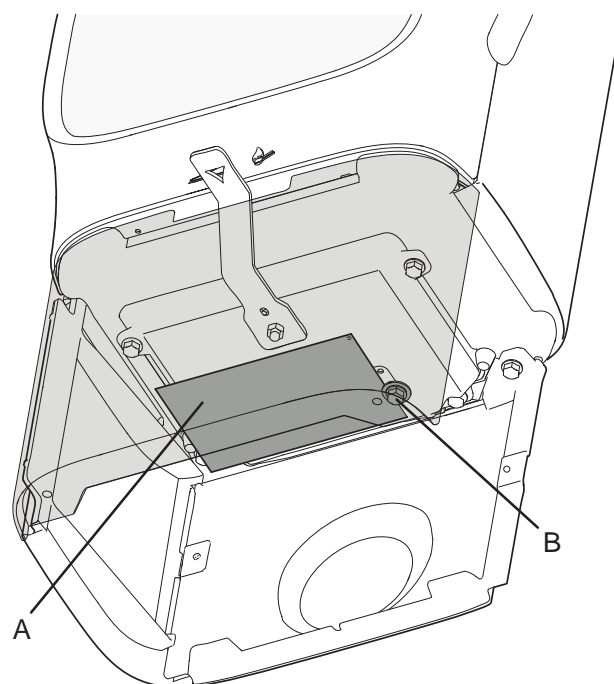
Fig. 10



4. Monte los tornillos de ajuste de la altura con tapa de plástico que encontrará en la bolsa de tornillos.
5. Baje la estufa del palé.
6. Coloque la estufa y nivélela con ayuda de los 4 tornillos de ajuste de la altura. Use la llave hexagonal que encontrará en la bolsa de tornillos. Si el tubo de humos y la entrada de aire exterior van a ir en la parte posterior de la estufa, haga en la pared las marcas correspondientes. **NOTA: Tenga en cuenta la altura de la plancha de suelo.**

Chapa de homologación

Fig. 11

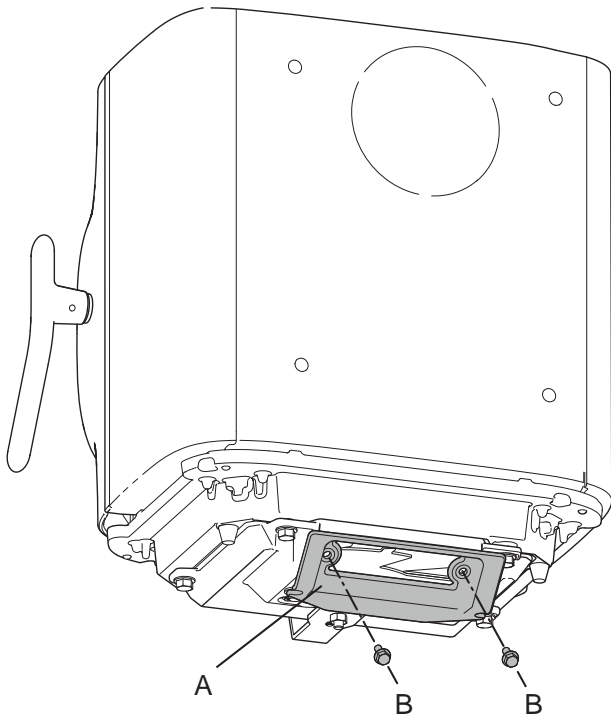


1. Saque la chapa de homologación (A) de la cámara de combustión y sujétela con el tornillo (B) como se muestra. Apriete el tornillo con una llave de vaso adecuada. Nota: No corte el alambre utilizado para sujetar la chapa.

ESPAÑOL

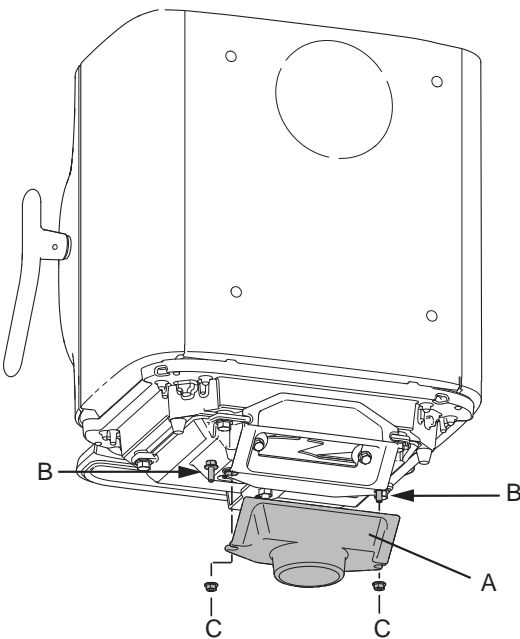
Entrada de aire exterior por el suelo

Fig. 12



1. Sujete el adaptador (A) a la parte inferior de la cámara de combustión con los tornillos suministrados (B) (Pre-montado en Jøtul F 105 B).

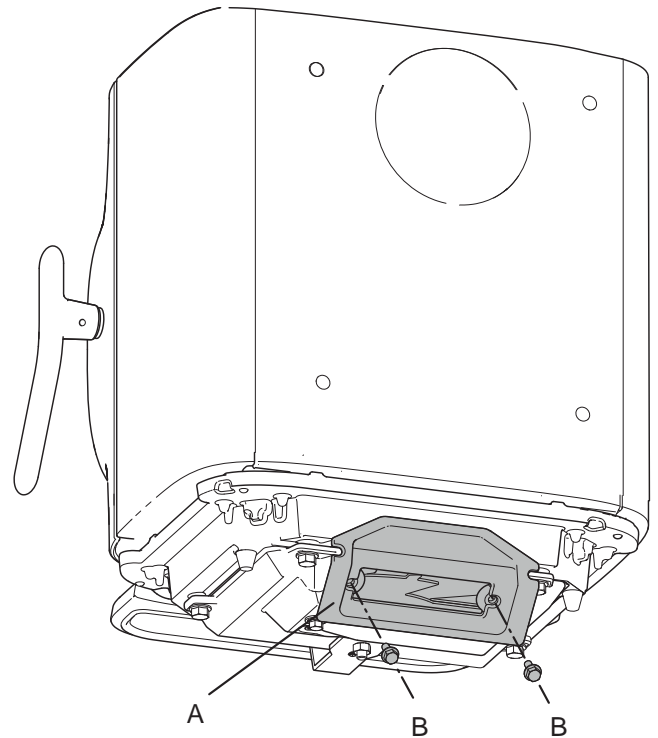
Fig. 13



2. Sujete el conector para aire exterior (A) al adaptador insertándolo en los dos tornillos (B) por las muescas previstas para ello y apretando las tuercas (C).

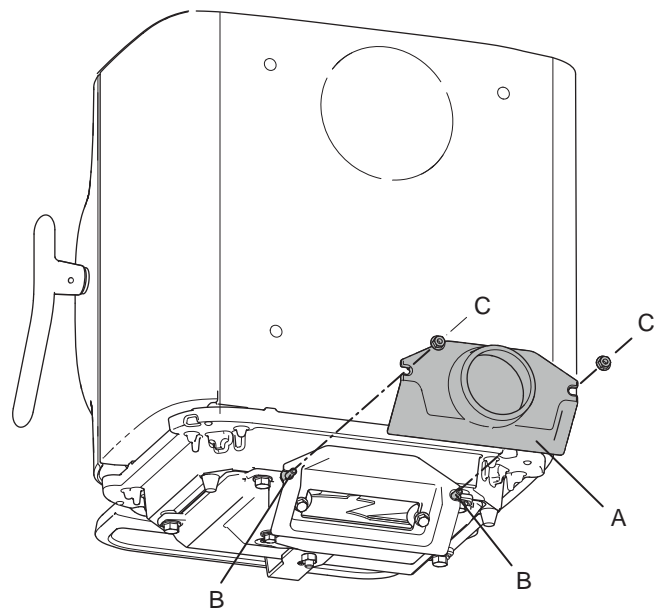
Entrada de aire exterior por la parte posterior

Fig. 14



1. Sujete el adaptador (A) a la cámara de combustión con los dos tornillos suministrados (B) (Pre-montado en Jøtul F 105 B).

Fig. 15

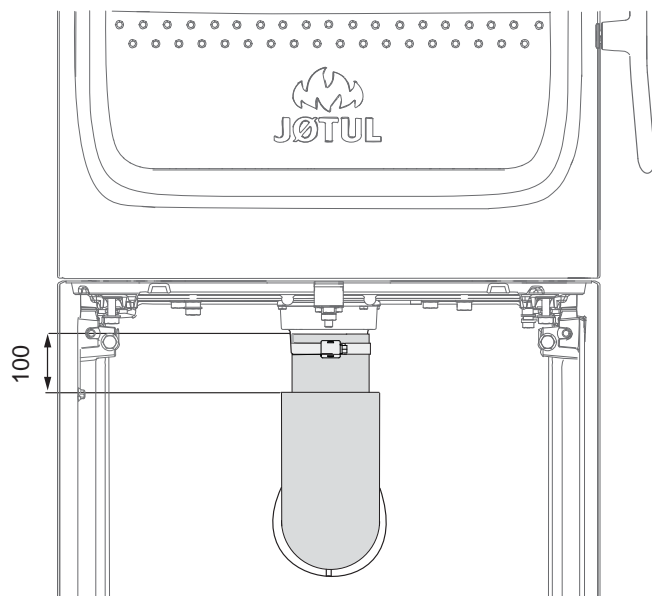


2. Sujete el conector para aire exterior (A) al adaptador insertándolo en los dos tornillos (B) por las muescas previstas para ello y apretando las tuercas (C).

4.4 Toma de aire exterior por la base

Por la parte posterior

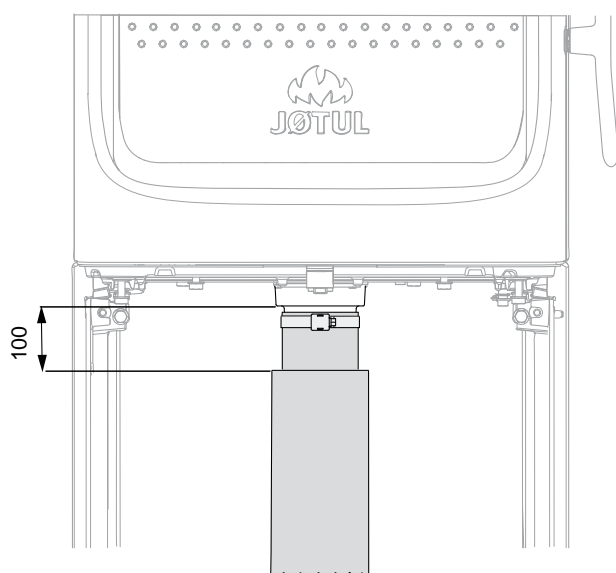
Fig. 16



- Para sujetar el tubo de entrada de aire exterior de $\varnothing 80$ (accesorio opcional, n.º de artículo 51047509) consulte el manual (n.º de artículo 10047508) que se suministra con el kit para aire exterior. Sujete el tubo al conector para aire exterior con una abrazadera para tubo. El aislante del tubo para aire exterior termina a unos **100 mm** del conector, debajo de la cámara de combustión.

Por el suelo

Fig. 17



- Para sujetar el tubo de entrada de aire exterior de $\varnothing 80$ (accesorio opcional, n.º de artículo 51047509) consulte el manual (n.º de artículo 10047508) que se suministra con el kit para aire exterior. Sujete el tubo al conector para aire exterior con una abrazadera para tubo. El aislante del tubo para aire exterior termina a unos **100 mm** del conector, debajo de la cámara de combustión.

4.5 Chimenea y tubo del tiro

- La estufa solo debe conectarse a una chimenea y tubo de tiro homologados para estufas de combustible sólido con temperaturas de gas de tiro conforme a lo especificado en «**2.0 Datos técnicos**».
- La sección de la chimenea debe estar diseñada para ajustarse a la estufa. Emplee «**2.0 Datos técnicos**» para calcular la sección correcta de chimenea.
- La chimenea debe conectarse de acuerdo con las instrucciones de instalación del proveedor de la chimenea.
- Antes de practicar un orificio en la chimenea, debe instalarse provisionalmente el producto para marcar correctamente la posición de la estufa y del orificio de la chimenea. Consulte la **Fig. 1** para determinar las dimensiones mínimas.
- Asegúrese de que el tubo de tiro suba todo a lo largo de la chimenea.
- Con una salida trasera, emplee un codo de tubo de tiro con una trampilla que permita su deshollinado.
- No olvide que es de suma importancia que las conexiones ofrezcan un cierto grado de flexibilidad. Ello tiene como fin prevenir que el movimiento de la instalación pueda generar grietas.
- Para recomendaciones sobre la corriente de chimenea, consulte el apartado «**2.0 Especificaciones técnicas**». Para las dimensiones del tubo de tiro con la sección correspondiente, consulte «**2.0 Especificaciones técnicas**».

N. B.: La longitud mínima recomendada de la chimenea es de 3,5 m desde la inserción del tubo de tiro. Si la corriente es demasiado fuerte, podrá instalarse un amortiguador de tubo de tiro y utilizarse para reducir la corriente.

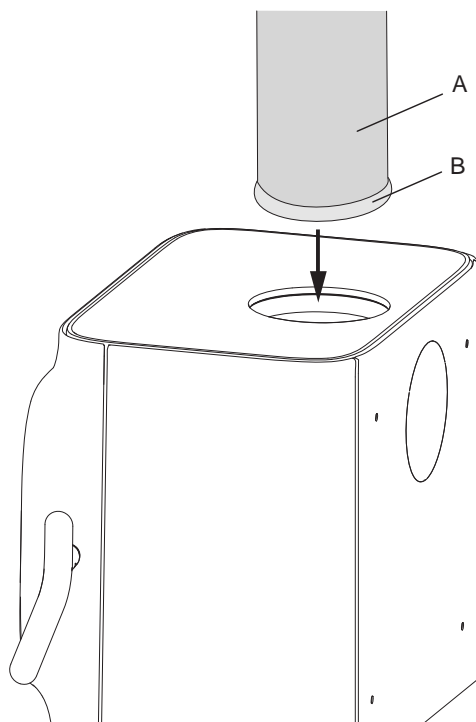
Funcionamiento en distintas condiciones climatológicas

El efecto del viento en la chimenea puede influir decisivamente en la reacción de la estufa a las rachas de viento. Para que la combustión sea la adecuada es posible que haya que ajustar la entrada de aire.

4.4 Instalación de tubo de humos con salida por la parte superior

El producto se suministra de fábrica con la salida de humos en la parte superior.

Fig. 18

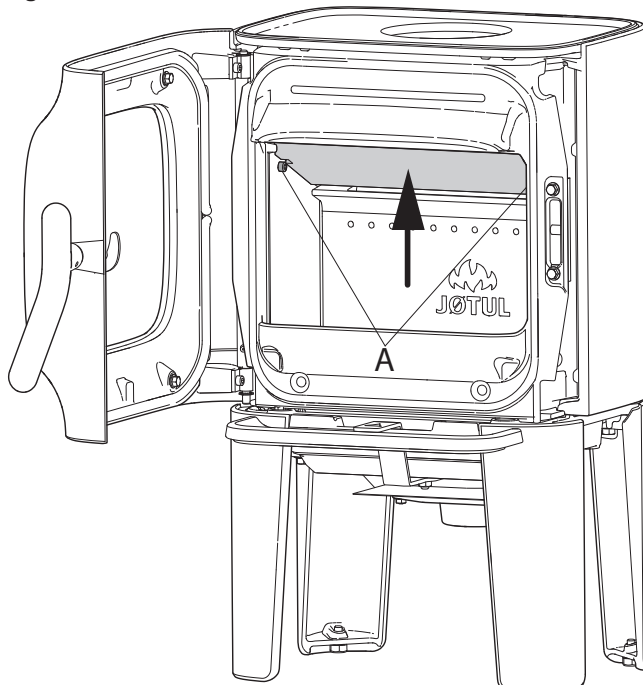


1. Introduzca el tubo de humos (**A**) por la placa superior y ajústelo a la salida de humos superior.
2. Coloque una junta (**B**) para garantizar la estanqueidad.

4.5 Instalación de tubo de humos con salida por la parte posterior

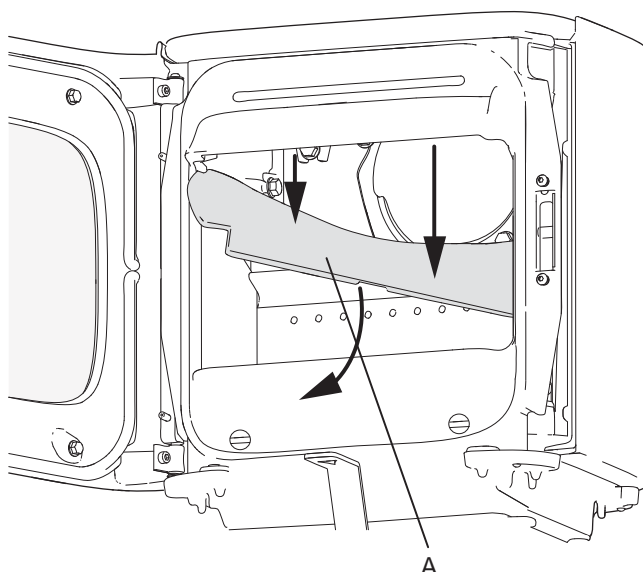
El producto se suministra de fábrica con la salida de humos en la parte superior. Si necesita que el tubo de humos vaya en la parte posterior, realice los pasos siguientes:

Fig. 19



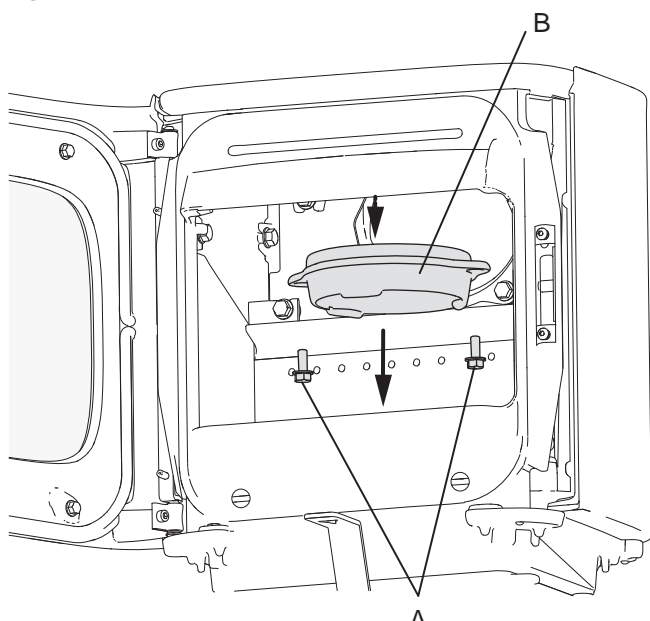
1. Quite la placa deflectora levantándola por el borde posterior y gírela lo suficiente para poder extraerla de la cámara de combustión. Desenroscar los dos tornillos.

Fig. 20



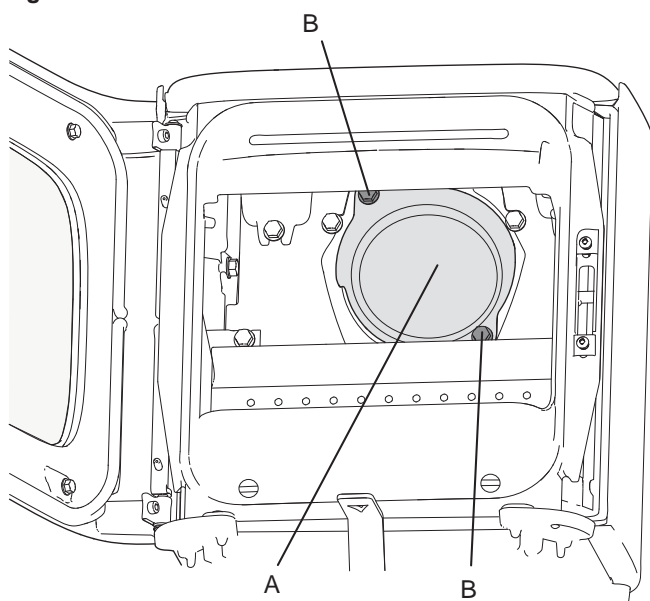
1. Coloque el producto en la posición correcta. Consulte la **figura 1**.
2. Quite el deflector de escape (**A**).

Fig. 21



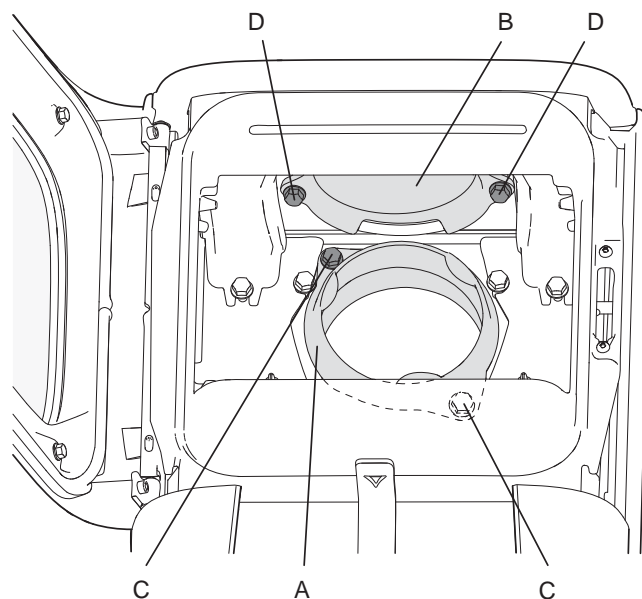
3. Quite los tornillos **(A)** y extraiga el conector para tubo de humos **(B)** de la parte superior.

Fig. 22



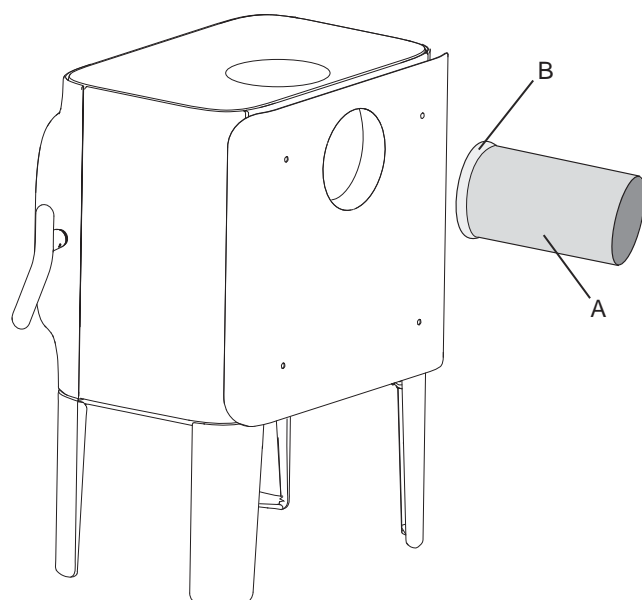
4. Quite los tornillos **(B)** y extraiga la tapa **(A)** de la salida posterior desde dentro de la cámara de combustión.

Fig. 23



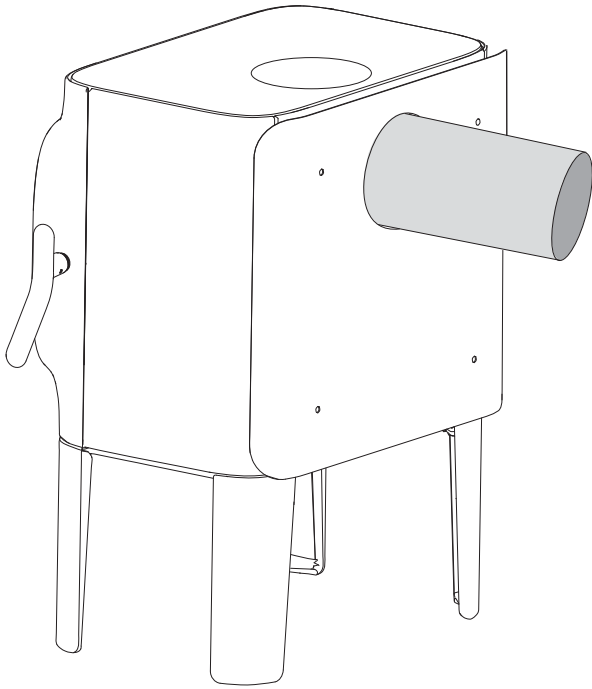
5. Sujete el conector para tubo de humos **(A)** a la salida posterior con los dos tornillos **(C)** desde dentro de la cámara de combustión.
6. Monte la tapa **(B)** en la salida superior con los dos tornillos **(D)** desde dentro de la cámara de combustión.
7. Vuelva a poner el deflector de escape.
8. Monte la placa deflectora.

Fig. 24



9. Ponga la junta **(B)** en el borde del tubo de humos **(A)**.

Fig.25



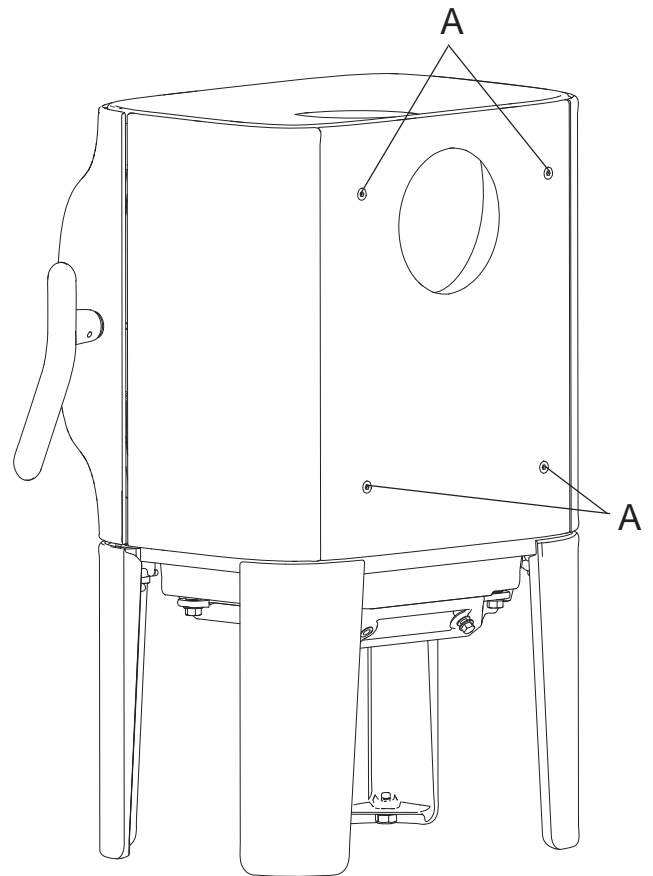
10. Inserte el tubo de humos en la salida posterior.

Nota: Es importante que la unión entre la salida y el tubo sea totalmente hermética. Las fugas de aire pueden impedir que el producto funcione adecuadamente.

Estufa sin placa de convección

Nota: Si no se monta placa de convección, la alineación del producto difiere (**consulte la fig. 1**).

Fig. 26

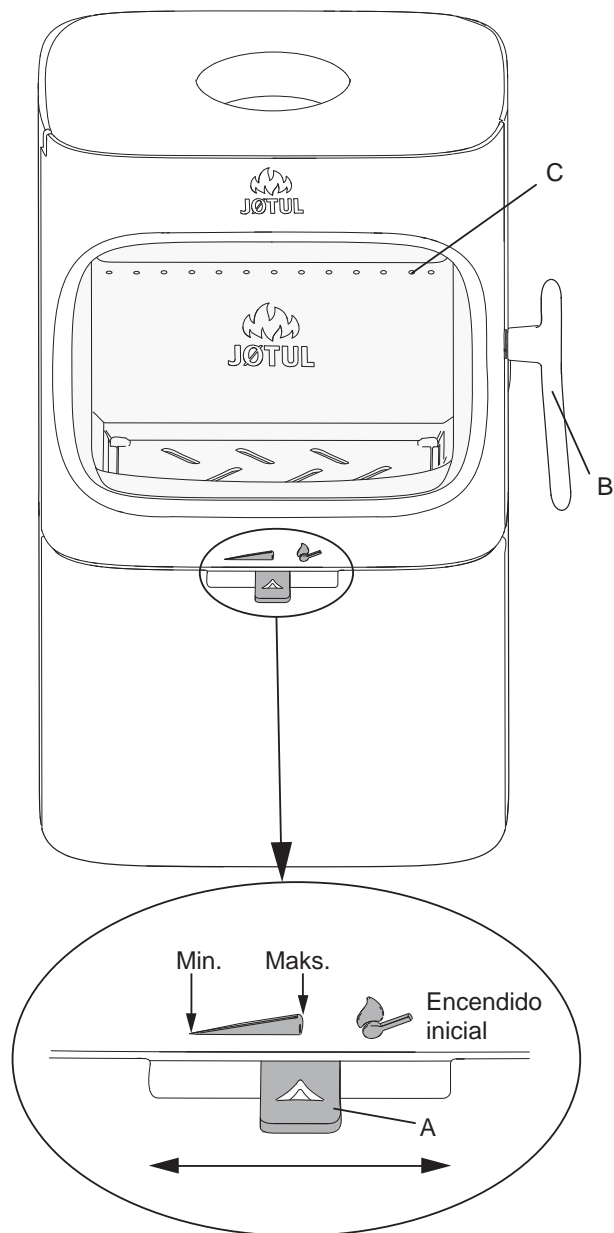


1. Si no va a montar la placa de convección en la cámara de combustión, vuelva a apretar los cuatro tornillos (**A**). Use la llave hexagonal que encontrará en la bolsa de tornillos.

4.6 Comprobación del rendimiento

Compruebe siempre los manillares de control después de ensamblar el producto. Deben moverse con facilidad y operar de modo satisfactorio.

Fig. 27



La Jøtul F 105 cuenta con los elementos de mando siguientes:

Entrada de aire secundario (A)

Posición izquierda: Mínima
 Posición central: Máxima
 Posición derecha: Encendido

Tirador (B)

Para abrir la puerta.

Altura de apilado (C) de leña (los agujeros no deben quedar tapados).

5.0 Uso diario

Olores al usar la estufa por primera vez

Cuando se usa la estufa por primera vez, puede emitir un gas irritante que huele ligeramente. Esto ocurre debido a que se seca la pintura. El gas no es tóxico, pero la habitación deberá ventilarse completamente. Deje que el fuego arda con mucha corriente hasta que haya desaparecido todo rastro del gas y no sea posible detectar humo ni olores.

Consejos de calentamiento

Nota: Los troncos que se hayan almacenado en el exterior o en una habitación fría deberán meterse al interior 24 horas antes de usarlos para que alcancen la temperatura ambiente. Hay varias formas de calentar la estufa, pero siempre es importante tener cuidado con lo que introduce en ella. Consulte la sección sobre “Calidad de la madera”.

¡Atención! Un suministro de aire inadecuado puede dar lugar a una combustión deficiente, altas emisiones y un menor nivel de eficiencia.

Calidad de la madera

Por madera de calidad nos referimos a los tipos más conocidos de madera, como abedul, picea y pino.

Los troncos deben secarse de forma que su contenido en humedad no supere el 20 %.

Para esto, los troncos deben cortarse a finales del invierno. Deben partirse y apilarse de forma que se garantice una buena ventilación. Las pilas de madera deben estar cubiertas para proteger los troncos de la lluvia. Los troncos deben ponerse a cubierto a principios del otoño y apilarse para utilizarlos en el próximo invierno.

Tenga cuidado especialmente de no usar nunca los siguientes materiales como combustible en su estufa:

- Basura doméstica, bolsas de plástico, etc.
- Madera pintada o impregnada (que es extremadamente tóxica).
- Planchas de madera laminada.
- Restos de madera

Pueden dañar el producto y también son contaminantes.

Nota: Nunca use gasolina, parafina, alcohol desnaturalizado o líquidos similares para encender el fuego. Puede sufrir lesiones graves y ocasionar serios daños al producto.

Astillas para encender (madera cortada fina):

Longitud: Max. 33 cm
 Diámetro: 2-4 cm
 Cantidad necesaria en cada ocasión: 6-8 trozos

Madera (leña):

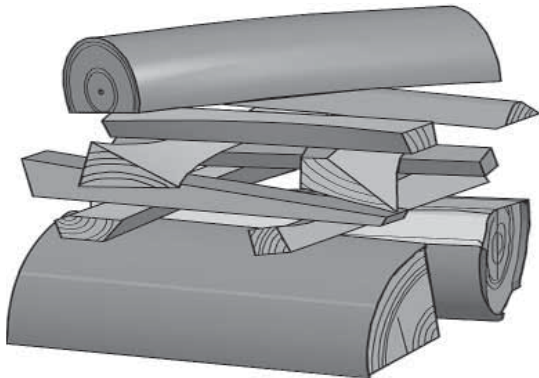
Longitud recomendada: 20 - 33 cm
 Diámetro: aprox. 8 cm
 Intervalo de adición de leña: aprox. cada 45 - 50 minutos
 Tamaño del fuego: 1,1 kg (potencia nominal)
 Consumo máx. de leña: 2,0 kg
 Cantidad necesaria en cada ocasión: x2

La potencia calorífica nominal se obtiene al abrir el respiradero cerca de un 30 % (fig. 27). La potencia calorífica máxima se obtiene al abrir el respiradero cerca de un 50 %.

Encendido inicial

- Abra el respiradero de aire y el respiradero de encendido tirando de los manillares (**fig. 27**) hasta el tope. (Use un guante o algo similar para protegerse la mano en caso de que los manillares estén calientes).

Fig. 28



- Coloque dos troncos en la parte inferior de la cámara de combustión y apile las astillas para encender en capas.
- Por último, ponga un tronco de tamaño medio en la parte superior de la pila.
- Ponga 2 ó 3 briquetas o astillas para encender debajo de la capa superior de astillas y encienda el fuego. **Nota:** La altura máxima de la pila de madera debe estar justo debajo de los orificios horizontales. No deben cubrirse los orificios.
- Cierre la puerta.
- Entonces podrá regular el régimen de combustión para obtener el calor que desee ajustando el respiradero (**fig. 27**).
- Compruebe que se inicia la postcombustión (combustión secundaria). Se indica mediante llamas amarillas que bailan delante de los agujeros debajo de la placa deflectora.
- Si el caudal de aire es normal, podrá cerrar la puerta y el fuego se mantendrá por sí mismo.

Añadir madera

Avive la estufa con frecuencia pero añada solo una pequeña cantidad de leña en cada ocasión. Si la estufa está demasiado llena, el calor generado podría causar una elevada tensión en la chimenea. Añada combustible al fuego con moderación. Evite el fuego sin llama, pues es el que produce más contaminación. El fuego irá mejor cuando arda bien y el fuego que salga por la chimenea sea casi invisible. El mejor fuego se consigue cuando la leña arde bien y el humo que sale por la chimenea casi no se ve. **Nota: Es importante mantener la puerta de la estufa cerrada mientras está encendida.**

5.1 Peligro de sobrecalentamiento

La estufa no debe usarse nunca de manera que se sobrecaliente

Se produce sobrecalentamiento cuando hay demasiado combustible y/o demasiado aire y se produce demasiado calor. Un signo seguro de sobrecalentamiento es cuando partes de la estufa se ponen al rojo. Si sucede esto, reduzca de inmediato la abertura del respiradero.

Solicite la ayuda de un profesional si sospecha que la corriente de la chimenea no es correcta (demasiada corriente o demasiado poca). Para más información, consulte «4.0 Instalación» (chimenea y tubo de tiro).

5.2 Retirada de cenizas

La Jøtul F 105 tiene una bandeja de cenizas que permite retirar las cenizas con facilidad.

- Saque las cenizas solo con la estufa fría.
- Empuje las cenizas a través de la rejilla en la parte inferior para que caigan en la bandeja de cenizas. Use un guante o algo similar para protegerse la mano. Sujete el manillar de la bandeja de cenizas y extraiga la bandeja. Compruebe que la bandeja de cenizas no se llene nunca tanto que impida que las cenizas caigan a través de la rejilla.
- Compruebe que la bandeja de cenizas entre por completo antes de cerrar la puerta.

6.0 Mantenimiento

6.1 Limpieza del cristal

El producto está equipado con un sistema de inyección de aire para el cristal. El aire se introduce a través del respiradero de la parte superior del producto y se desplaza hacia abajo a lo largo de la cara interior del cristal.

Aunque siempre se adhiere algo de hollín al cristal, la cantidad dependerá de las condiciones de tiro locales y del ajuste del respiradero de ventilación. La mayor parte de la capa de hollín se suele quemar cuando se abre completamente el respiradero de ventilación y arde un fuego vivo en la estufa.

Un buen consejo! Para la limpieza normal humedezca una toalla de papel en agua caliente y añádale cenizas de la cámara de combustión. Frote el cristal con la toalla de papel y, a continuación, enjuáguelo con agua limpia. Séquelo bien. Si es necesario limpiar el cristal más a fondo, recomendamos el empleo de un limpiacristales (*siga las instrucciones de uso del envase*).

6.2 Limpieza y retirada del hollín

Pueden acumularse depósitos de hollín en las superficies internas de la estufa durante el uso. El hollín es un buen aislante y, por lo tanto, reducirá la potencia calorífica de la estufa. Si se acumulan depósitos de hollín mientras usa el producto, puede eliminarlos fácilmente mediante un limpiador de hollín.

Para evitar que se forme una capa de agua y alquitrán en la estufa, debe dejar que el fuego arda con intensidad regularmente para eliminar la capa. Es necesario realizar una limpieza interna anual para obtener el mejor rendimiento térmico del producto. Es buena idea hacerlo al limpiar la chimenea y los tubos de tiro.

6.3 Deshollinar los tubos de tiro en la chimenea

Los tubos de tiro deben deshollinarse a través de la trampilla del tubo de tiro o a través de la abertura de la puerta. Será necesario desmontar primero una de las placas deflectoras para poder hacerlo.

6.4 Inspección de la estufa

Jøtul le recomienda que inspeccione detenidamente la estufa después de limpiarla/deshollinarla. Revise todas las superficies visibles en busca de grietas. Compruebe también que estén selladas todas las uniones y que todas las juntas estén en la posición correcta. Será necesario sustituir cualquier junta que presente signos de desgaste o deformación.

Limpie cuidadosamente las ranuras de la junta, aplique adhesivo cerámico (disponible en su distribuidor de Jøtul más cercano) y coloque la junta en su sitio apretando bien. La unión se secará con rapidez.

6.5 Mantenimiento exterior

Los productos pintados pueden cambiar de color tras varios años de uso. Deberá limpiarse y cepillarse la superficie para retirar cualquier partícula suelta antes de aplicar pintura nueva.

Los productos esmaltados deben limpiarse únicamente con un paño limpio y seco. No utilice agua y jabón. Las manchas pueden eliminarse con un líquido de limpieza (*un producto para limpiar hornos, etc.*).

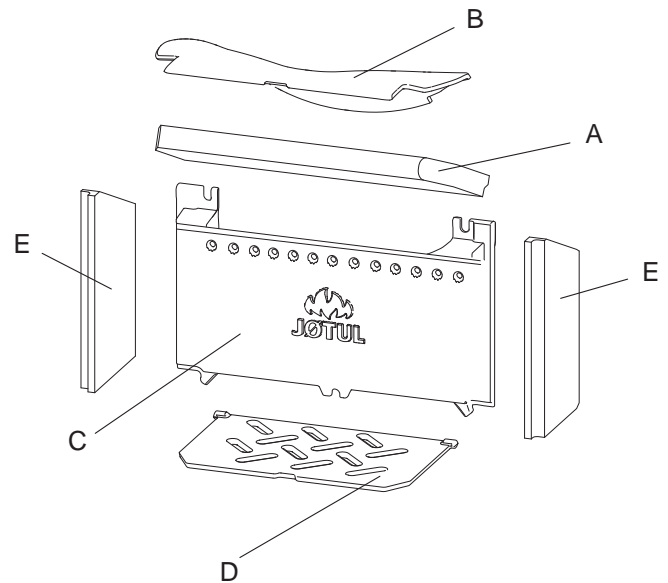
7.0 Servicio

¡Advertencia! Es ilegal cualquier modificación no autorizada del producto. Solo podrán usarse piezas de repuesto originales.

7.1 Mantenimiento/sustitución de piezas de la cámara de combustión

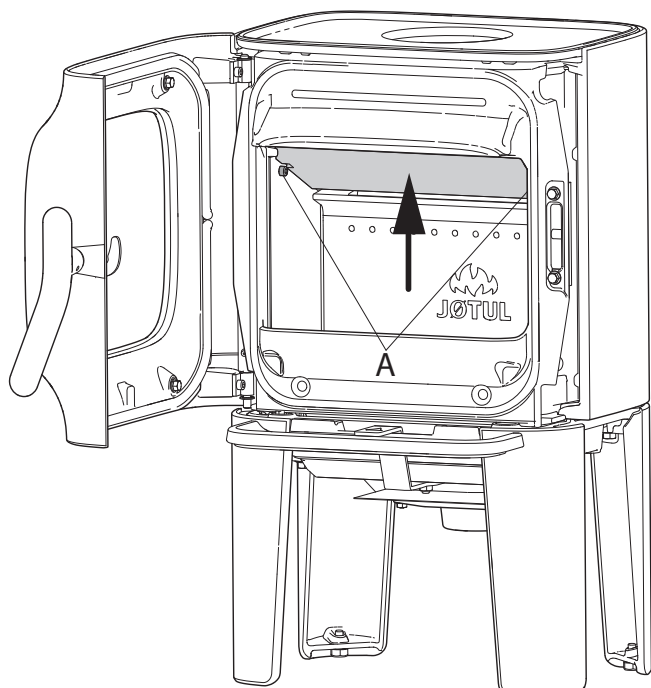
Nota: Use las herramientas con mucho cuidado. Las placas de vermiculita podrían dañarse si se tratan sin cuidado.

Fig. 29



2. **Placa deflectora:** Quite la placa deflectora levantándola por el borde posterior y gírela lo suficiente para poder extraerla de la cámara de combustión. Desenrosque los dos tornillos.
3. **Deflector de escape:** Empuje el borde delantero del deflector de escape (**B**) hacia arriba y hacia abajo y gírelo lo suficiente para poder extraerlo de la cámara de combustión.
4. Levante la rejilla (**D**) sujetándola por la ranura central de la parte delantera y saque la bandeja recogecenizas de la cámara de combustión.
5. Quite los tres tornillos que sujetan la placa de combustión. Levante la placa por uno de los lados y gírela lo suficiente para poder extraerla de la cámara de combustión.

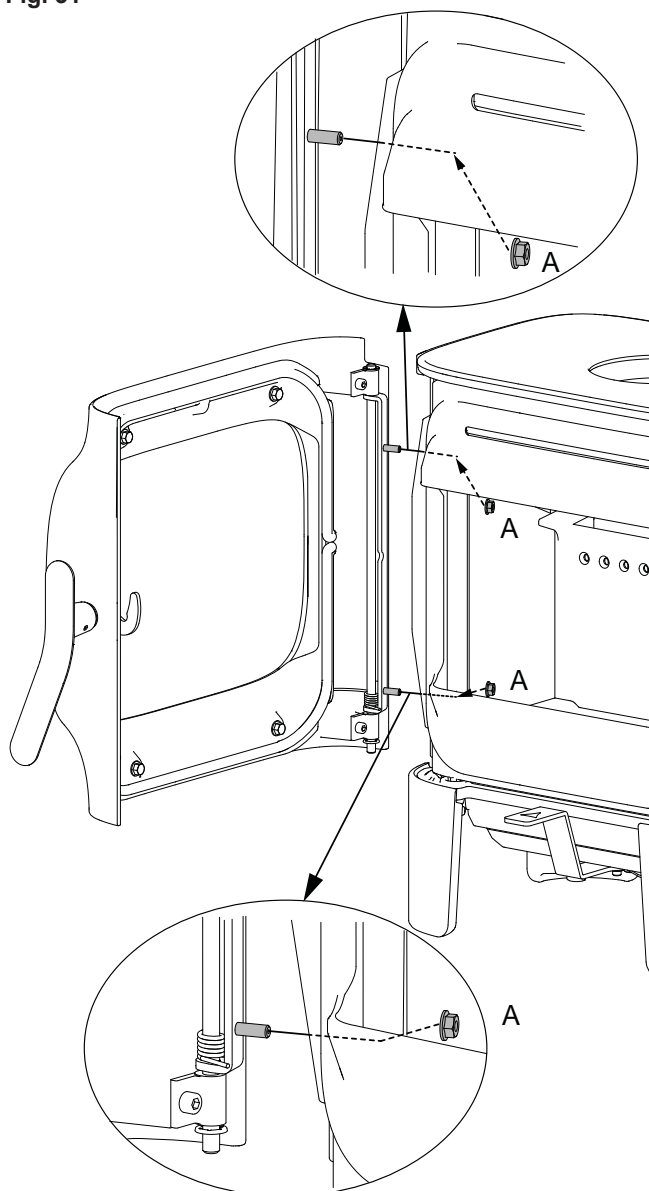
Fig. 30



1. Quite la placa deflectora levantándola por el borde posterior y gírela lo suficiente para poder extraerla de la cámara de combustión. Desenrosque los dos tornillos.

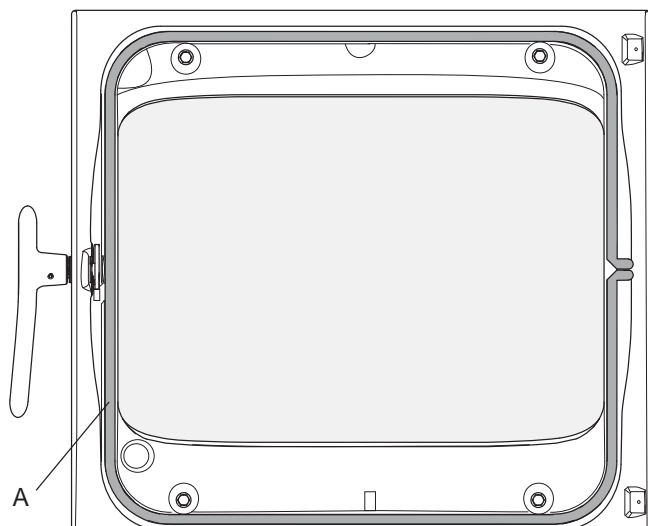
7.2 Cambio del cristal y las juntas de la puerta

Fig. 31



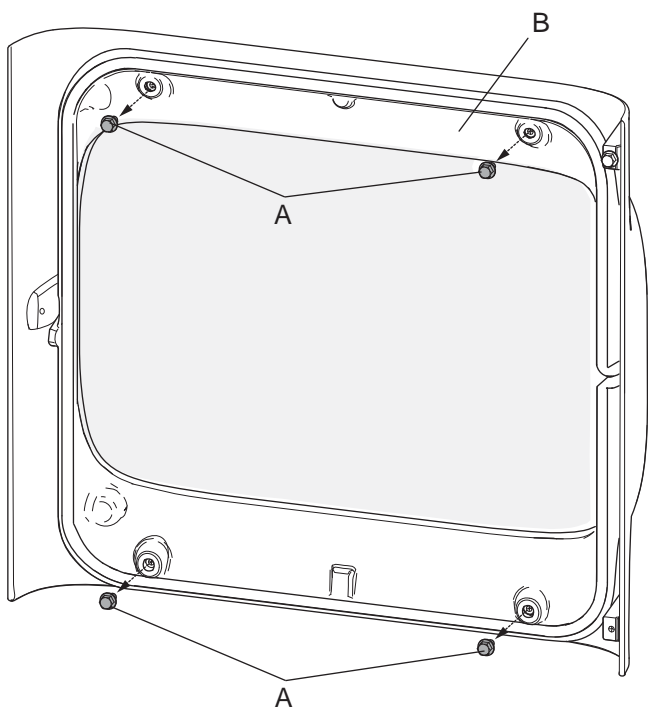
1. Quite las tuercas (A) y desenganche la puerta. Con cuidado, colóquela tumbada sobre la caja de cartón.

Fig. 32



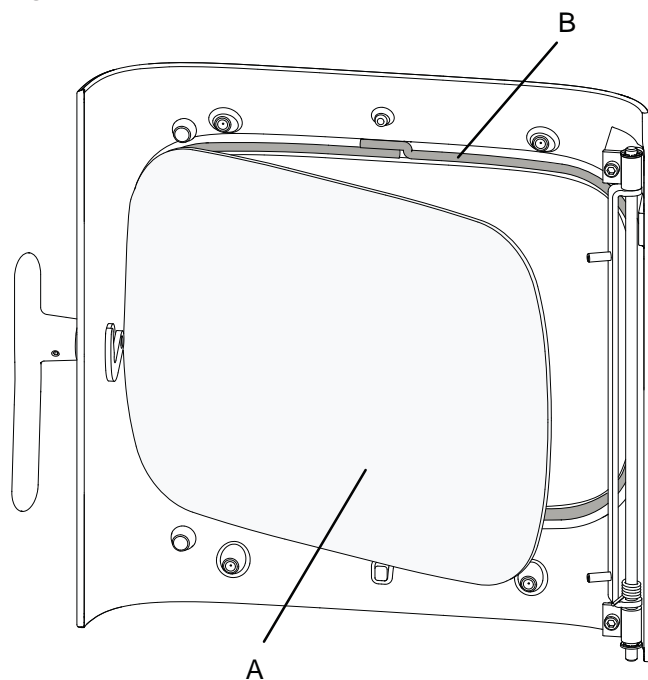
1. Quite la junta (A) del borde interior de la puerta, limpie la ranura y pegue una junta nueva.

Fig. 33



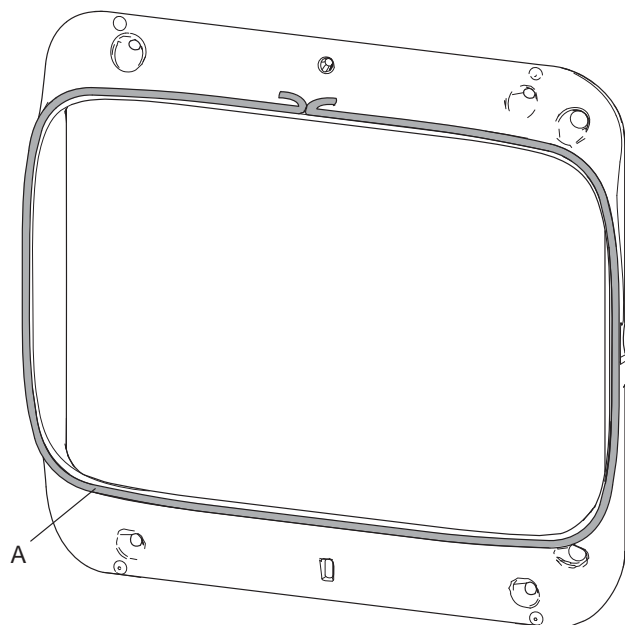
2. Si tiene que cambiar la junta del cristal o el propio cristal, desmonte primero el tirador de la puerta.
3. Quite el soporte del cristal (B) extrayendo los 4 tornillos que lo sujetan (A). **Nota: El cristal de la puerta va suelto. Tenga cuidado de que no se le caiga al quitar el soporte.**

Fig. 34



4. Quite con cuidado el cristal (A). Quite las juntas (B) y limpie las ranuras.
5. Pegue juntas nuevas.

Fig. 35



6. Quite la junta vieja (A) y limpie la ranura. Pegue una junta nueva.
7. Cuando haya cambiado las juntas dañadas, vuelva a montar todas las piezas.

8.0 Accesorios opcionales

8.1 Conexión de aire exterior

Conexión de aire exterior, Ø 80 mm - N.º cat. 51047509

8.2 Placa superior de esteatita

Nº de catálogo 51049066

8.3 Bandeja recogeceniza para patas

BP - Nº de catálogo 51049065

WHE - Nº de catálogo 51049516

8.5 Asa de bandeja recogecenizas

BP - Nº de catálogo 51049070

9.0 Reciclaje

9.1 Reciclaje del embalaje

- Su estufa se entrega con el siguiente embalaje:
- Un palé de madera que puede cortarse y quemarse en la estufa.
- Embalaje de cartón que debe llevarse a un punto de reciclaje local.
- Bolsas de plástico que deben llevarse a un punto de reciclaje local.

9.2 Reciclaje de la estufa

La estufa se compone de:

- Metal que debe llevarse a un punto de reciclaje local.
- Cristal que debe desecharse como un residuo peligroso. El cristal de la estufa no debe depositarse en un contenedor de separación convencional.
- Placas de combustión de vermiculita que pueden desecharse en contenedores de desechos convencionales.

10.0 Términos de la garantía

Desde 1853 Jøtul goza de reconocido prestigio como fabricante de estufas y hogares de alta calidad y prolongada vida útil. Estamos tan seguros de nuestra calidad que ofrecemos a nuestros clientes una ampliación de la garantía sin ningún tipo de coste adicional. Además le felicitamos por su elección de una estufa Jøtul.

1. Nuestra garantía cubre:

Jøtul AS garantiza que las partes exteriores de hierro fundido están libres de defecto en materiales o fabricación en el momento de la compra. Usted puede extender esta garantía sobre las piezas exteriores de fundición hasta 25 años desde la fecha de entrega del producto registrándolo en jotul.com, e imprimiendo la tarjeta de ampliación de la garantía en un plazo de tres meses a contar desde la fecha de compra. Recomendamos conservar la tarjeta de garantía junto con el justificante de compra. Jøtul AS también garantiza que las piezas de acero están libres de defectos de material o fabricación en el momento de la compra y durante un período de 5 años a partir de la fecha de entrega.

La garantía solamente tendrá validez si la instalación de la estufa se encarga a un instalador cualificado y se realiza con arreglo a la normativa en vigor y siguiendo las instrucciones de instalación y funcionamiento de Jøtul. Los productos reparados y las piezas sustituidas estarán garantizados durante el tiempo que quede de la garantía original.

2. La garantía no cubre:

- 2.1. Los daños en las piezas de desgaste, como placas de combustión, rejillas, deflectores de humos, juntas y similares, puesto que se deterioran con el tiempo debido al uso normal.
- 2.2. Los daños derivados de un mantenimiento inadecuado, sobrecalentamiento o uso de combustibles inadecuados (ejemplos de combustible inadecuado son entre otros: restos de madera extraídos del mar, madera impregnada, recortes de tablas, aglomerado, etc.) o de leña demasiado húmeda.
- 2.3. La instalación de accesorios opcionales que rectifiquen el tiro, el suministro de aire u otras circunstancias fuera del control de Jøtul.
- 2.4. Casos derivados de alteraciones o modificaciones de la estufa efectuadas sin el consentimiento de Jøtul, o el uso de piezas no originales.
- 2.5. Daños producidos en el almacén de un distribuidor, en el transporte posterior o durante la instalación.
- 2.6. Productos vendidos por distribuidores no autorizados en zonas donde Jøtul opera según distribución selectiva
- 2.7. Costes asociados (por ejemplo, pero no solo, transporte, mano de obra, gastos de viaje) o daños indirectos.

Las estufas de pellets, cristal, piedra, hormigón, acabados de pintura y esmalte (por ejemplo, pero no solo golpes, grietas, burbujas, decoloramiento, etc) están sujetos a la legislación nacional de consumo aplicable. Esta garantía es válida para compras realizadas dentro del territorio del Espacio Económico Europeo. Todas las reclamaciones de garantía se tramitarán a través de su distribuidor autorizado Jøtul local en un plazo razonable de tiempo que no excederá de 14 días respecto a la fecha en la que se detecte la falta o defecto por primera vez. Consulte la lista de importadores y distribuidores en nuestra página web www.jotul.com

Jøtul se reserva el derecho a rechazar cualquier reposición de piezas si la garantía no se ha registrado online. Esta extensión de garantía únicamente añade coberturas, y no disminuye en medida alguna los derechos del consumidor y las garantías establecidas por la ley. Los derechos de garantía nacional empezarán a contar desde la fecha de compra y solamente podrán ejercerse previa presentación del justificante de compra/número de serie.

Sluttkontroll av ildsteder

Quality control of stoves and fireplaces

Checked

Utført	Kontrollpunkt	Controlled item
✓	Alle deler er med i produktet (ifølge struktur).	All parts are included.
✓	Alle festemidler er av korrekt type, og er korrekt anvendt.	Correct fastener items have been used and correctly applied.
✓	Overflater er i samsvar med Jøtuls kvalitetsstandarder.	Surfaces comply with Jøtul workmanship standards.
✓	Lukkemekanismer fungerer som de skal, og uten behov for unødig stor kraft.	Door locking mechanisms function correctly; excessive force is not needed.
✓	Produktet/serien møter kravet for lekkasjetest.	The product/lot complies with the leakage test requirement.
✓	Lakkerte/emaljerte overflater møter kravene i Jøtuls kvalitetsstandarder.	Paint/enamel surface finish complies with Jøtul workmanship standards.
✓	Produktet er fritt for utvendig kitt- eller limklin.	Surfaces are not contaminated by external stove cement or glue.
✓	Produktet har ingen sprekker i glass, støpejern eller andre deler.	There are no cracks in glass, cast iron or other parts.
✓	Pakninger er riktig lagt, og skjemmer ikke produktet ved stygge ender eller ved at pakningen er unødig synlig.	Gaskets are correctly applied and do not degrade product appearance (i.e. loose ends or excessive visible exposure).
✓	Dørpakninger er godt limt.	Door gaskets are firmly glued/fixed to the door.
✓	Dørpakninger har tilfredsstillende pakningstrykk.	Door gaskets provide satisfactory sealing.
✓	Sjekk at det ikke "lyser gjennom" i dørpakning eller andre sammenføyninger.	Check for "light through" at door seals and other relevant locations.
✓	Trekkhender osv fungerer normalt.	The function of air valve handle etc is normal.

Jøtul bekrefter herved at dette produktet er kontrollert og funnet å være i samsvar med våre kvalitetsnormer.	Jøtul hereby confirm that this product has been QC inspected and found to comply with our quality standards.
Lot. No. / Serie nr. - Checked by / kontrollert av	

Cat.no. 10050140 -P11
Jøtul AS, Jan, 2020

Jøtul pursue a policy of constant product development. Products supplied may therefore differ in specification, colour and type of accessories from those illustrated and described in the brochure.

Jøtul vise sans cesse à améliorer ses produits. C'est pourquoi, il se réserve le droit de modifier les spécifications, couleurs et équipements sans avis préalable.

Quality

Our policy gives our customers quality and safety piece of mind as a result of Jøtul's vast experience dating back to when the company first started in 1853.

Qualité

Notre politique nous permet d'offrir à nos clients une qualité et une sécurité reposant sur la vaste expérience accumulée par Jøtul depuis sa création en 1853.



Jøtul AS,
P.o. box 1411
N-1602 Fredrikstad,
Norway
www.jotul.com