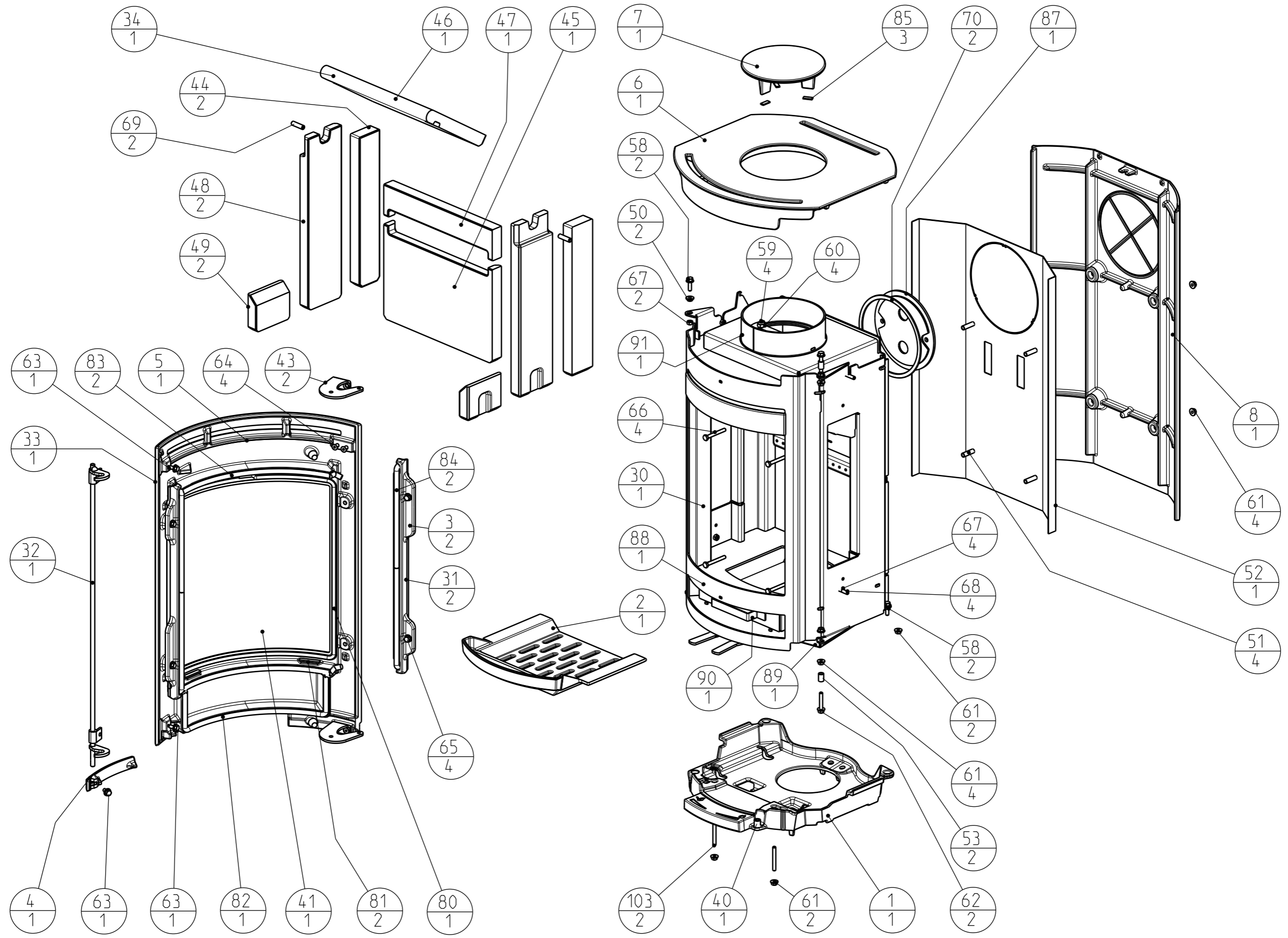
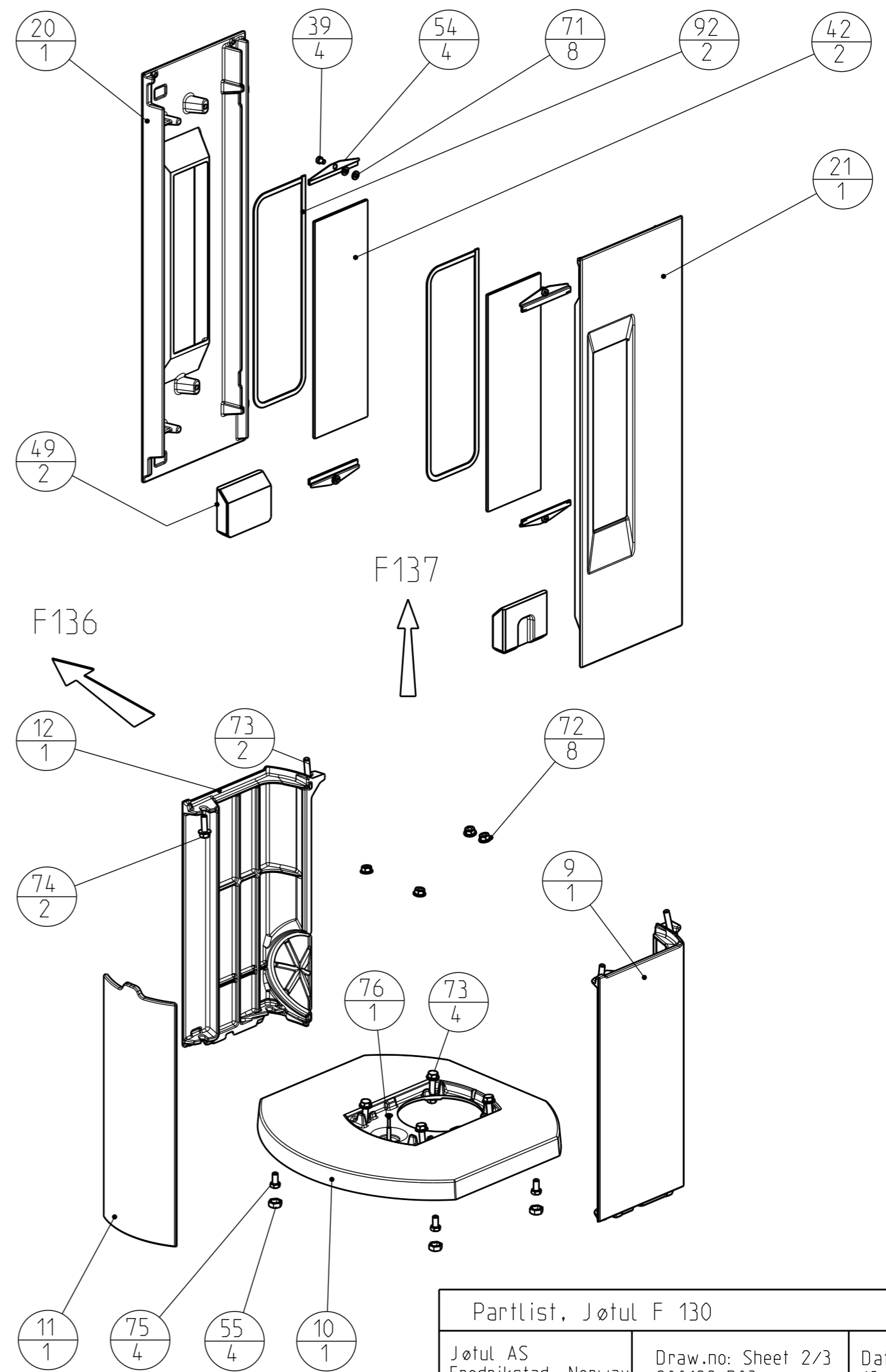
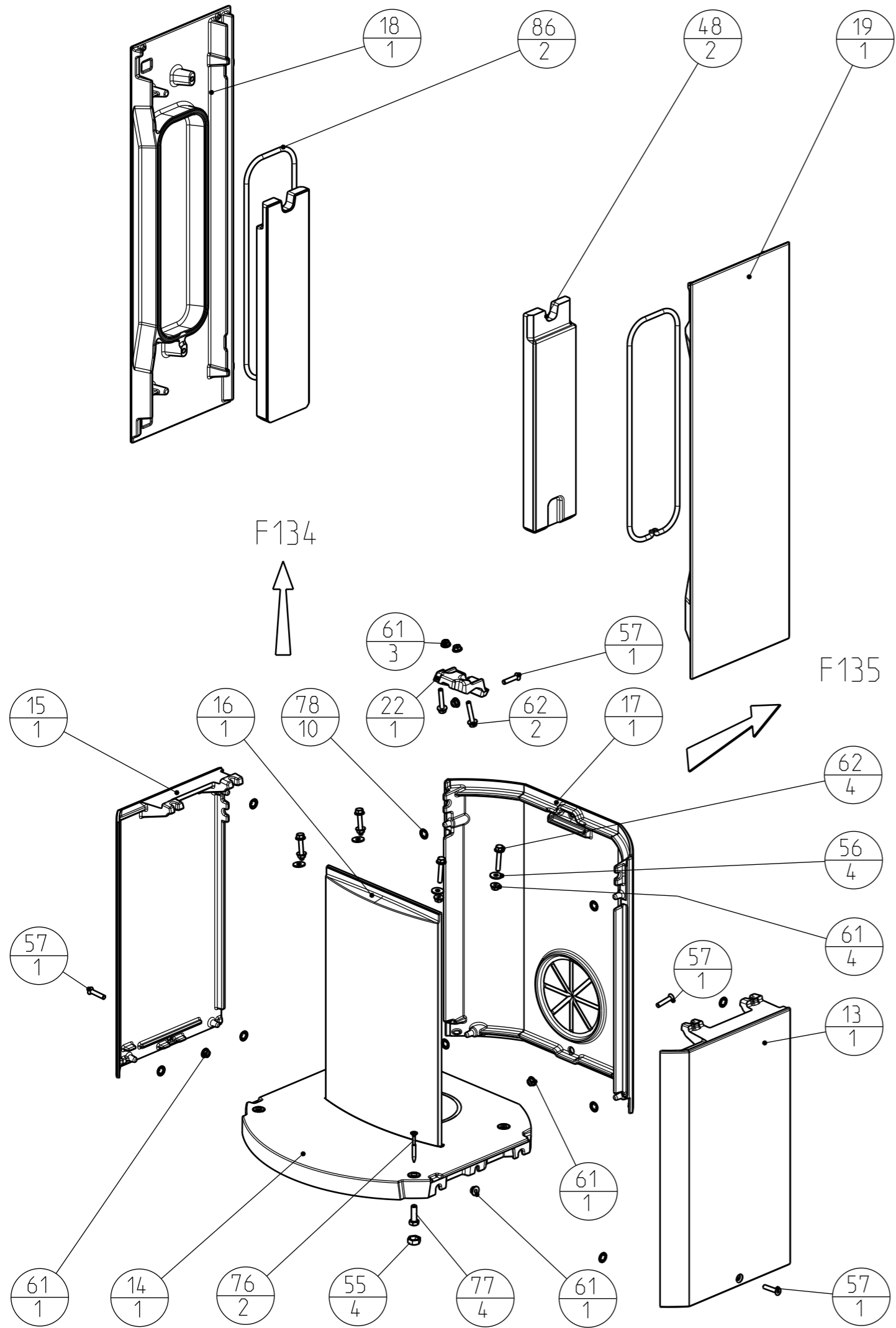


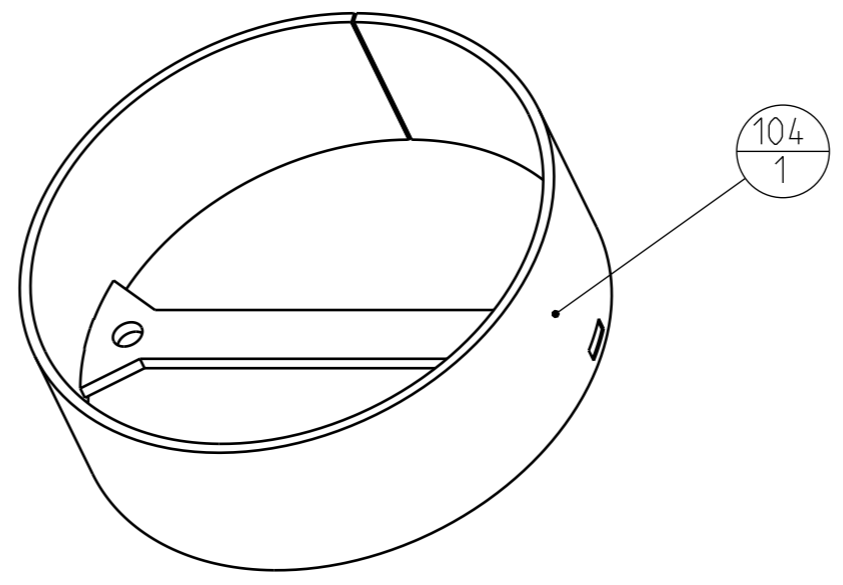
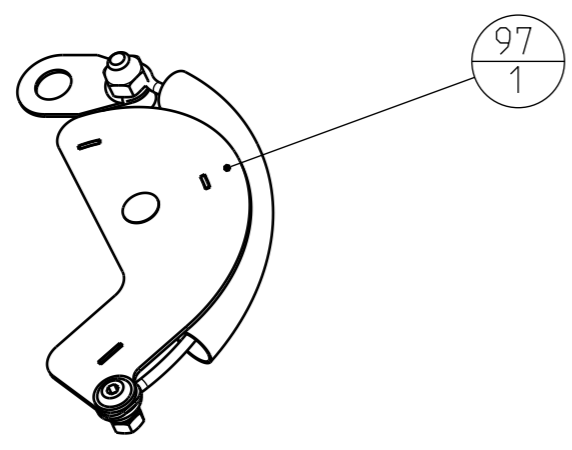
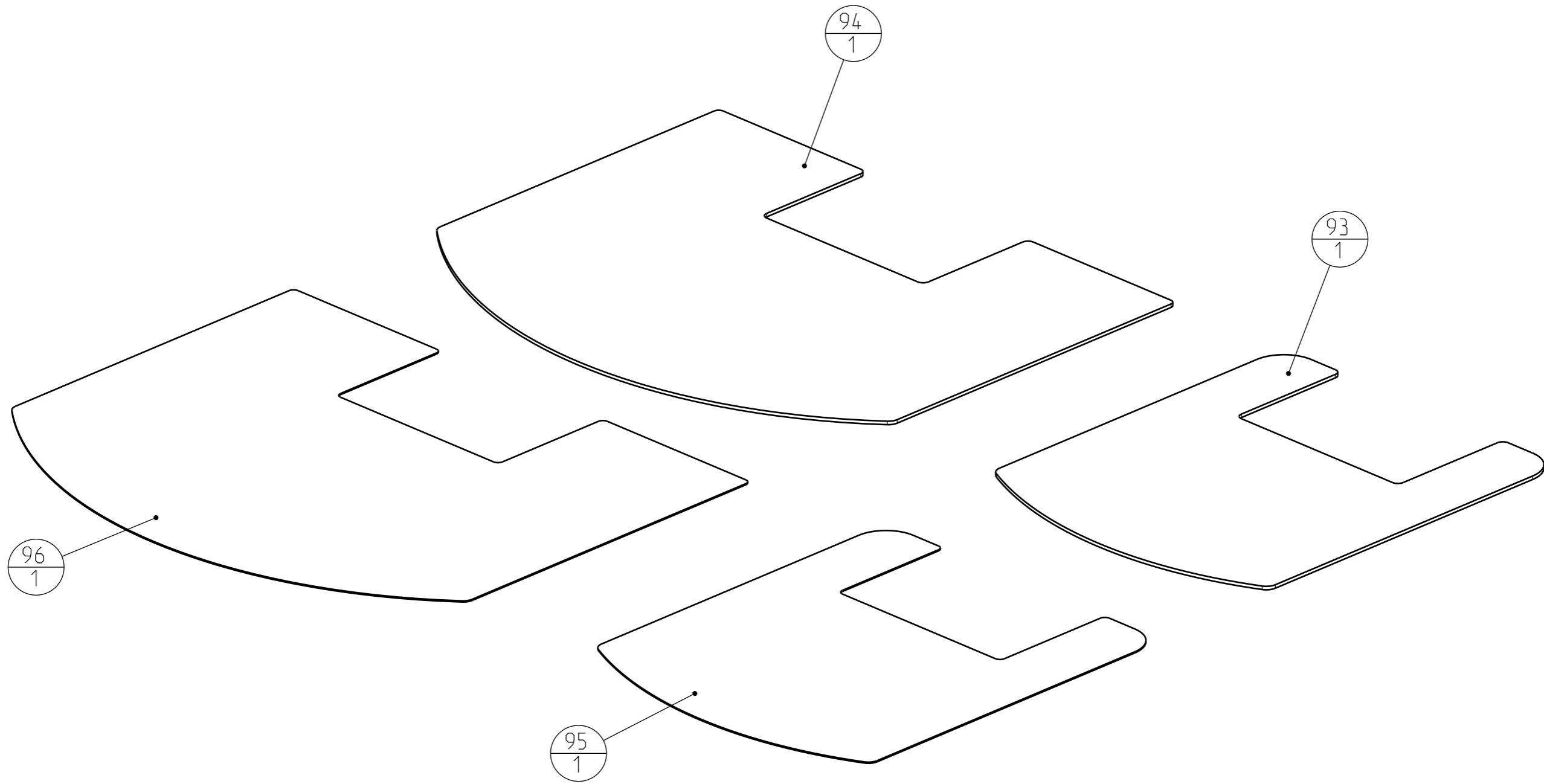
# Felles deler / Common parts: F 134, F 135, F 136, F 137



Partlist, Jøtul F 130		
Jøtul AS Fredrikstad, Norway	Draw.no: Sheet 1/3 900192-P03	Date: 19.01.2021



Partlist, Jøtul F 130		
Jøtul AS Fredrikstad, Norway	Draw.no: Sheet 2/3 900192-P03	Date: 19.01.2021

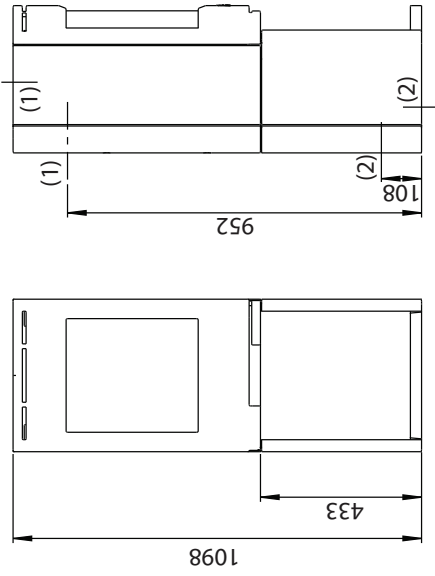


Partlist, Jøtul F 130		
Jøtul AS Fredrikstad, Norway	Draw.no: Sheet 3/3 900192-P03	Date: 19.01.2021

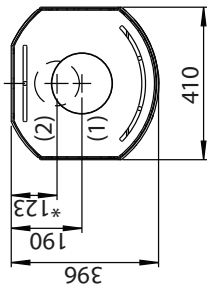
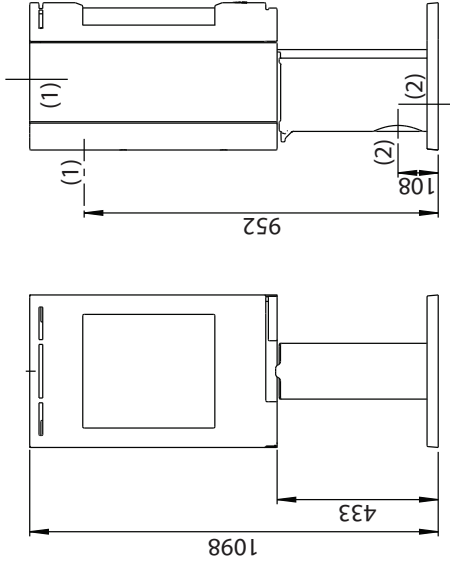
Jøtul F 130 Series

Fig. 1a

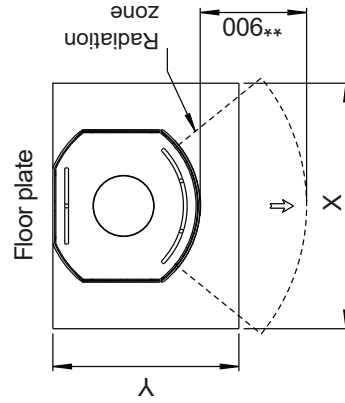
Jøtul F 134 (with base / without sideglases)



Jøtul F 136 (with pedestal without sideglases)



(1) - Flue pipe center  
(2) - Outside air connection center

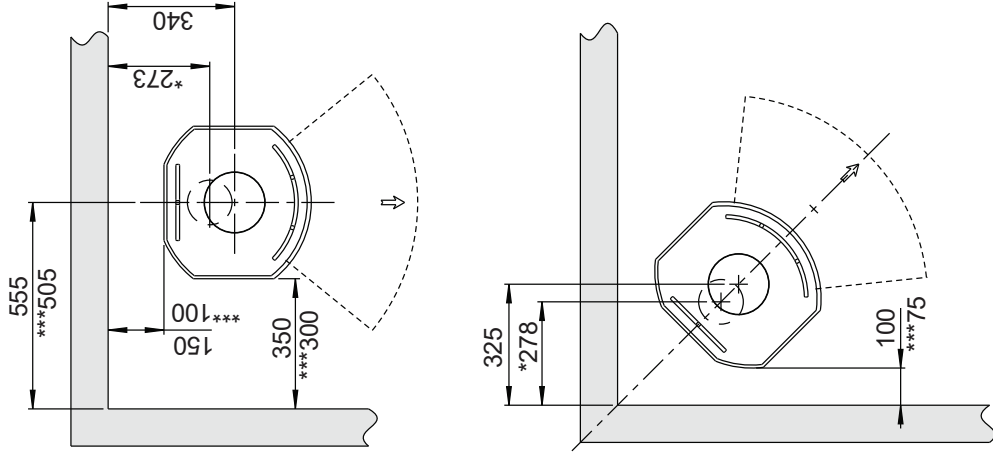


- \* Outside air connection
- \*\* Min. distance to furniture / combustible material
- \*\*\* Distance to combustible wall with semi-insulated / shielded flue pipe

Min. measurements floorplate  
X / Y= According to national laws and regulations

Combustible wall

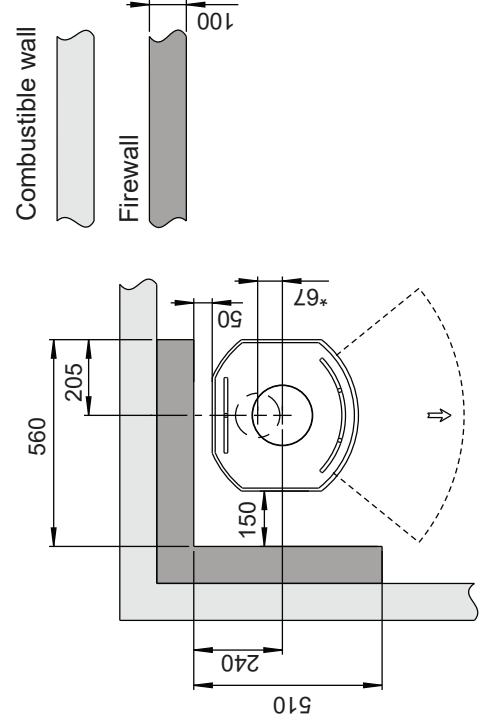
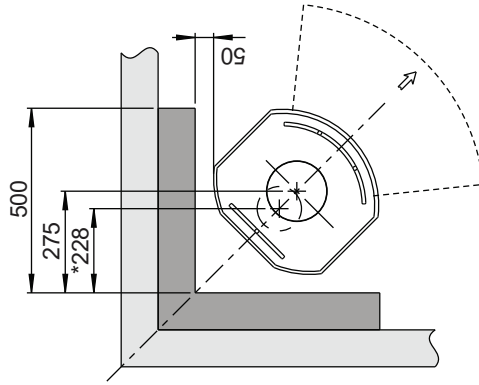
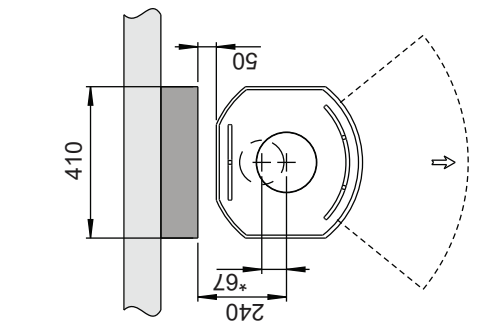
Min. distance to combustible wall



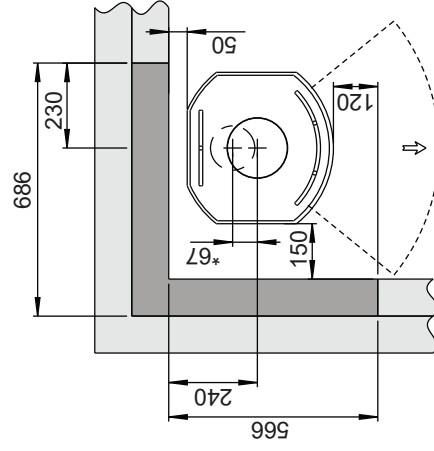
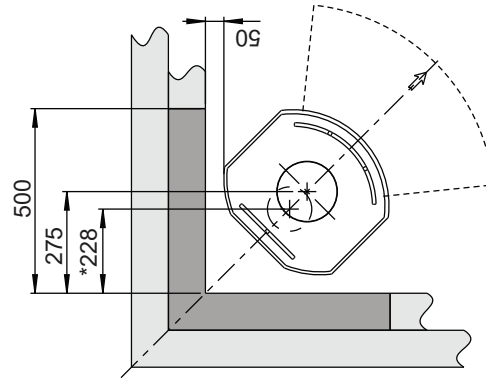
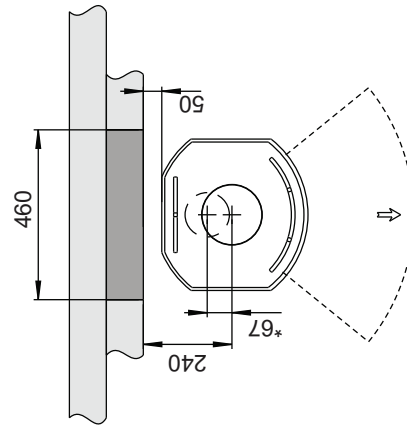
Jøtul F 130 Series

Jøtul F 134 / F 136 - min. distance to firewall

External



Integrated



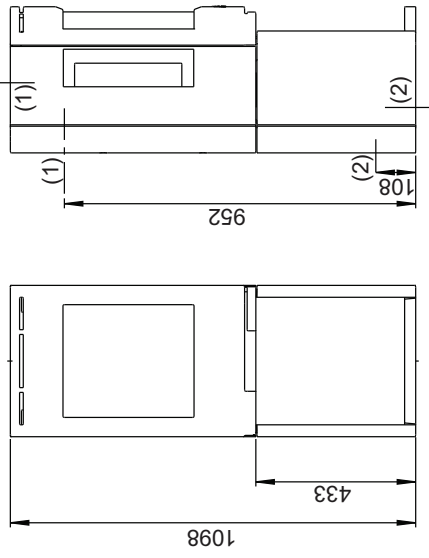
\* External air supply

900189-P01

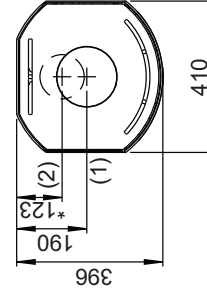
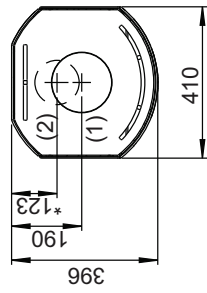
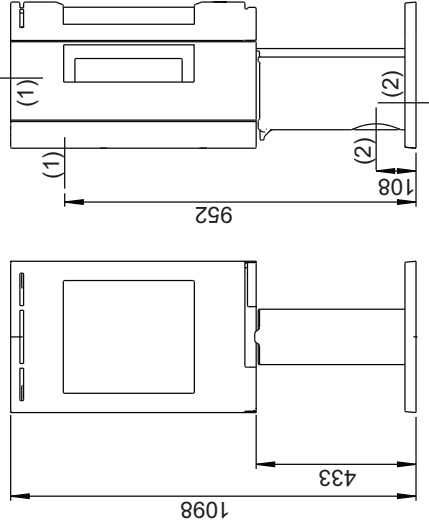
## Jøtul F 130 Series

Fig. 1c

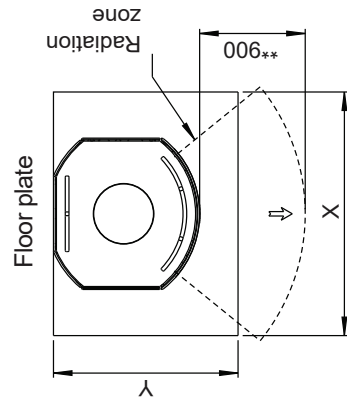
Jøtul F 135 (with base and sideglases)



Jøtul F 137 (with pedestal and sideglases)



(1) - Flue pipe center  
(2) - Outside air connection center



Min. measurements floor plate  
X / Y= According to national laws and regulations

- \* Outside air connection
- \*\* Min. distance to furniture / combustible material
- \*\*\* Distance to combustible wall with semi-insulated / shielded flue pipe

Combustible wall

Min. distance to combustible wall

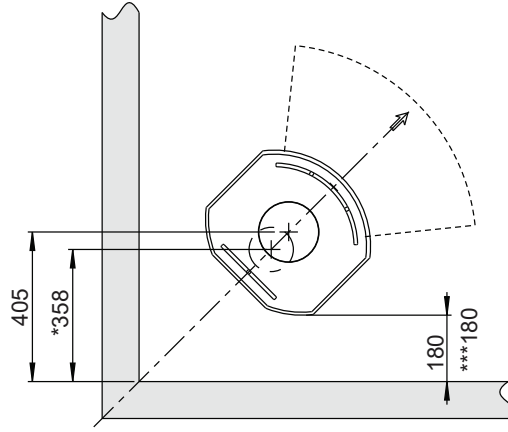
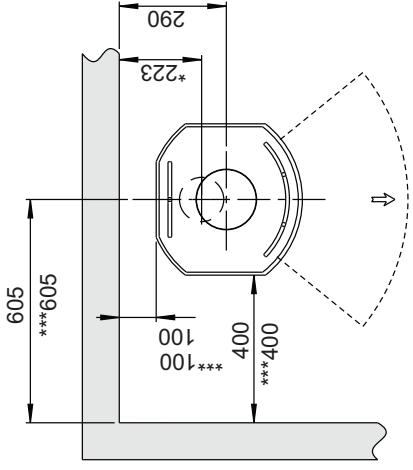
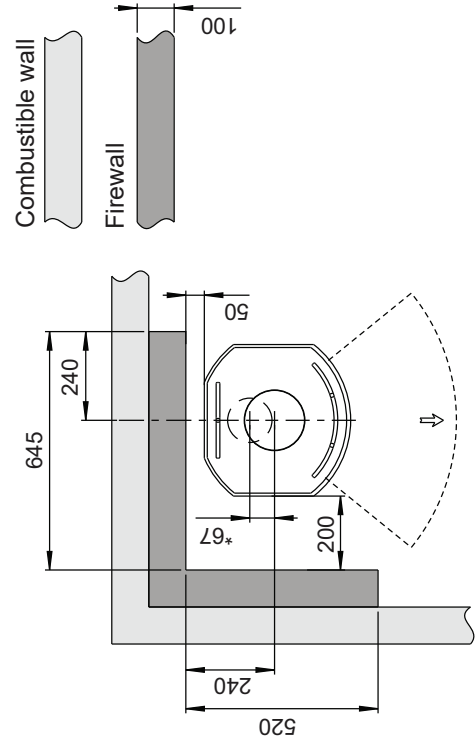
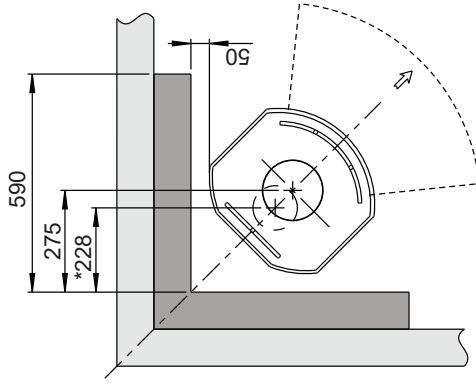
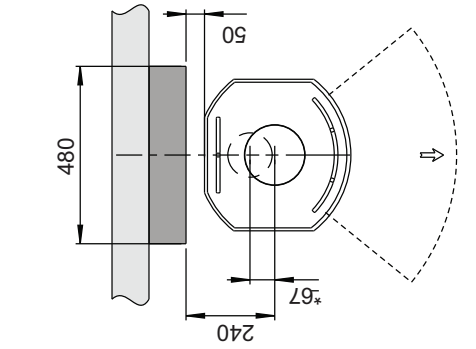


Fig. 1d

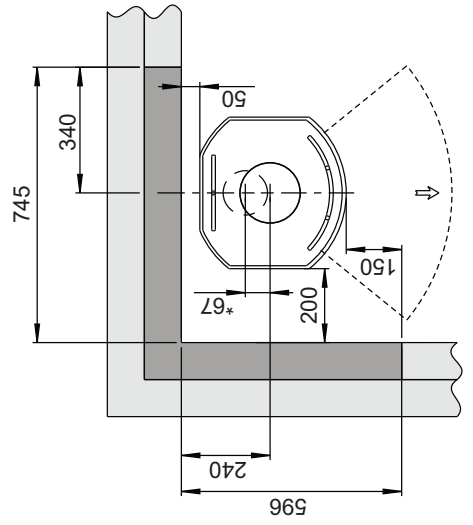
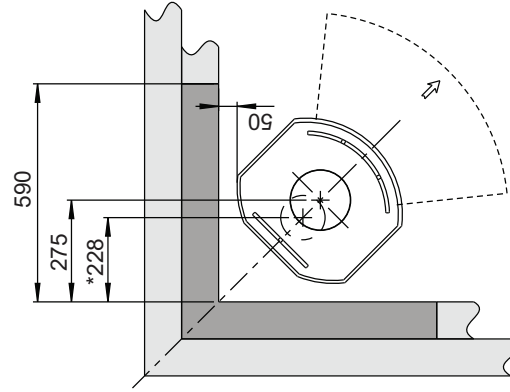
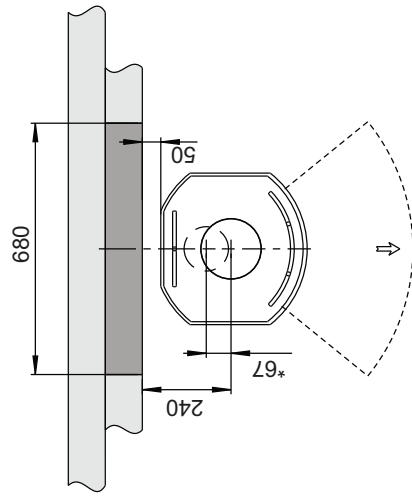
Jøtul F 130 Series

Jøtul F 135 / F 137 - min. distance to firewall

External



Integrated



\* External air supply

# Jøtul F 130

**F 134 BP (SOKKEL / BASE / WO SIDE WINDOW)**  
**F 135 BP (SOKKEL / BASE / W SIDE WINDOW)**  
**F 136 BP (SØYLE / PEDESTAL / WO SIDE WINDOW)**  
**F 137 BP (SØYLE / PEDESTAL / W SIDE WINDOW)**

**BP= Sort lakk/Black Paint, UP= Ulakkert/Unpainted**

Pos. no.	Spareparts	Benevnelse	Description	Dim./Spec.
1	12051331	Bunnplate Brennkammer BP	Bottom Plate Burn Chamber BP	Cast Iron min 4mm thickness
2	12051332	Fyrbunn	Inner Bottom	Cast Iron min 4mm thickness
3		Glassholder	Glass Holder	Cast Iron min 4mm thickness
4	12049694	Håndtak dør BE	Handle Door BE	Cast Iron min 4mm thickness
5		Dør BP	Door BP	Cast Iron min 4mm thickness
6	12051335	Topplate BP	Top Plate BP	Cast Iron min 4mm thickness
7	12051336	Blendelukk røykuttak BP	Cover Flue Outlet BP	Cast Iron min 4mm thickness
8	12051337	Bakplate BP	Rear Plate BP	Cast Iron min 4mm thickness
30		Brennkammer Komplet	Burn Chamber Complete	Steel
31		Glassholder med pakning	Glass Holder Incl. Gasket	Cast Iron min 4mm thickness
32	10049248	Låsemekanisme dør komplett	Locking Mechanism Door Complete	Stainless Steel
33	12051330	Dør med pakninger BP	Door Incl.Gaskets BP	Cast Iron min 4mm thickness
34	10049686	Vermikulitt sett	Vermiculite set	Vermiculite 600Kg/m <sup>3</sup>
40	10026076	Demper dørhåndtak	Damper Door Handle	Silicone 1mm
41	10049211	Glass dør	Glas Door	Ceramic glass 4mm thick
43	10025980	Hengsel dør	Hinge Door	Steel
44		Vermikulitt side bak	Vermiculite Side Back	Vermiculite 600Kg/m <sup>3</sup>
45		Vermikulitt brennplate bak nedre	Vermiculite Burn Plate Rear Lower	Vermiculite 600Kg/m <sup>3</sup>
46		Vermikulitt hvelv	Vermiculite Baffle	Vermiculite 600Kg/m <sup>3</sup>
47		Vermikulitt brennplate bak øvre	Vermiculite Burn Plate Rear Upper	Vermiculite 600Kg/m <sup>3</sup>
48		Vermikulitt side uten glass	Vermiculite Side Without Glass	Vermiculite 600Kg/m <sup>3</sup>
49		Vermikulitt side med glass	Vermiculite Side With Glass	Vermiculite 600Kg/m <sup>3</sup>
50	10026400	Avstandshylse	Distance Sleeve	Steel
51	10024023	Distansehylse Ø8x6 L=27,5	Distancelock Ø8x6 L=27,5	Steel
52	10049384	Skjermplate bak	Heat Deflector Rear	Aluzinc_DX51D_AZ
53	10023998	Hylse Ø10xØ6,2x15	Sleeve Ø10xØ6,2x15	Steel
58	10023540	Skrue sekskant med flens M6x20 DIN 6921	Screw Hex Cap Flange M6x20 DIN 6921	St8.8 / ANSI B18.2
59	10023469	Skrue Seksk M8x20 EIZn DIN 933	Screw Hex M8x20 EIZn DIN 933	St8.8 / ANSI B18.2
60	10023519	Mutter sekskant M8 DIN 934	Nut Hexagon M8 DIN 934	St8.8 / ANSI B18.2
61	10023666	Mutter sekskant med flens M6 DIN 6923	Nut Hexagon Cap Flange M6 DIN 6923	St8.8 / ANSI B18.2
62	10023547	Skrue sekskant med flens M6x35 DIN 6921	Screw Hex Cap Flange M6x35 DIN 6921	St8.8 / ANSI B18.2
63	10023545	Skrue sekskant med flens M6x12 DIN 6921	Screw Hex Cap Flange M6x12 DIN 6921	St8.8 / ANSI B18.2
64	10023586	Skrue senkh innv6k DIN7991 M6x12-10.9	Flat Head Countersunk Socket DIN7991 M6x12-10.9	St10.9
65	10023541	Skrue sekskant med flens M6x16 DIN 6921	Screw Hex Cap Flange M6x16 DIN 6921	St8.8 / ANSI B18.2
66	10023535	Skrue Seksk M6x50 Helgj St8.8 EIZn	Screw Hex M6x50 St8.8 EIZn	St8.8 / ANSI B18.2
67	10023475	Mutter sekskant M6 DIN 934	Nut Hexagon M6 DIN 934	St8.8 / ANSI B18.2
68	10023576	Skrue sett M6X25 DIN916	Threadpin M6X25 DIN916	
69	10023712	Skrue sett M8x30 DIN916	Threadpin M8x30 DIN916	Steel



# Jøtul F 130

F 134 BP (SOKKEL / BASE / WO SIDE WINDOW)  
 F 135 BP (SOKKEL / BASE / W SIDE WINDOW)  
 F 136 BP (SØYLE / PEDESTAL / WO SIDE WINDOW)  
 F 137 BP (SØYLE / PEDESTAL / W SIDE WINDOW)

*BP= Sort lakk/Black Paint, UP= Ulakkert/Unpainted*

Pos. no.	Spareparts	Benevnelse	Description	Dim./Spec.
70		Pakning for Røykstuss og Dekdel røykuttak	Gasket for Smoke Outlet and Smoke Outlet Cover	Gasket FLAT V125-8MMX5 ML 600mm
80		Pakning til dørglass	Gasket For Door Glass	Gasket LD 250-2 graph Ø6,4x1410mm
81		Pakning under glass	Gasket Under Glass	Gasket FLAT V125-8MMX5 ML 40mm
82		Dørpakning	Door Gasket	Gasket 360 Ø8,6X5 M 500mm
83		Dørpakning	Door Gasket	Gasket 360 Ø8,6X5 M 380mm
84		Dørpakning for glassholder	Door Gasket For Glass Holder	Gasket LD 375-2 Ø9,5 880mm
85		Pakning Blindlokk	Gasket Blind Cover	Gasket V-125x8 graph W/A L=20mm
87	10049684	Deksel røykuttak	Smoke Outlet Cover	
88	10049680	Brennkammer enhet	Brennkammer unit	
89	10049681	Ventilkasse	Air box	
90	10049682	Askeskuff	Ash tray	
91	10049683	Røykstuss driplless	Driplless Smoke Outlet	
103	10023650	Skrue sett M6x50 DIN 916	Threadpin M6x50 DIN 916	
13	12051334	Sokkel side høyre BP	Base Side Right BP	Cast Iron min 4mm thickness
14	12051342	Sokkel bunnplate BP	Base Bottom BP	Cast Iron min 4mm thickness
15	12051343	Sokkel side venstre BP	Base Side Left BP	Cast Iron min 4mm thickness
16	12051344	Sokkel deksel uteluft BP	Base Cover For Outside Air BP	Cast Iron min 4mm thickness
17	12051345	Sokkel bakplate BP	Base rear Plate BP	Cast Iron min 4mm thickness
18	12051346	Venstre sideplate uten glass BP	Left Side Plate Without Glass BP	Cast Iron min 4mm thickness
19	12051348	Høyre sideplate uten glass BP	Right Side Plate Without Glass BP	Cast Iron min 4mm thickness
22	12060452	Sokkel brakett UP	Base Bracket UP	Cast Iron min 4mm thickness
48		Vermikulitt side uten glass	Vermiculite Side Without Glass	Vermiculite 600Kg/m <sup>3</sup>
55	10026268	Beskyttelsehette M8 6K sort	Protection Cap M8 Hex Black	Ceramic glass 4mm thick
56	10023780	Skive Ø6,4xØ18x1.6 Elzn DIN 9021	Washer Ø6.4xØ18x1.6 Elzn DIN 9021	Steel
57	10023709	Skrue senkh innv6k M6x30 DIN7991	Flat Head Countersunk Socket M6x30 DIN7991	St8.8 / ANSI B18.2
61	10023666	Mutter sekskant med flens M6 DIN 6923	Nut Hexagon Cap Flange M6 DIN 6923	St8.8 / ANSI B18.2
62	10023547	Skrue sekskant med flens M6x35 DIN 6921	Screw Hex Cap Flange M6x35 DIN 6921	St8.8 / ANSI B18.2
76	10038455	Skrue senkh tre Ø5,0x50 TX	Screw Countersunk Wood Ø5,0x50 TX	
77	10023470	6kt skr M8x25 DIN933 8.8 Elzn	Hex Cap Screw DIN933-M8x25-8.8 Zinc Plated	
78	10049669	Starlock sterk M8	Starlock strong M8	
86		Pakning sideplate uten glass	Gasket Side Plate Without Glass	LD 250-2 graph Ø6,4 950mm
13	12051334	Sokkel side høyre BP	Base Side Right BP	Cast Iron min 4mm thickness
14	12051342	Sokkel bunnplate BP	Base Bottom BP	Cast Iron min 4mm thickness

# Jøtul F 130

**F 134 BP (SOKKEL / BASE / WO SIDE WINDOW)**  
**F 135 BP (SOKKEL / BASE / W SIDE WINDOW)**  
**F 136 BP (SØYLE / PEDESTAL / WO SIDE WINDOW)**  
**F 137 BP (SØYLE / PEDESTAL / W SIDE WINDOW)**

*BP= Sort lakk/Black Paint, UP= Ulakkert/Unpainted*

Pos. no.	Spareparts	Benevnelse	Description	Dim./Spec.
15	12051343	Sokkel side venstre BP	Base Side Left BP	Cast Iron min 4mm thickness
16	12051344	Sokkel deksel uteluft BP	Base Cover For Outside Air BP	Cast Iron min 4mm thickness
17	12051345	Sokkel bakplate BP	Base rear Plate BP	Cast Iron min 4mm thickness
20	12051350	Venstre sidestykke BP	Left Side Plate BP	Cast Iron min 4mm thickness
21	12051351	Høyre sidestykke BP	Right Side Plate BP	Cast Iron min 4mm thickness
22	12060452	Sokkel brakett UP	Base Bracket UP	Cast Iron min 4mm thickness
39	10023561	Skrue sylh innv6k DIN7984 M6x8-8.8	Hex Socket Head Cap Screw DIN7984 M6x8-8.8	St8.8 / ANSI B18.2
42	10049619	Glass sides	Side Glass	Ceramic glass 4mm thick
49		Vermikulitt side med glass	Vermiculite Side With Glass	Vermiculite 600Kg/m <sup>3</sup>
54	12020930	Glassklips	Glass Clip	Stainless Steel
55	10026268	Beskyttelsehette M8 6K sort	Protection Cap M8 Hex Black	Ceramic glass 4mm thick
56	10023780	Skive Ø6,4xØ18x1.6 Elzn DIN 9021	Washer Ø6.4xØ18x1.6 Elzn DIN 9021	Steel
57	10023709	Skrue senkh innv6k M6x30 DIN7991	Flat Head Countersunk Socket M6x30 DIN7991	St8.8 / ANSI B18.2
61	10023666	Mutter sekskant med flens M6 DIN 6923	Nut Hexagon Cap Flange M6 DIN 6923	St8.8 / ANSI B18.2
62	10023547	Skrue sekskant med flens M6x35 DIN 6921	Screw Hex Cap Flange M6x35 DIN 6921	St8.8 / ANSI B18.2
71	10023464	Skive M6 Ø6,4xØ12,5x1.6 St8.8 Elzn DIN 125	Washer M6 Ø6.4xØ12.5x1.6 St8.8 Elzn. DIN 125	St8.8 / ANSI B18.2
76	10038455	Skrue senkh tre Ø5,0x50 TX	Screw Countersunk Wood Ø5,0x50 TX	
77	10023470	6kt skr M8x25 DIN933 8.8 Elzn	Hex Cap Screw DIN933-M8x25-8.8 Zinc Plated	
78	10049669	Starlock sterk M8	Starlock strong M8	
92	10025215	Pakning sideglass L= 800mm	Gasket Side Glass L= 800mm	V-125x8 graph W/A L=800mm
9	12051352	Søyle side høyre BP	Pedestal Side Right BP	Cast Iron min 4mm thickness
10	12051353	Søyle bunn BP	Pedestal Bottom BP	Cast Iron min 4mm thickness
11	12051354	Søyle front BP	Pedestal Front BP	Cast Iron min 4mm thickness
12	12051355	Søyle side venstre BP	Pedestal Side Left BP	Cast Iron min 4mm thickness
18	12051346	Venstre sideplate uten glass BP	Left Side Plate Without Glass BP	Cast Iron min 4mm thickness
19	12051348	Høyre sideplate uten glass BP	Right Side Plate Without Glass BP	Cast Iron min 4mm thickness
48		Vermikulitt side uten glass	Vermiculite Side Without Glass	Vermiculite 600Kg/m <sup>3</sup>
55	10026268	Beskyttelsehette M8 6K sort	Protection Cap M8 Hex Black	Ceramic glass 4mm thick
72	10023667	Mutter sekskant med flens M8 DIN 6923	Nut Hexagon Cap Flange M8 DIN 6923	St8.8 / ANSI B18.2
73	10023665	Skrue sekskant med flens M8x40 DIN 6921	Screw Hex Cap Flange M8x40 DIN 6921	St8.8 / ANSI B18.2
74	10023663	Skrue sekskant med flens M8x25 DIN 6921	Screw Hex Cap Flange M8x25 DIN 6921	St8.8 / ANSI B18.2
75	10023465	Skrue sekskanthode M8x16 DIN 933	Screw Hexagon Cap M8x16 DIN 933	St8.8 / ANSI B18.2
76	10038455	Skrue senkh tre ø5x50 TX	Screw Countersunk Wood Ø5x50 TX	Steel
86		Pakning sideplate uten glass	Gasket Side Plate Without Glass	LD 250-2 graph Ø6,4 950mm
9	12051352	Søyle side høyre BP	Pedestal Side Right BP	Cast Iron min 4mm thickness

## Jøtul F 130

F 134 BP (SOKKEL / BASE / WO SIDE WINDOW)  
 F 135 BP (SOKKEL / BASE / W SIDE WINDOW)  
 F 136 BP (SØYLE / PEDESTAL / WO SIDE WINDOW)  
 F 137 BP (SØYLE / PEDESTAL / W SIDE WINDOW)

*BP= Sort lakk/Black Paint, UP= Ulakkert/Unpainted*

Pos. no.	Spareparts	Benevnelse	Description	Dim./Spec.
10	12051353	Søyle bunn BP	Pedestal Bottom BP	Cast Iron min 4mm thickness
11	12051354	Søyle front BP	Pedestal Front BP	Cast Iron min 4mm thickness
12	12051355	Søyle side venstre BP	Pedestal Side Left BP	Cast Iron min 4mm thickness
20	12051350	Venstre sidestykke BP	Left Side Plate BP	Cast Iron min 4mm thickness
21	12051351	Høyre sidestykke BP	Right Side Plate BP	Cast Iron min 4mm thickness
39	10023561	Skrue sylh innv6k DIN7984 M6x8-8.8	Hex Socket Head Cap Screw DIN7984 M6x8-8.8	St8.8 / ANSI B18.2
42	10049619	Glass sides	Side Glass	Ceramic glass 4mm thick
49		Vermikulitt side med glass	Vermiculite Side With Glass	Vermiculite 600Kg/m <sup>3</sup>
54	12020930	Glassklips	Glass Clip	Stainless Steel
55	10026268	Beskyttelsehette M8 6K sort	Protection Cap M8 Hex Black	Ceramic glass 4mm thick
71	10023464	Skive M6 Ø6,4xØ12,5x1.6 St8.8 ElZn DIN 125	Washer M6 Ø6.4xØ12.5x1.6 St8.8 Elzn. DIN 125	St8.8 / ANSI B18.2
72	10023667	Mutter sekskant med flens M8 DIN 6923	Nut Hexagon Cap Flange M8 DIN 6923	St8.8 / ANSI B18.2
73	10023665	Skrue sekskant med flens M8x40 DIN 6921	Screw Hex Cap Flange M8x40 DIN 6921	St8.8 / ANSI B18.2
74	10023663	Skrue sekskant med flens M8x25 DIN 6921	Screw Hex Cap Flange M8x25 DIN 6921	St8.8 / ANSI B18.2
75	10023465	Skrue sekskanthode M8x16 DIN 933	Screw Hexagon Cap M8x16 DIN 933	St8.8 / ANSI B18.2
76	10038455	Skrue senkh tre ø5x50 TX	Screw Countersunk Wood Ø5x50 TX	Steel
92	10025215	Pakning sideglass L= 800mm	Gasket Side Glass L= 800mm	V-125x8 graph W/A L=800mm
93	50049584	Gulvplate glass for NO/SE/DK/FI	Floor Plate Glass For NO/SE/DK/FI	WxDmm, 6mm thick, tempered
94	50049586	Gulvplate glass for Tyskland	Floor Plate Glass For Germany	
95	51049574	Gulvplate stål for NO/SE/DK/FI	Floor Plate Steel For NO/SE/DK/FI	WxDmm, 1,25mm thick, Black
96	51049582	Gulvplate stål for Tyskland BP	Floor Plate Steel For Germany BP	
97	51012255	Selvlukkende dørmekanisme	Bauart 1 Feder	
104	10049685	Røykstuss DE	Smoke Outlet DE	
	51049717	DE kit	DE kit	
				Drawing: 900193-P03